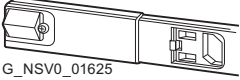
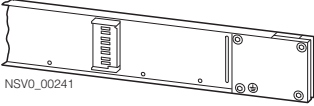






Overview

Busbar trunking systems	Rated current	Rated operational voltage	Frequency	Number of active conductors	Degree of protection	Ambient temperature, min./max.
	A	V AC	Hz			°C
CD-L  G_NSV0_01625	25 40 2 × 25 2 × 40	400	50 ... 60	On one side: 2, 4, 6 On both sides: 2 × 2, 1 × 4 + 1 × 2, 2 × 4, 2 × 6 (PE = enclosure)	IP55	-5/+40
BD01  NSV0_00241	40 63 100 125 160	400	50 ... 60	4 (PE = enclosure)	Up to IP55	-5/+40
BD2A BD2C  NSV0_00421	160 ... 400, 630 ... 1250	690	50 ... 60	5	Up to IP55	-5/+40
LDA1 ... LDA8 LDC2 ... LDC8  NSV0_00681	1100 ... 4000, 2000 ... 5000	1000	50 ... 60	4 or 5	Up to IP54	-5/+40
LXA01 ... LXA10 LXC01 ... LXC10  NSV0_00321	800 ... 4500, 1000.... 6300	1000	50 ... 60	3, 4, 5, 6 (PE = enclosure)	Up to IP55	-5/+40
LRC01 ... LRC29  NSV0_01451	630.... 6300	1000	50 ... 60	4, 5	IP68	-5/+40

Mounting position	Length m	Tap-off points	Tap-off units	Material	Fire load kWh/m	Can be combined with communication-capable tap-off units for
Edgewise	1.5 2 3	On one side: every 0.5; 1 or 1.5 m On two sides: every 0.5; 1 or 1.5 m	Up to 16 A	Insulated Cu conductors, painted sheet-steel enclosure	On one side: 0.75 On both sides: 1.5	--
Edgewise, flat (tap-off points downwards)	2 3	On one side every 0.5 or 1 m	Up to 63 A	Insulated aluminum or copper conductors, painted sheet-steel enclosure	0.76	Lighting control
Edgewise, flat and vertical	0.5 ... 3.25	None On two sides offset every 0.25 or 0.5 m	Up to 630 A	Al or Cu busbars, painted sheet-steel enclosure	0.6 ... 0.67 (without tap-off points)	Lighting control, remote switching, signaling and consumption measurement
Horizontal, edgewise and vertical	0.5 ... 3.2	None On one side every 1 m On two sides every 1 m	Up to 1250 A	Insulated aluminum or copper busbars, painted sheet-steel enclosure	4.16 ... 8.83 (without tap-off points)	Remote switching, signaling and consumption measurement
Horizontal, edgewise and vertical	0.35 ... 3	None On one side every 0.5 m On two sides every 0.5 m	Up to 1250 A	Insulated Al or Cu busbars, painted aluminum enclosure	1.95 ... 11.07 (without tap-off points)	Remote switching, signaling and consumption measurement
Horizontal, edgewise and vertical	0.5 ... 3	None On one side selectable	Up to 630 A	Epoxy resin system, Cu busbars	--	--