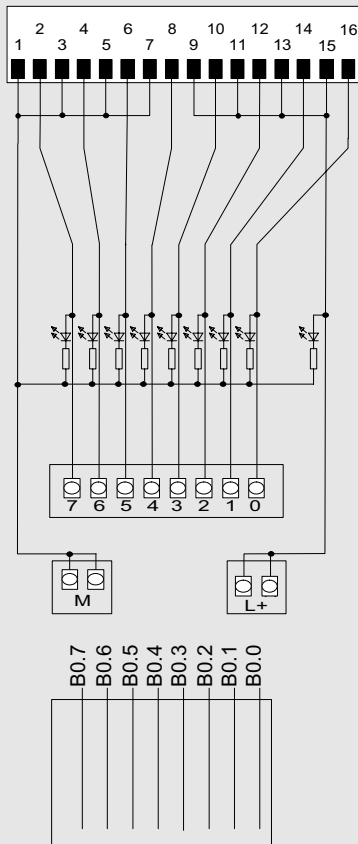


### Circuit diagrams

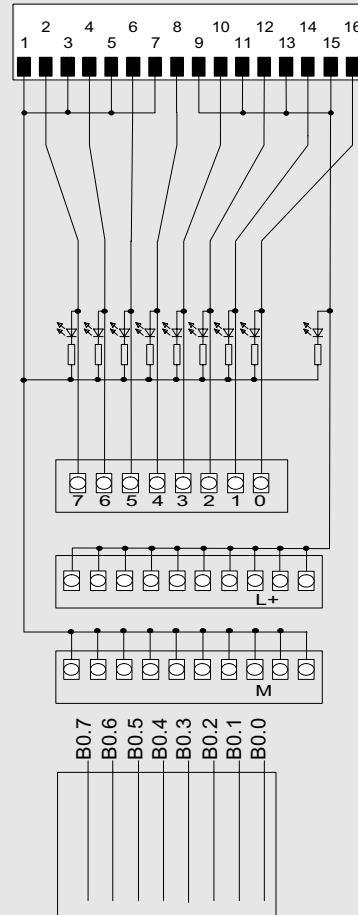
#### Connection module TP1

- 8 I/O, spring connection with LEDs  
6ES7924-0AA10-0BB0 or
- 8 I/O, screw connection with LEDs  
6ES7924-0AA10-0BA0



#### Connection module TP3

- 8 I/O, spring connection with LEDs  
6ES7924-0CA10-0BB0 or
- 8 I/O, screw connection with LEDs  
6ES7924-0CA10-0BA0



# Fully modular connection

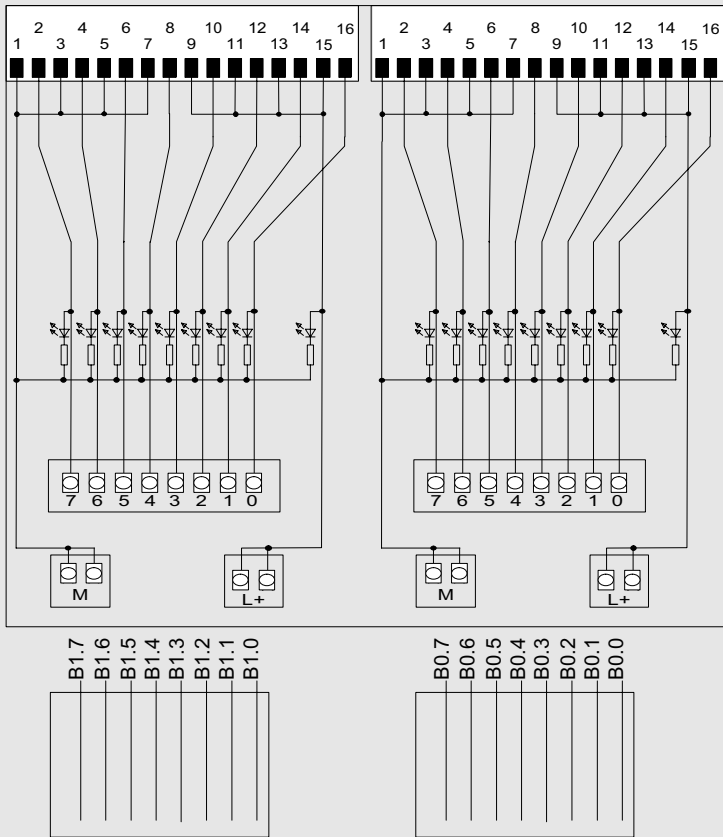
## Connection modules

### Signal module

#### Circuit diagrams

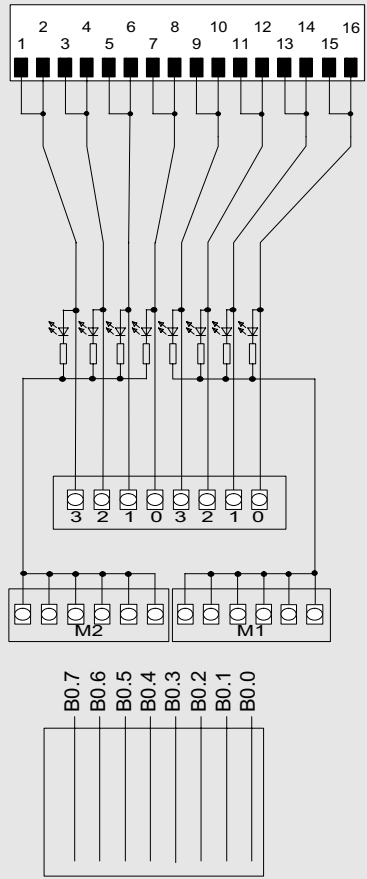
##### Connection module TPK

- 2 x 8 I/O, spring connection with LEDs  
6ES7924-1AA10-0BB0 or
- 2 x 8 I/O, screw connection with LEDs  
6ES7924-1AA10-0BA0



##### Connection module TP2

- 8 outputs, spring connection  
with LEDs 6ES7924-0BB10-0BB0 or
- 8 outputs, screw connection  
with LEDs 6ES7924-0BB10-0BA0



2