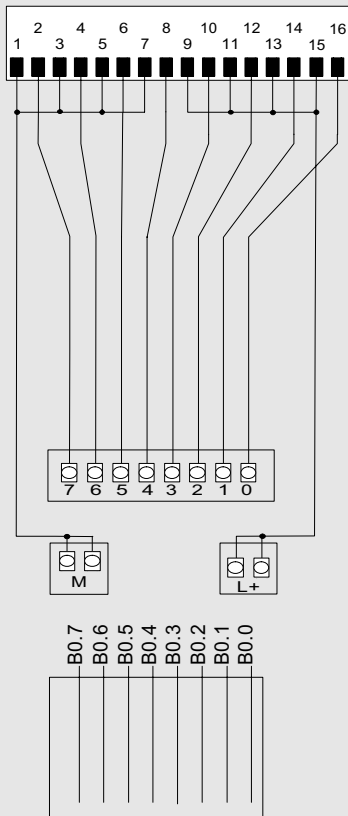


#### Circuit diagrams

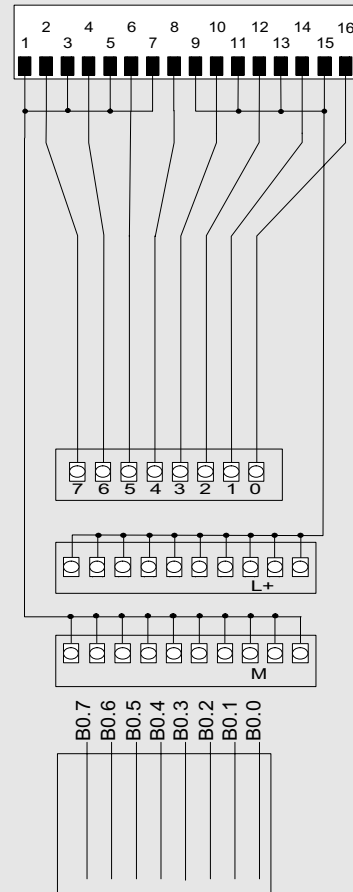
##### Connection module TP1

- 8 I/O, spring connection  
6ES7924-0AA10-0AB0 or
- 8 I/O, screw connection  
6ES7924-0AA10-0AA0



##### Connection module TP3

- 8 I/O, spring connection  
6ES7924-0CA10-0AB0 or
- 8 I/O, screw connection  
6ES7924-0CA10-0AA0



# Fully modular connection

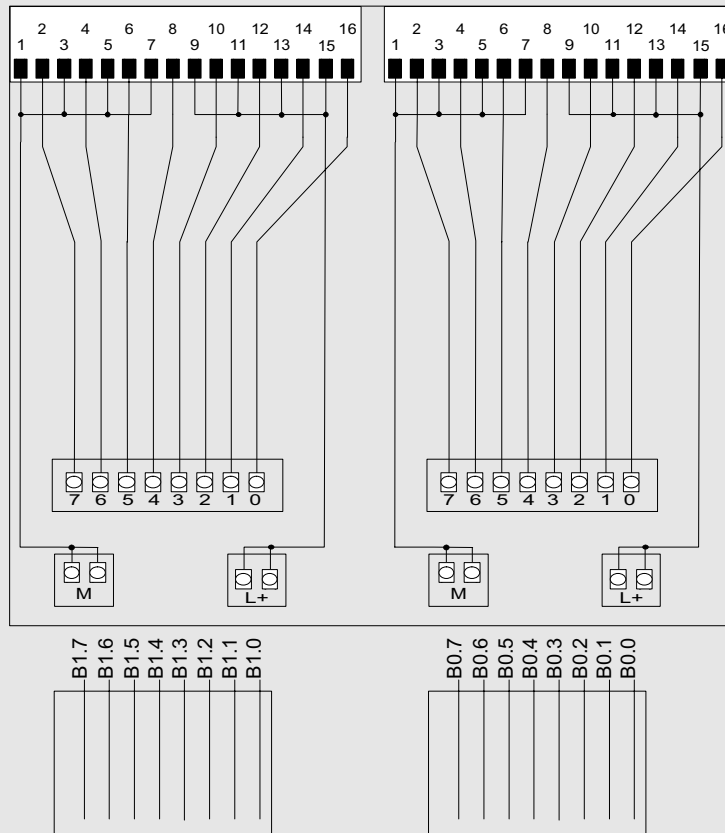
## Connection modules

### Basic module

#### Circuit diagrams

##### Connection module TPK

- 2 x 8 I/O, spring connection  
6ES7924-1AA10-0AB0 or
- 2 x 8 I/O, screw connection  
6ES7924-1AA10-0AA0

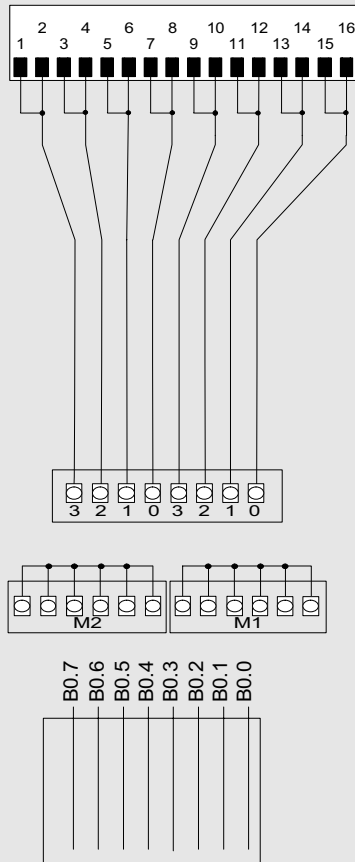


2

#### Circuit diagrams

##### Connection module TP2

- 8 outputs, spring connection  
6ES7924-0BB10-0AB0 or
- 8 outputs, screw connection  
6ES7924-0BB10-0AA0



##### Connection module TPA

- analog I/O, spring connection  
6ES7924-0CC10-0AB0 or
- analog I/O, screw connection  
6ES7924-0CC10-0AA0

