

Compact PLUS/compact and chassis units · cabinet units

SIMOVERT MASTERDRIVES Vector Control Dimension Drawings

Commutating reactor 4EP

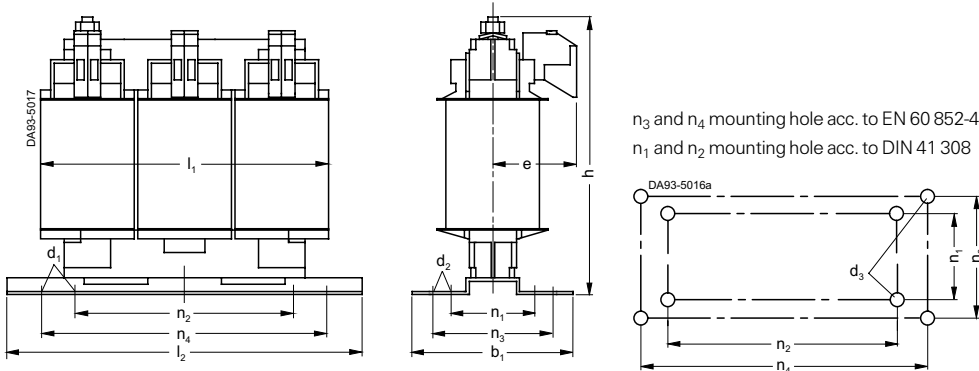


Fig. 27

Commutating reactor 4EP, $I_{LN} \leq 35.5$ A
with terminal connection for any mounting position

Type	b_1	d_1	d_2	d_3	e	h	l_1	l_2	n_1	n_2	n_3	n_4	Weight approx. kg
4EP32	57.5	4.8	9	M4	56	108	78	88.5	34	1)	42.5	79.5	0.7
4EP33	64	4.8	9	M4	55	122	96	124	33	1)	44	112	0.9
4EP34	73	4.8	9	M4	59	122	96	124	42	1)	53	112	1.4
4EP35	68	4.8	9	M4	57	139	120	148	39	90	48	136	1.9
4EP36	78	4.8	9	M4	62	139	120	148	49	90	58	136	2.8
4EP37	73	5.8	11	M5	60	159	150	178	49	113	53	166	3.7
4EP38	88	5.8	11	M5	67	159	150	178	64	113	68	166	5
4EP39	99	7	13	M6	62	181	182	219	56	136	69	201	6.1
4EP40	119	7	13	M6	72	181	182	219	76	136	89	201	8.8

Terminal 8WA9 200
(for $I_{LN} \leq 15$ A)

solid 0.5 mm² to 6.0 mm²
finely stranded 1.5 mm² to 4.0 mm²

Terminal RKW 110 or TRKSD 10
(for $I_{LN} 16$ A to 35.5 A)

solid 1.0 mm² to 16.0 mm²
finely stranded 1.0 mm² to 10.0 mm²

Earthing stud M 6 x 12

solid 2.5 mm² to 10.0 mm²
finely stranded 4.0 mm² to 10.0 mm²

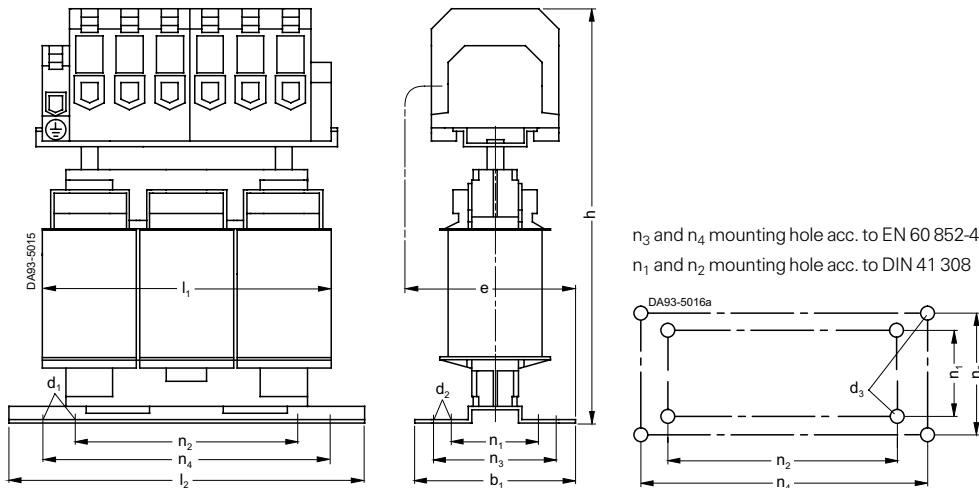


Fig. 28

Commutating reactor 4EP, $I_{LN} 36$ A to 50 A
with terminal connection for any mounting position

Type	b_1	d_1	d_2	d_3	e	h	l_1	l_2	n_1	n_2	n_3	n_4	Weight approx. kg
4EP38	88	5.8	11	M5	86	193	150	178	64	113	68	166	5
4EP39	99	7	13	M6	91.5	220	182	219	56	136	69	201	6.1
4EP40	119	7	13	M6	101.5	220	182	219	76	136	89	201	8.8

Terminal 8WA1 304
(for $I_{LN} 40$ A to 50 A)

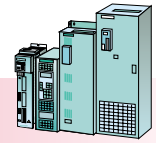
solid 1.0 mm² to 16.0 mm²
stranded 10.0 mm² to 25.0 mm²
finely stranded 2.5 mm² to 16.0 mm²

Earthing terminal
EK 16/35

solid 2.5 mm² to 16.0 mm²
finely stranded 4.0 mm² to 16.0 mm²

1) Fixing hole in the center of the foot.

SIMOVERT MASTERDRIVES Vector Control Dimension Drawings



Commutating reactor 4EP and 4EU

Compact PLUS/compact and
chassis units · cabinet units

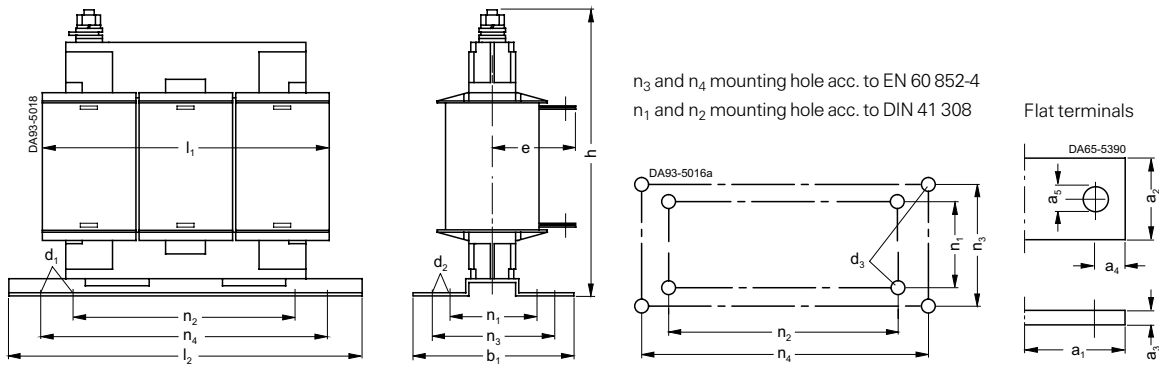


Fig. 29

Commutating reactor 4EP, $I_{LN} \geq 51$ A
with flat terminals, for any mounting position

Type	b_1	d_1	d_2	d_3	e	h	l_1	l_2	n_1	n_2	n_3	n_4	Weight approx. kg
4EP38	88	5.8	11	M5	76	153	150	178	64	113	68	166	5
4EP39	99	7	13	M6	73	179	182	219	56	136	69	201	6.5
4EP40	119	7	13	M6	83	179	182	219	76	136	89	201	10

Rated current I_{LN} A	a_1	a_2	a_3	a_4	a_5
51 to 80	30	20	3	10	9
81 to 200	35	25	5	12.5	11

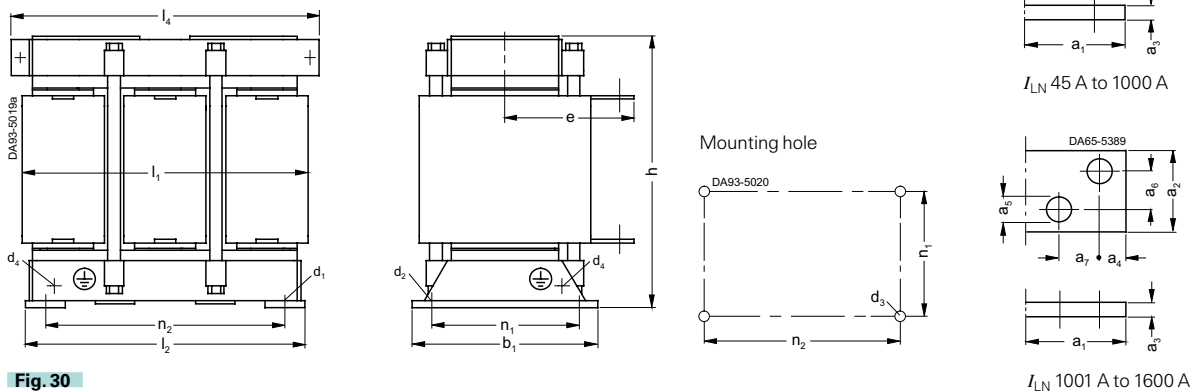
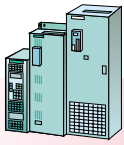


Fig. 30

Commutating reactors 4EU
with flat terminals, for arrangement on horizontal surfaces

Type	b_1	d_1	d_2	d_3	d_4	e max.	h max.	l_1	l_2	l_4	n_1	n_2	Weight approx. kg
4EU24	91	7	13	M6	M6	102	210	225	190	—	70	176	11.9
4EU25	115	7	13	M6	M6	119	210	225	190	—	94	176	18
4EU27	133	10	18	M8	M6	142	248	260	220	270	101	200	28.2
4EU30	148	10	18	M8	M6	147	269	295	250	300	118	224	40.3
4EU36	169	10	18	M8	M8	197	321	357	300	350	138	264	61
4EU39	174	12	18	M10	M6	197	385	405	366	410	141	316	78
4EU43	194	15	22	M12	M6	212	435	458	416	460	155	356	117
4EU45	221	15	22	M12	M6	211	435	458	416	460	182	356	140
4EU47	251	15	22	M12	M6	231	435	458	416	460	212	356	160
4EU50	195	12.5	12.5	M10	M12	220	565	533	470	518	158	410	182
4EU52	220	12.5	12.5	M10	M12	242	565	533	470	518	183	410	216

Rated current I_{LN} A	a_1	a_2	a_3	a_4	a_5	a_6	a_7
45 to 80	20	20	3	10	9	—	—
81 to 200	25	25	5	12.5	11	—	—
201 to 315	30	30	6	15	14	—	—
316 to 800	40	40	6	20	14	—	—
801 to 1000	40	40	8	20	14	—	—
1001 to 1600	60	60	12	17	14	26	26



SIMOVERT MASTERDRIVES Vector Control Dimension Drawings

Compact and chassis units
Cabinet units

Autotransformers for regenerative feedback
with 25 % and 100 % power-on duration

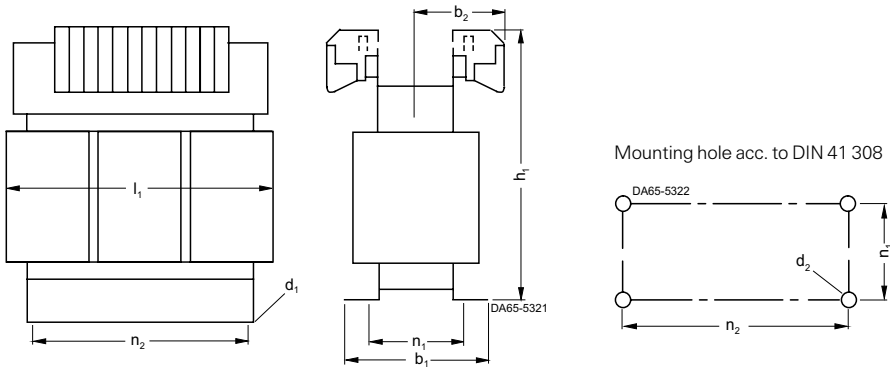


Fig. 31

Autotransformers 4AP25 to 4AP30
for any mounting position

Type	Designation acc. to DIN 41 302	b ₁	b ₂	d ₁	d ₂	h ₁	l ₁	n ₁	n ₂	Weight approx. kg
4AP25	3UI 114/62	115	85	7.4	M 6	214	229	94	176	19
4AP27	3UI 132/70	133	89	10	M 8	241	264	101	200	26
4AP30	3UI 150/75	148	92	10	M 8	270	300	118	224	37

Screw terminals

24 A: solid 0.5 to 6 mm²
finely stranded 0.5 to 4 mm²

58 A: solid or
stranded 1 to 25 mm²
finely stranded 2.5 to 16 mm²

94 A: solid or
stranded 4 to 50 mm²

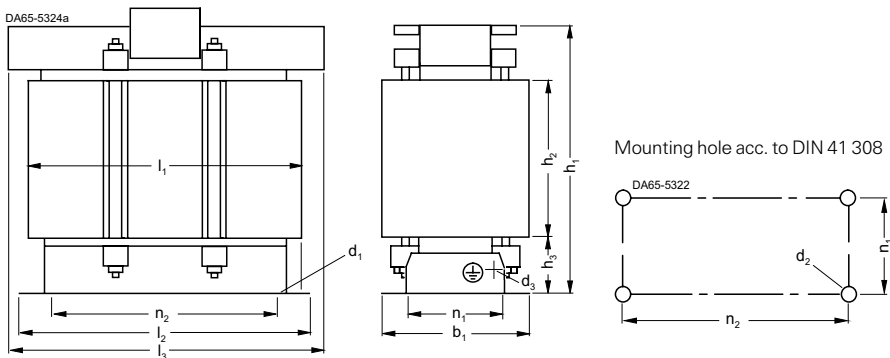
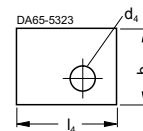


Fig. 32

Autotransformers 4AU36 to 4AU39
with flat terminals, for any mounting position

Permissible constant load for mounting position on vertical surfaces:
0.95 · P_s at t_a = 55 °C
P_s at t_a = 45 °C

Flat terminals



Form	Nominal current A	b ₂	d ₄	l ₄
A	100	16	7	25
A	200	20	9	35
A	400	25	11	35

Type	Designation acc. to DIN 41 302	b ₁	d ₁	d ₂	d ₃	h ₁	h ₂	h ₃	l ₁	l ₂	l ₃	n ₁	n ₂	Weight approx. kg
4AU36	3UI 180/75	169	10	M 8	M 6	320	150	60	360	314	360	138	264	59
4AU39	3UI 210/70	174	12	M 10	M 6	370	180	66	420	366	410	141	316	81

SIMOVERT MASTERDRIVES Vector Control Dimension Drawings

Autotransformers for regenerative feedback with 25 % and 100 % power-on duration

Compact and chassis units
Cabinet units

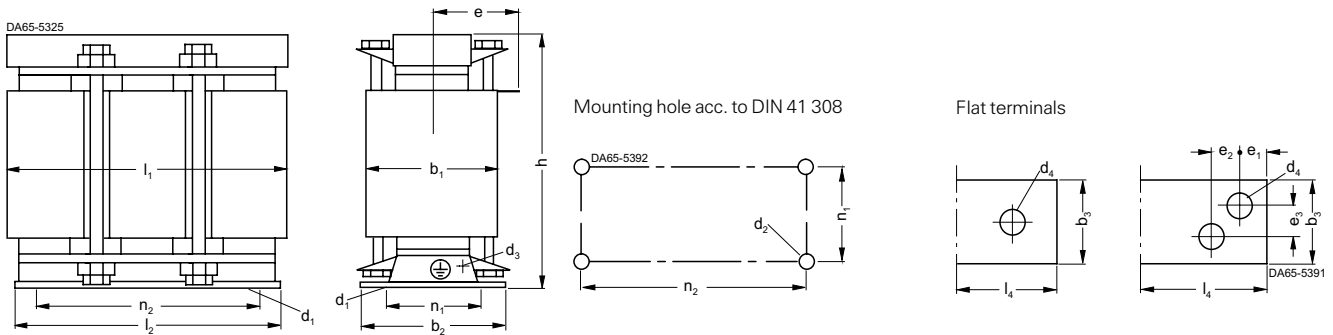
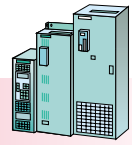


Fig. 33

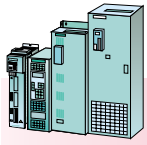
Autotransformers 4BU

with flat terminals, for arrangement on horizontal surfaces

Form	Nominal current A	b ₃	d ₄	e ₁	e ₂	e ₃	l ₄
A	200	20	9	–	–	–	35
A	400	25	11	–	–	–	35
A	630	30	11	–	–	–	40
A	800	30	14	–	–	–	40
A	1000	40	14	–	–	–	50
C	1250	50	14	14	22	22	60
C	1600	60	14	17	26	26	70

above 1600 A on request

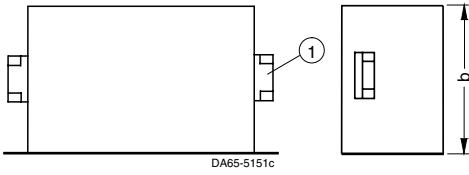
Type	Designation acc. to DIN 41 302	b ₁	b ₂	d ₁	d ₂	d ₃	h	l ₁	l ₂	n ₁	n ₂	Weight approx. kg
4BU43	3UI 240/ 80	194	194	15 x 22	M 12	M 6	420	480	416	155	356	108
4BU45	3UI 240/107	221	221	15 x 22	M 12	M 6	420	480	416	182	356	135
4BU47	3UI 240/137	251	251	15 x 22	M 12	M 6	420	480	416	212	356	170
4BU51	3UIS 265/107	267	207	12.5	M 10	M 12	515	555	470	170	410	180
4BU52	3UIS 265/120	280	220	12.5	M 10	M 12	515	555	470	183	410	200
4BU53	3UIS 265/135	295	235	12.5	M 10	M 12	515	555	470	198	410	220
4BU54	3UIS 305/125	295	245	15	M 12	M 12	585	630	540	198	470	280
4BU55	3UIS 305/140	310	260	15	M 12	M 12	585	630	540	213	470	310
4BU56	3UIS 305/160	330	280	15	M 12	M 12	585	630	540	233	470	370
4BU58	3UIS 370/150	330	290	15	M 12	M 12	665	780	660	241	580	440
4BU59	3UIS 370/170	350	310	15	M 12	M 12	665	780	660	261	580	480
4BU60	3UIS 370/195	375	335	15	M 12	M 12	665	780	660	286	580	600
4BU62	3UIS 455/175	405	315	21	M 16	M 12	760	975	820	261	720	720
4BU63	3UIS 455/200	430	340	21	M 16	M 12	760	975	820	298	720	860
4BU64	3UIS 455/230	460	370	21	M 16	M 12	760	975	820	323	720	1040
4BU65	3UIS 455/260	490	400	21	M 16	M 12	760	975	820	353	720	1170



Compact PLUS/compact and
chassis units · cabinet units

SIMOVERT MASTERDRIVES Vector Control Dimension Drawings

Radio-interference suppression filter



Type	a	b	h	h ₁	h ₂
6SE7012-0EP87-0FB0	44.5	110	290	250	275
6SE7016-0EP87-0FB0	67	130	310	270	295

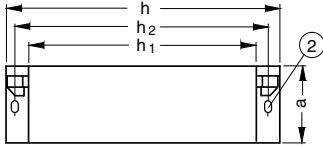


Fig. 34

Radio-interference suppression filter
6SE7012-0EP87-0FB0, 6SE7016-0EP87-0FB0,
6SE7012-0EP87-0FB1, 6SE7016-0EP87-0FB1

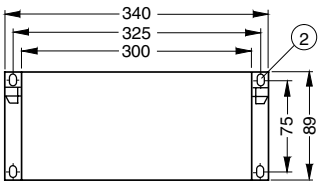
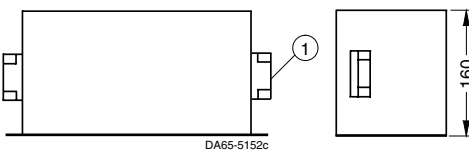
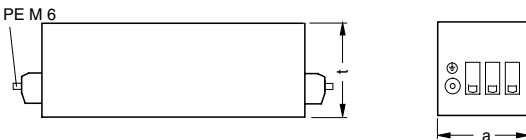


Fig. 35

Radio-interference suppression filter
6SE7021-2EP87-0FB0, 6SE7021-8EP87-0FB0,
6SE7021-2EP87-0FB1, 6SE7021-8EP87-0FB1



Type	a	b ₁	h	h ₁	h ₂	h ₃	t	Terminals	Earthing stud	Weight approx. kg
6SE7021-0ES87-0FB1	90	75	215	166	196	182	81	4 mm ² 1)	M 6	2.5
6SE7021-8ES87-0FB1	90	75	215	166	196	182	81	4 mm ² 1)	M 6	2.5
6SE7023-4ES87-0FB1	101	85	231	166	196	182	86	16 mm ²	M 6	4
6SE7027-2ES87-0FB1	141	120	308	221	256	240	141	50 mm ²	M 10	9

Fig. 36

Radio-interference suppression filter
6SE7021, 6SE7023, 6SE7027

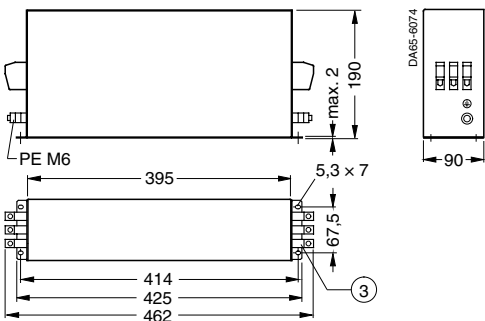
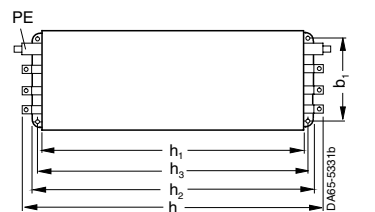


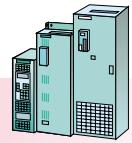
Fig. 37

Radio-interference suppression filter
6SE7023-8EP87-0FB0, 6SE7023-8EP87-0FB1

① Power COMBICON
② Oblong hole 5.5 x 7.5
③ Terminals 16 mm²

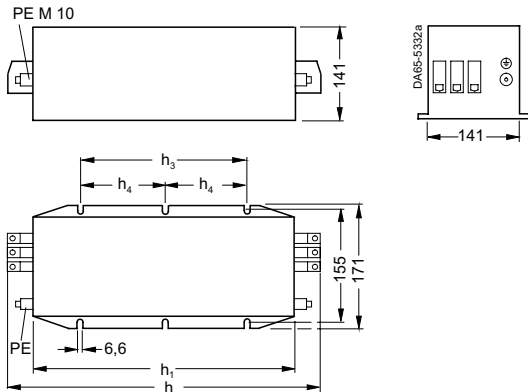
1) Dependent on the manufacturer 6 mm² also possible.

SIMOVERT MASTERDRIVES Vector Control Dimension Drawings



Radio-interference suppression filter

Compact and chassis units Cabinet units



Type	h	h ₁	h ₃	h ₄	Terminals	Earthing Stud	Weight approx. kg
6SE7031-2ES87-0FA1	348	261	115	-	50 mm ²	M 10	10
6SE7031-8ES87-0FA1	404	301	165	82.5	95 mm ²	M 10	10

Fig. 38

Radio-interference suppression filter 6SE7031

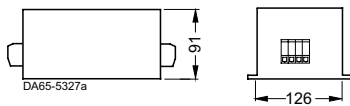
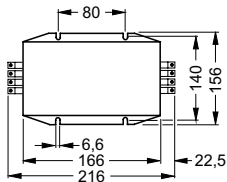


Fig. 39

**Radio-interference suppression filter
B84143-A25-R21/A36-R21/A50-R21**
Terminals 10 mm²



Type	h	h ₁	Terminals	Weight approx. kg
B8143-A80-R21	300	221	25 mm ²	10
B8143-A120-R21/A150-R21	348	261	50 mm ²	10

Fig. 40

**Radio-interference suppression filter
B84143-A80-R21
B84143-A120-R21/A150-R21**

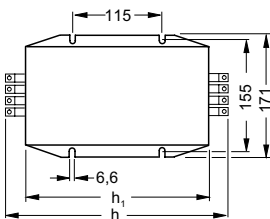
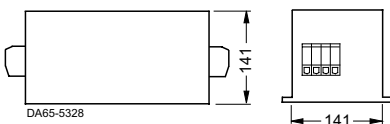
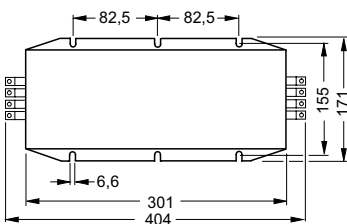
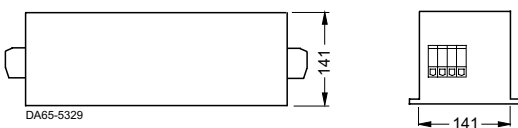
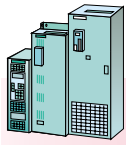


Fig. 41

**Radio-interference suppression filter
B84143-A180-R21
6SE7031-8ES87-0FA1**
Terminals 95 mm²





Compact and chassis units
Cabinet units

SIMOVERT MASTERDRIVES Vector Control Dimension Drawings

Radio-interference suppression filter

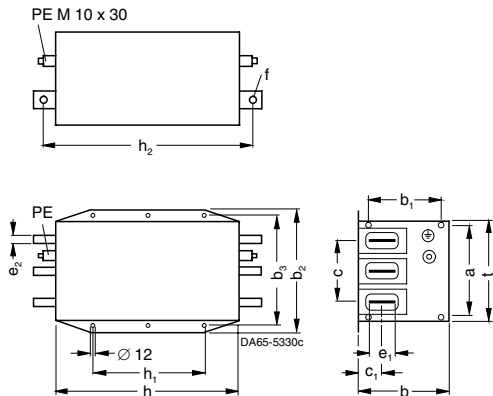


Fig. 42

Radio-interference suppression filter
B84143-B250-S.../A320-S.../
B600-S.../B1000-S...
6SE7033, 6SE7036, 6SE7041

Type	a	b	b ₁	b ₂	b ₃	c	c ₁	e
B84143-B250-S...	110	115	-	190	165	80	30	15
B84143-A320-S...	180	116	85	260	235	120	36	15
6SE7033-2ES87-0FA1								
B84143-B600-S...	180	116	85	260	235	120	36	15
6SE7036-0ES87-0FA1								
B84143-B1000-S...	220	166	135	300	275	160	61	20
6SE7041-0ES87-0FA1								

Type	e ₁	e ₂	f	h	h ₁	h ₂	Weight approx. kg
B84143-B250-S...	25	5	Ø 11	300	240	360	15
B84143-A320-S...	25	5	Ø 11	300	240	360	21
6SE7033-2ES87-0FA1							
B84143-B600-S...	30	5	Ø 11	350	290	410	22
6SE7036-0ES87-0FA1							
B84143-B1000-S...	40	8	Ø 14	350	290	420	28
6SE7041-0ES87-0FA1							

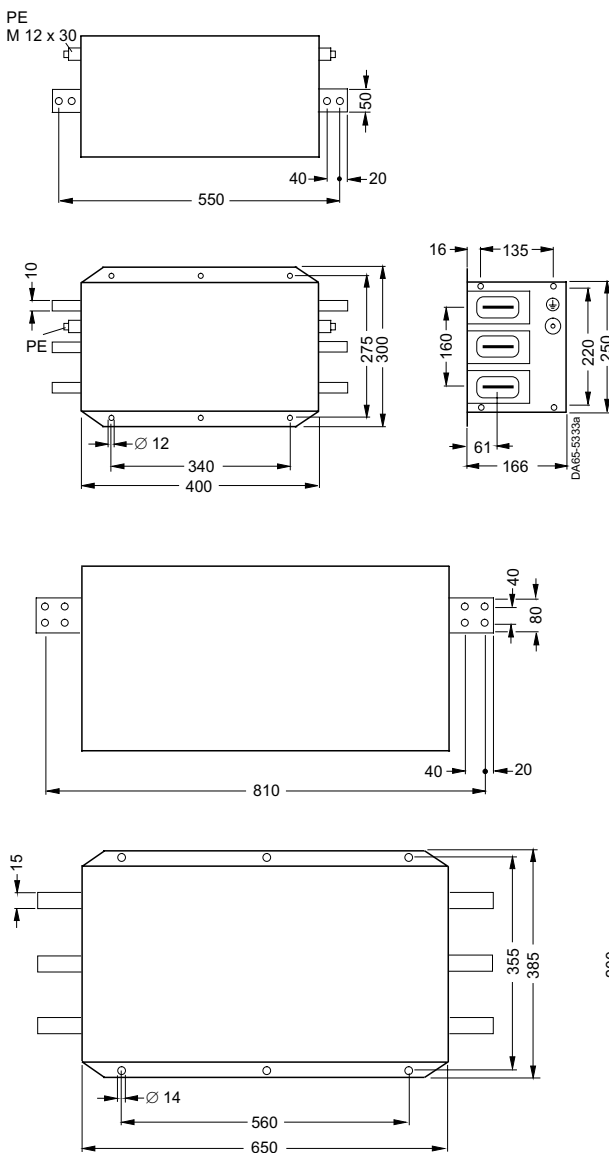


Fig. 43

Radio-interference suppression filter
B84143-B1600-S...
6SE7041-6ES87-0FA1
Weight approx. 34 kg

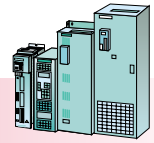
Fig. 44

Radio-interference suppression filter
B84143-B2500-S...
Weight approx. 105 kg

SIMOVERT MASTERDRIVES Vector Control Dimension Drawings

DC link module, capacitor module
Precharging resistors

Compact PLUS/compact and
chassis units · cabinet units



DC link module and capacitor module

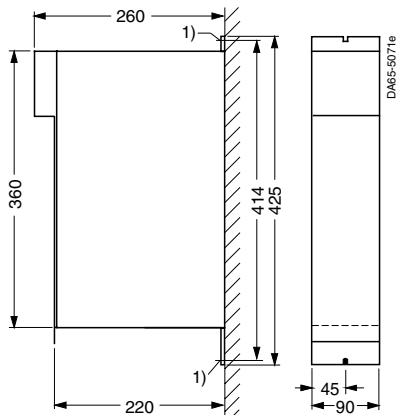


Fig. 45

Precharging resistors

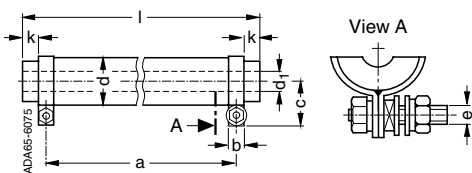


Fig. 46

Type	d	l	a	b	c	d ₁	e	k	Weight approx. kg
6SX7010-0AC06	11.8 ^{+0.8}	62 ⁺²	51 ⁺²	5	11.5	5.5	M3 x 12	3	0.013
6SX7010-0AC07	14.8 ^{+0.8}	100 ⁺²	87 ⁺²	5	13	5.5	M3 x 12	4	0.033
6SX7010-0AC08	22.3 ^{+1.3}	100 ⁺²	71 ⁺²	8	18.5	10	M4 x 18	10.5	0.08
6SX7010-0AC10	22.3 ^{+1.3}	165 ⁺²	136 ⁺²	8	18.5	10	M4 x 18	10.5	0.113
6SX7010-0AC11	22.3 ^{+1.3}	265 ⁺⁴	236 ⁺²	8	18.6	10	M4 x 18	10.5	0.194

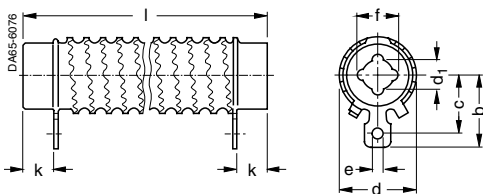
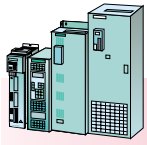


Fig. 47

Type	d	l	k	e	b	c	d ₁	f	Weight approx. kg
6SX7010-0AC12	37 ⁺¹	100 ^{+2.5}	15	5.2	34	28	14	18.5	0.2
6SX7010-0AC13	37 ⁺¹	215 ^{+5.4}	15	5.2	34	28	14	18.5	0.4



Compact PLUS/compact and chassis units · cabinet units

SIMOVERT MASTERDRIVES Vector Control Dimension Drawings

Output reactors (iron)

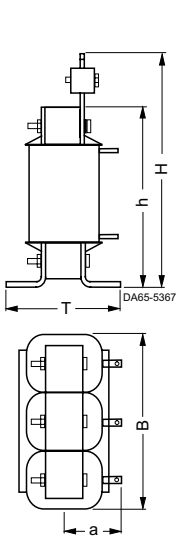


Fig. 49

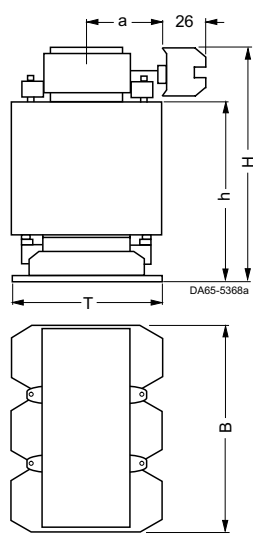


Fig. 50

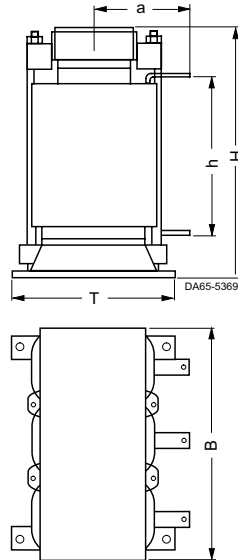


Fig. 51

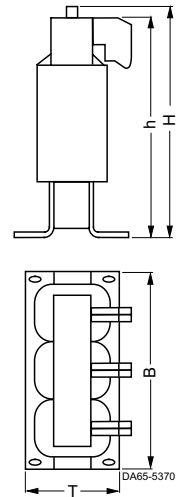
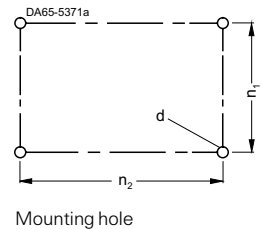


Fig. 52

Output reactors for mounting on horizontal surfaces

Type	Fig. No.	B	H	T	a	h	Weight approx. kg	n_1	n_2	d
6SE7013-0ES87-1FE0	52	124	122	73	-	-	1	42	-1)	M 4 ²⁾
6SE7015-0ES87-1FE0	52	148	139	78	-	-	2.2	49	90	M 4 ²⁾
6SE7016-1ES87-1FE0	52	178	153	73	-	146	4.4	53	166	M 5 ²⁾
6SE7016-2FS87-1FE0	52	267	221	107	-	204	14.5	77	249	M 6 ²⁾
6SE7021-0ES87-1FE0	52	178	153	88	-	146	5.5	68	166	M 5 ²⁾
6SE7021-5FS87-1FE0	50	207	220	104	55	-	20	70.5	176.5	M 6
6SE7021-8ES87-1FE0	52	219	180	99	-	168	8	69	201	M 6 ²⁾
6SE7022-6ES87-1FE0	52	219	180	119	-	181	9.2	89	201	M 6 ²⁾
6SE7023-4ES87-1FE0	52	267	221	107	-	216	11	77	249	M 6 ²⁾
6SE7024-7ES87-1FE0	51	197	220	104	69	103	20	70	176	M 6
6SE7026-0HS87-1FE0	51	235	250	146	98	-	30	101	200	M 8
6SE7027-2ES87-1FE0	49	267	221	107	77	206	11	77	249	M 6 ²⁾
6SE7028-2HS87-1FE0	51	264	280	155	101	-	45	18	224	M 8
6SE7031-0ES87-1FE0	49	267	221	107	77	206	17	77	249	M 6
6SE7031-2HS87-1FE0	51	314	335	169	109	-	60	138	264	M 8
6SE7031-5ES87-1FE0	51	197	220	128	81	100	25	94	176	M 6
6SE7031-7HS87-1FE0	51	314	335	169	109	-	60	138	264	M 8
6SE7031-8ES87-1FE0	51	281	250	146	98	119	30	101	200	M 8
6SE7032-3HS87-1FE0	51	367	385	174	112	-	80	141.5	316.5	M 10
6SE7032-6ES87-1FE0	51	281	250	146	111	121	30	101	200	M 8
6SE7033-2ES87-1FE0	51	311	280	155	114	139	45	118	224	M 8
6SE7033-7ES87-1FE0	51	264	280	155	101	-	45	118	224	M 8
6SE7035-1ES87-1FE0	51	310	280	155	106	150	45	118	224	M 8
6SE7037-0ES87-1FE0	51	360	335	169	114	180	60	138	264	M 8
6SE7038-6ES87-1FE0	51	410	385	174	127	210	80	141	316	M 10
6SE7022-2FS87-1FE0	50	207	220	128	66	-	25	94.5	176.5	M 6
6SE7023-4FS87-1FE0	51	197	220	104	72	114	20	70	176	M 6
6SE7024-7FS87-1FE0	51	197	220	128	81	93	25	128	176	M 6
6SE7033-0GS87-1FE0	51	417	435	194	118	-	120	155.5	356.5	M 12
6SE7033-5GS87-1FE0	51	417	435	194	118	-	120	155.5	356.5	M 12
6SE7034-5GS87-1FE0	51	417	435	251	147	240	160	212.5	356.5	M 12
6SE7035-7GS87-1FE0	51	533	565	207	-	-	170	170.5	411	M 10
6SE7036-5GS87-1FE0	51	533	565	235	-	-	220	198.5	411	M 10
6SE7038-6GS87-1FE0	51	608	650	245	-	-	280	195.5	471	M 12
6SE7041-1ES87-1FE0	51	420	380	233	160	255	100	203	316	M 10
6SE7041-2GS87-1FE0	51	608	650	310	240	385	310	213	470	M 12

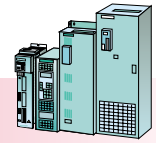


Mounting hole

1) Fixing hole in the center of the foot.

2) For any mounting position.

SIMOVERT MASTERDRIVES Vector Control Dimension Drawings



Output reactor (ferrite)

Compact PLUS/compact and chassis units · cabinet units

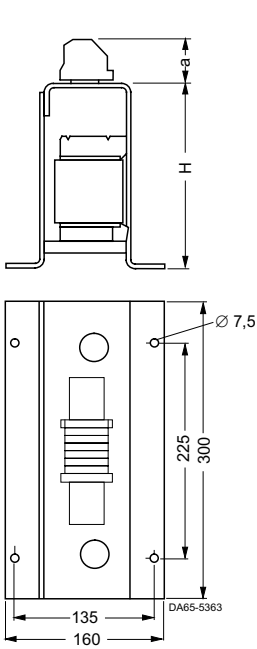


Fig. 53

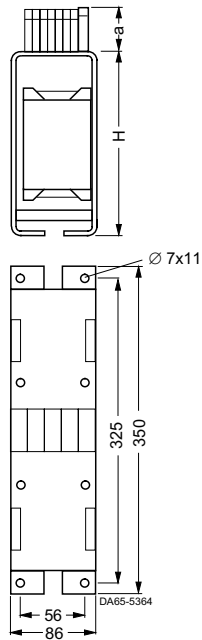
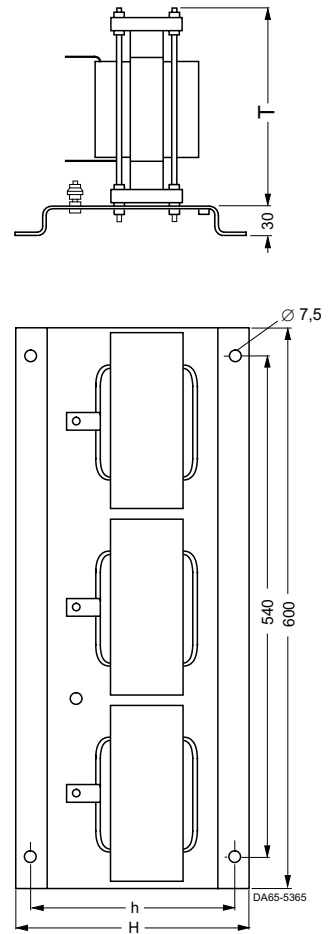


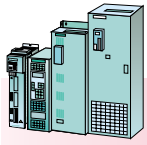
Fig. 54



T = D

Fig. 55

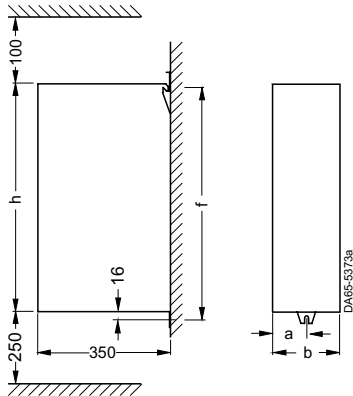
Type	Fig. No.	a	H	h	D	Weight approx. kg
6SE7021-1CS87-1FF0	53	50	184	-	-	4.5
6SE7021-3CS87-1FF0	53	50	184	-	-	4.5
6SE7021-8CS87-1FF0	53	50	184	-	-	5.8
6SE7022-3CS87-1FF0	53	50	184	-	-	6
6SE7023-2CS87-1FF0	53	50	184	-	-	4.8
6SE7024-4CS87-1FF0	53	50	184	-	-	6
6SE7027-0CS87-1FF0	53	50	184	-	-	7.4
6SE7028-1CS87-1FF0	53	50	280	-	-	8.8
6SE7016-1ES87-1FF1	54	50	230	-	-	8.5
6SE7021-0ES87-1FF1	54	50	230	-	-	8.5
6SE7021-8ES87-1FF1	54	50	230	-	-	8.5
6SE7022-6ES87-1FF0	53	50	280	-	-	9.5
6SE7023-4ES87-1FF0	53	50	280	-	-	12
6SE7024-7ES87-1FF0	53	60	280	-	-	16.4
6SE7027-2ES87-1FF0	53	50	280	-	-	14
6SE7031-0ES87-1FF0	53	60	280	-	-	16.7
6SE7016-2FS87-1FF0	53	50	280	-	-	13
6SE7021-5FS87-1FF0	53	50	280	-	-	14
6SE7031-5ES87-1FF0	55	-	255	225	260	23
6SE7031-8ES87-1FF0	55	-	255	225	260	31
6SE7022-2FS87-1FF0	55	-	255	225	260	19
6SE7023-4FS87-1FF0	55	-	255	225	260	21
6SE7024-7FS87-1FF0	55	-	255	225	260	27
6SE7032-6ES87-1FF0	55	-	295	270	260	32
6SE7033-2ES87-1FF0	55	-	295	270	260	41
6SE7033-7ES87-1FF0	55	-	295	270	260	45
6SE7035-1ES87-1FF0	55	-	295	270	280	52
6SE7037-0ES87-1FF0	55	-	295	270	280	65
6SE7038-6ES87-1FF0	55	-	385	360	260	81



Compact PLUS/compact and chassis units · cabinet units

SIMOVERT MASTERDRIVES Vector Control Dimension Drawings

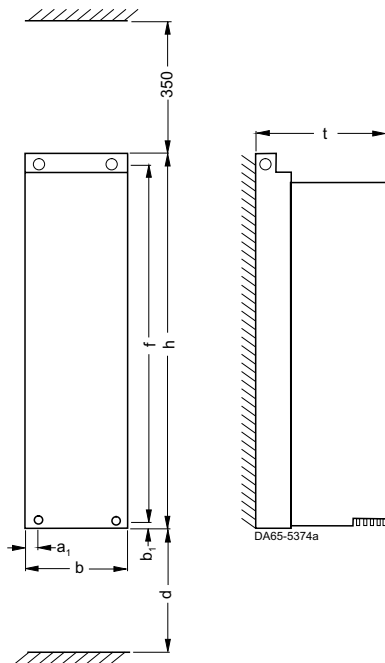
Voltage limiting filters



Type	a ¹⁾	b	f	h	Weight approx. kg
dv/dt filter, sine filter					
6SE70...A	45	90	425	425	13
6SE70...B	67.5	135	425	425	20
6SE70...C	90	180	600	600	37
6SE70...D	45	270	600	600	56

Fig. 56

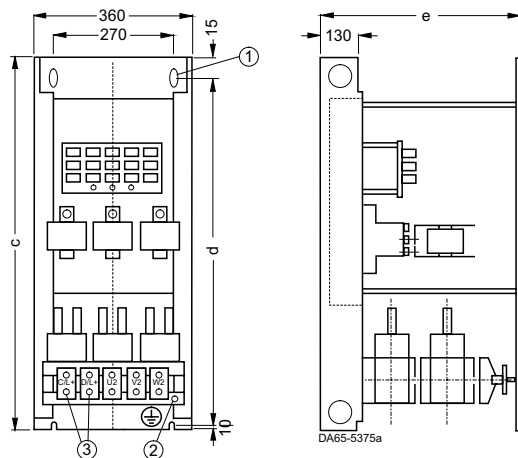
**dv/dt filter and sine filter
6SE70...A to 6SE70...D**



Type	a ²⁾	b	b ₁	d	f	h	t	Weight approx. kg
Sine filter								
6SE70...E	45	270	10	400	1025	1050	350	90
6SE70...F	45	360	10	400	1025	1050	350	130
6SE70...G	119	508	25	320	1425	1450	450	170
dv/dt filter								
6SE70...E	45	270	10	400	1025	1050	350	55
6SE70...S ³⁾	45	270	10	400	1425	1450	450	95

Fig. 57

**dv/dt filter and sine filter
6SE70...E to 6SE70...G, 6SE70...S**



Type	c	d	e
6SE70...3...S	675	650	370
6SE70...4...S	675	650	490
6SE70...5...S	675	650	490
6SE70...6...S	1050	1025	490
6SE70...7...S	1050	1025	490
6SE70...8...S	1050	1025	490

- ① For M8 screws
- ② Earthing stud
- ③ DC link

Fig. 58

Limiting network for dv/dt filter

At rated currents ≥ 297 A, the voltage limiting filter consists of a limiting network and a reactor.

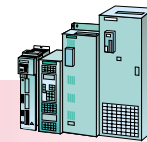
1) For frame size D two lugs left and right.

2) Two lugs left and right.

3) 6SE7031-...HS87-1FD0,
6SE7032-...HS87-1FD0

SIMOVERT MASTERDRIVES Vector Control

Dimension Drawings



Voltage limiting filters

Compact PLUS/compact and chassis units · cabinet units

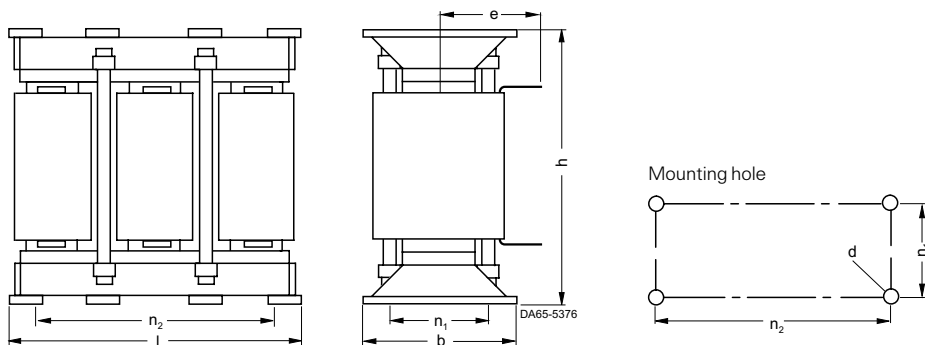


Fig. 59

6SE70 . 3- . . S reactor to 6SE70 . 8- . . S for dv/dt filter

Type	b	d	e	h	l	n ₁	n ₂
6SE70 . 3- . . S	194	M 12	133	435	416	155	356
6SE70 . 4- . . S	251	M 12	159	435	416	212	356
6SE70 . 5- . . S	207	M 10	186	565	470	170	410
6SE70 . 6- . . S	235	M 10	212	565	470	198	410
6SE70 . 8- . . S	245	M 12	217	650	540	198	470