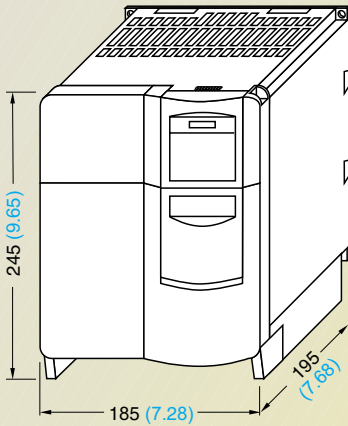


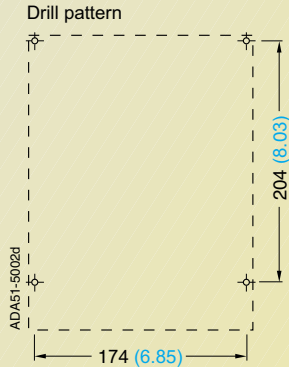
MICROMASTER 430 inverter

Frame size	3 AC 380 V to 480 V
C	7.5 kW to 15 kW
D	18.5 kW to 30 kW
E	37 kW to 45 kW

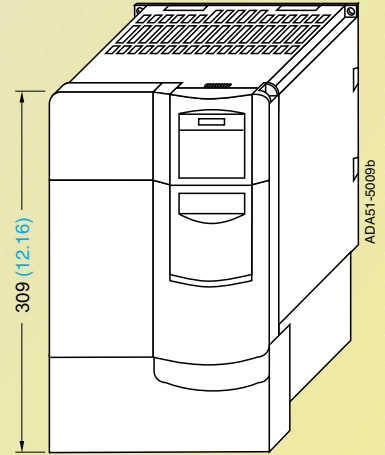
Note:
*The inverters must not be mounted horizontally.
 But the inverters can be mounted without lateral spacing.*



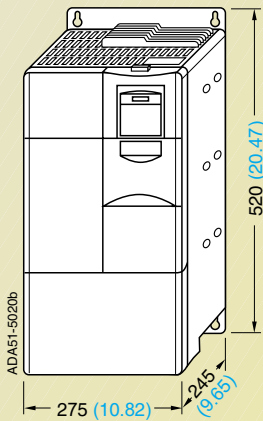
Inverter frame size C



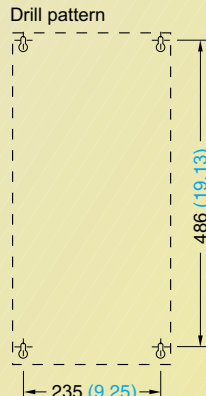
Fixing with
 4 x M5 bolts
 4 x M5 nuts
 4 x M5 washers
 Tightening torque with washers fitted:
 3.0 Nm
 Ventilation clearance required at top
 and bottom: 100 mm



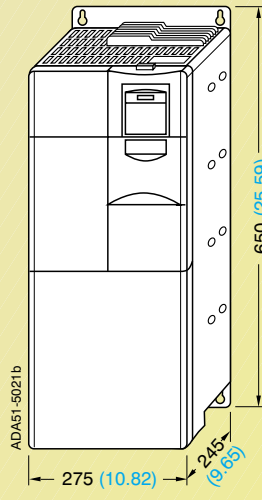
**Inverter frame size C
 with gland plate**



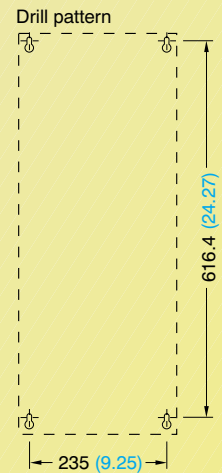
Inverter frame size D



Fixing with
 4 x M8 bolts
 4 x M8 nuts
 4 x M8 washers
 Tightening torque with
 washers fitted: 13 Nm
 Ventilation clearance
 required at top and bottom:
 300 mm



Inverter frame size E



Fixing with
 4 x M8 bolts
 4 x M8 nuts
 4 x M8 washers
 Tightening torque with
 washers fitted: 13 Nm
 Ventilation clearance
 required at top and bottom:
 300 mm

With the communication module, the mounting depth increases
 for frame size C by 23 mm (0.91 inches).

All dimensions in mm (values in brackets are in inches)

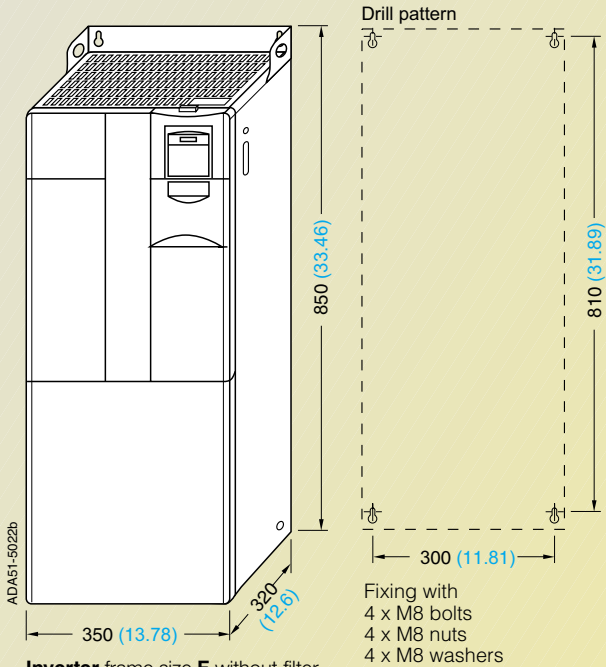
MICROMASTER 430

Dimension drawings

MICROMASTER 430 inverter

Frame size	3 AC 380 V to 480 V
F	55 kW to 90 kW

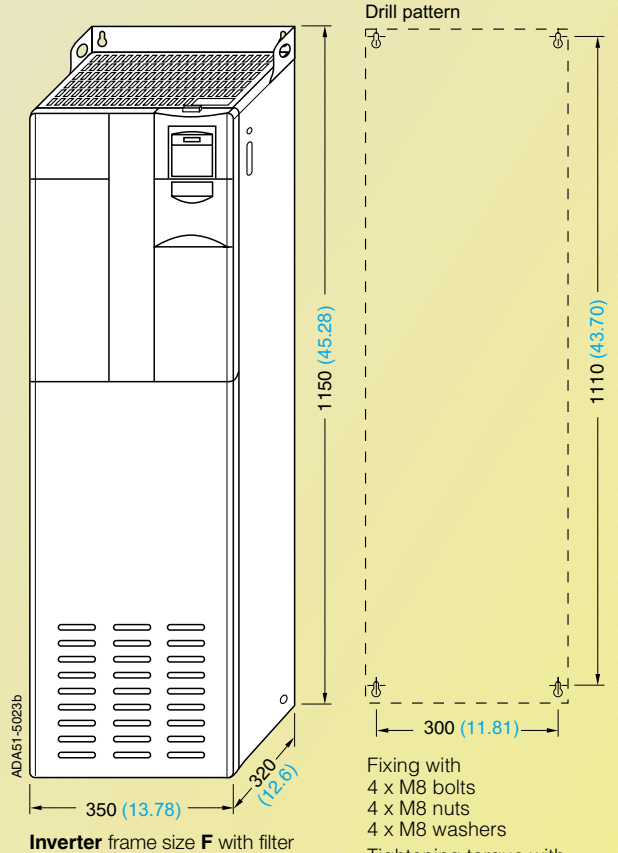
Note:
The inverters must not be mounted horizontally.
But the inverters can be mounted without lateral spacing.



Inverter frame size F without filter

Fixing with
4 x M8 bolts
4 x M8 nuts
4 x M8 washers

Tightening torque with
washers fitted: 13 Nm
Ventilation clearance
required at top and bottom:
350 mm



Inverter frame size F with filter

Fixing with
4 x M8 bolts
4 x M8 nuts
4 x M8 washers

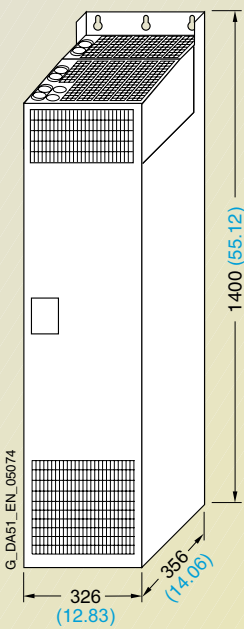
Tightening torque with
washers fitted: 13 Nm
Ventilation clearance
required at top and bottom:
350 mm

MICROMASTER 430 inverter

Frame size	3 AC 380 V to 480 V
FX	110 kW to 132 kW
GX	160 kW to 250 kW

Note:

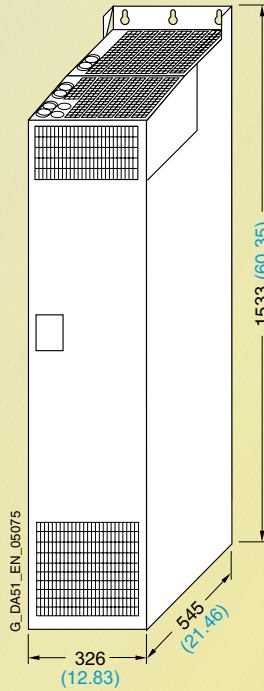
The inverters must not be mounted horizontally.
But the inverters can be mounted without lateral spacing.



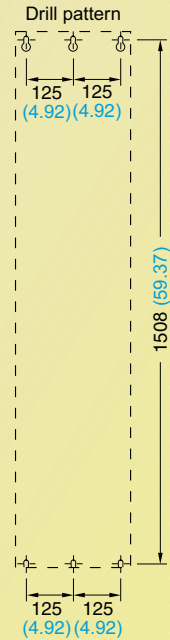
Inverter frame size FX



Fixing with
6 x M8 bolts
6 x M8 nuts
6 x M8 washers
Tightening torque
with washers
fitted: 13.0 Nm
Ventilation clearance
required:
at top: 250 mm
at bottom: 150 mm
in front: 40 mm



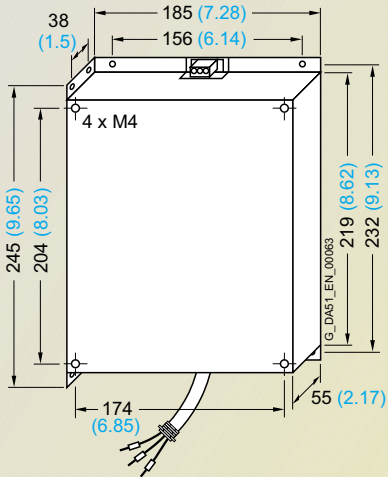
Inverter frame size GX



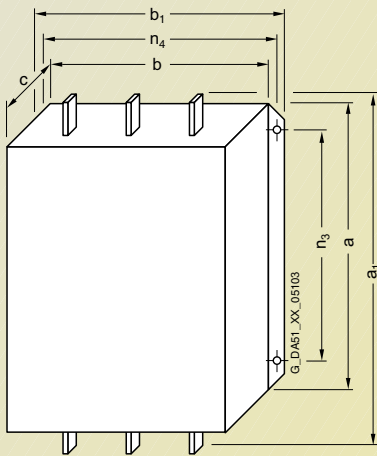
Fixing with
6 x M8 bolts
6 x M8 nuts
6 x M8 washers
Tightening torque
with washers
fitted: 13.0 Nm
Ventilation clearance
required:
at top: 250 mm
at bottom: 150 mm
in front: 50 mm

Dimension drawings

EMC filter



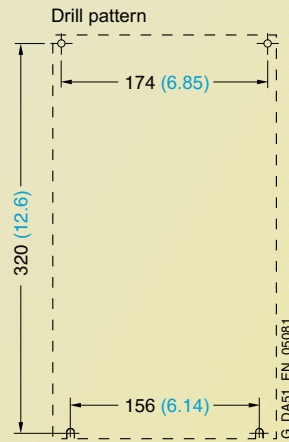
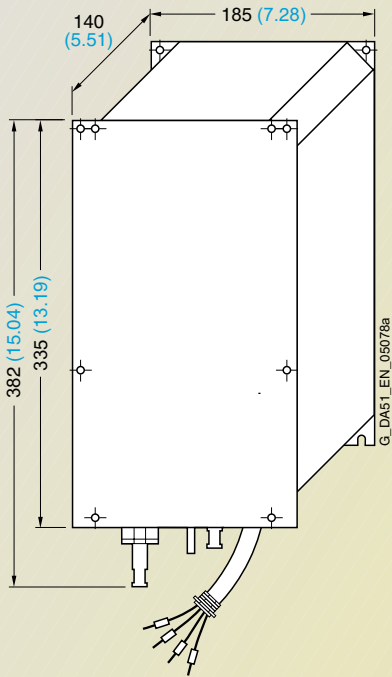
EMC filter for frame size **C**



EMC filter Class A Type 6SL3000-	for inverter Frame size (FS)	Dimensions							Weight, approx. kg
		a	a ₁	b	b ₁	c	n ₃	n ₄	
0BE32-5AA0	FX	270 (10.63)	360 (14.17)	200 (7.87)	240 (9.45)	116 (4.57)	210 (8.27)	220 (8.66)	12.3
0BE34-4AA0	FX/GX	270 (10.63)	360 (14.17)	200 (7.87)	240 (9.45)	116 (4.57)	210 (8.27)	220 (8.66)	12.3
0BE36-0AA0	GX	310 (12.2)	400 (15.75)	215 (8.46)	265 (10.43)	140 (5.51)	250 (9.84)	240 (9.45)	19.0

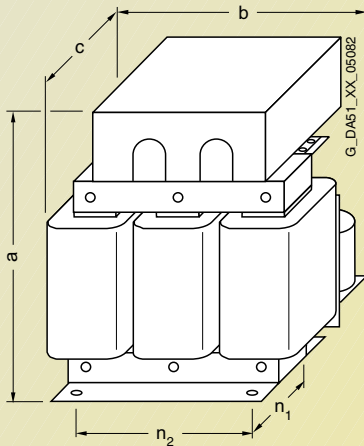
EMC filter for frame sizes **FX** and **GX**

LC filter



Fixing with M5 bolts

LC filter 6SE6400-3TD03-2CD0 for frame size **C**



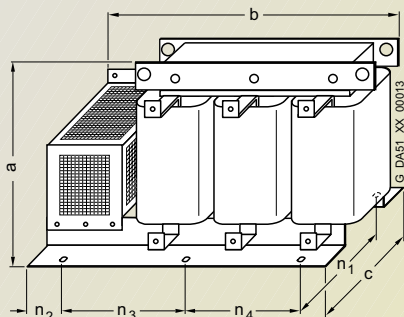
Fixing with M10 bolts

LC filter for frame sizes **D to F**

LC filter Type	for inverter Frame size (FS)	Dimensions					Weight (max.) kg
		a	b	c	n ₁	n ₂	
6SE6400-3TD03-7DD0	D	278 (10.94)	240 (9.45)	230 (9.06)	115 (4.53)	190 (7.48)	21.0
6SE6400-3TD04-8DD0	D	290 (11.42)	240 (9.45)	240 (9.45)	125 (4.92)	190 (7.48)	26.0
6SE6400-3TD06-1DD0	D	345 (13.58)	300 (11.81)	220 (8.66)	120 (4.72)	240 (9.45)	34.0
6SE6400-3TD07-2ED0	E	355 (13.98)	300 (11.81)	235 (9.25)	145 (5.71)	240 (9.45)	49.5
6SE6400-3TD11-5FD0	E/F	460 (18.11)	360 (14.17)	235 (9.25)	125 (4.92)	264 (10.39)	67.0
6SE6400-3TD15-0FD0	F	460 (18.11)	360 (14.17)	250 (9.84)	140 (5.51)	264 (10.39)	75.0
6SE6400-3TD18-0FD0	F	520 (20.47)	420 (16.54)	290 (11.42)	173 (6.81)	316 (12.44)	77.5

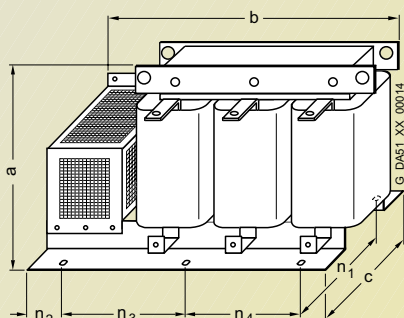
Dimension drawings

Sinusoidal filter



Sinusoidal filter for frame sizes **FX** and **GX**

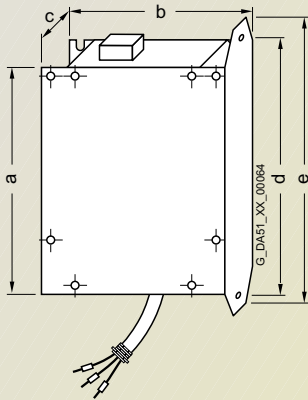
Sinusoidal filter Type 6SL3000-	for inverter Frame size (FS)	Dimensions							Weight (max.) kg
		a	b	c	n ₁	n ₂	n ₃	n ₄	
2CE32-3AA0	FX	300 (11.81)	620 (24.41)	320 (12.6)	280 (11.02)	105 (4.13)	225 (8.86)	150 (5.91)	135.0
2CE32-8AA0	GX	300 (11.81)	620 (24.41)	320 (12.6)	280 (11.02)	105 (4.13)	225 (8.86)	150 (5.91)	138.0



Sinusoidal filter for frame size **GX**

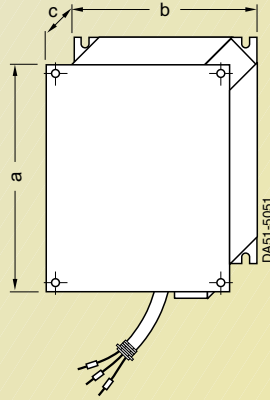
Sinusoidal filter Type 6SL3000-	for inverter Frame size (FS)	Dimensions							Weight (max.) kg
		a	b	c	n ₁	n ₂	n ₃	n ₄	
2CE33-3AA0	GX	370 (14.57)	620 (24.41)	360 (14.17)	320 (12.6)	105 (4.13)	225 (8.86)	150 (5.91)	144.0
2CE34-1AA0	GX	370 (14.57)	620 (24.41)	360 (14.17)	320 (12.6)	105 (4.13)	225 (8.86)	150 (5.91)	208.0

Line commutating chokes



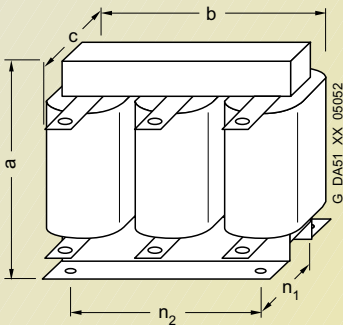
Line commutating choke for	Dimensions					Weight (max.) kg
	a	b	c	d	e	
Frame size C	245 (9.65)	185 (7.28)	50 (1.97)	264 (10.39)	280 (11.02)	5.1

Line commutating choke for frame size **C**



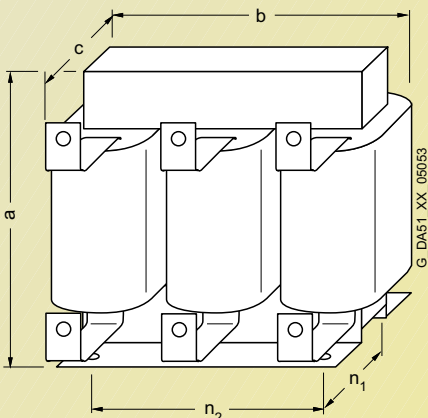
Line commutating choke for	Dimensions			Weight (max.) kg
	a	b	c	
Frame size D	520 (20.47)	275 (10.83)	85 (3.35)	9.5
Frame size E	650 (25.59)	275 (10.83)	95 (3.74)	17.0

Line commutating choke for frame sizes **D** and **E**



Line commutating choke Type	for inverter Frame size	Dimensions					Weight (max.) kg
		a	b	c	n ₁	n ₂	
3CC11-....	F	228 (8.98)	240 (9.45)	141 (5.55)	95 (3.74)	185 (7.28)	25.0

Line commutating choke for inverter frame size **F**

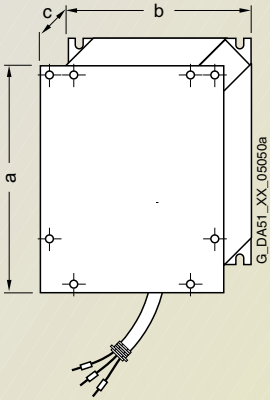


Line commutating choke Type	for inverter Frame size (FS)	Dimensions					Weight (max.) kg
		a	b	c	n ₁	n ₂	
0CE32-....	FX	248 (9.76)	255 (10.04)	203 (7.99)	101 (3.98)	200 (7.87)	24.0
0CE33-....	GX	248 (9.76)	255 (10.04)	203 (7.99)	101 (3.98)	200 (7.87)	25.0
0CE35-....	GX	269 (10.59)	275 (10.83)	210 (8.27)	118 (4.65)	224 (8.82)	35.0

Line commutating choke for inverters of frame sizes **FX** and **GX**

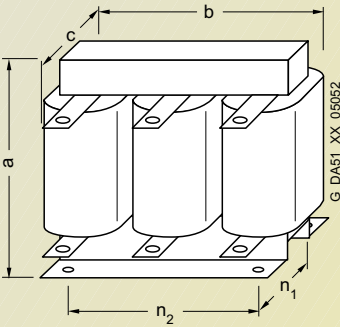
Dimension drawings

Output chokes



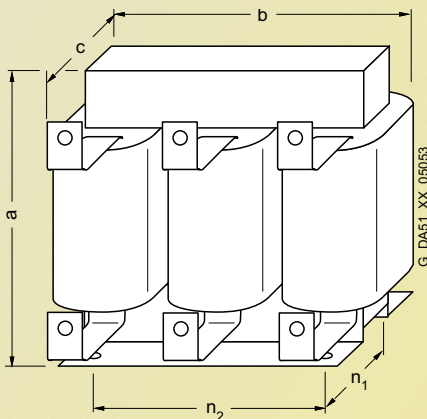
Line commutating choke
for frame size **C**

Output chokes for	Dimensions			Weight (max.)
	a	b	c	kg
Frame size C	245 (9.65)	185 (7.28)	80 (3.15)	6.6



Output chokes
for inverters of size **D, E and F**

Output choke Type	for inverter Frame size (FS)	Dimensions			n ₁ n ₂		Weight (max.) kg
		a	b	c	(to DIN 41308)		
6SE6400-							
3TC03-8DD0	D	210 (8.27)	225 (8.86)	179 (7.05)	94 (3.70)	176 (6.93)	16.1
3TC05-4DD0	D	210 (8.27)	225 (8.86)	150 (5.91)	70 (2.76)	176 (6.93)	10.7
3TC07-5ED0	E	248 (9.76)	270 (10.63)	209 (8.23)	101 (3.98)	200 (7.87)	24.9
3TC08-0ED0	E	210 (8.27)	225 (8.86)	150 (5.91)	70 (2.76)	176 (6.93)	10.4
3TC14-5FD0	F	321 (12.64)	350 (13.78)	288 (11.34)	138 (5.43)	264 (10.39)	51.5
3TC15-4FD0	F	248 (9.76)	270 (10.63)	209 (8.23)	101 (3.98)	200 (7.87)	24.0



Output chokes
for inverters of size **FX and GX**

Output choke Type	for inverter Frame size (FS)	Dimensions			n ₁ n ₂		Weight (max.) kg
		a	b	c			
6SL3000-							
2BE32-1AA0	FX	285 (11.22)	300 (11.81)	257 (10.12)	163 (6.42)	224 (8.82)	60.0
2BE32-6AA0	FX	315 (12.4)	300 (11.81)	277 (10.91)	183 (7.2)	224 (8.82)	66.0
2BE33-2AA0	GX	285 (11.22)	300 (11.81)	257 (10.12)	163 (6.42)	224 (8.82)	62.0
2BE33-8AA0	GX	285 (11.22)	300 (11.81)	277 (10.91)	183 (7.2)	224 (8.82)	73.0
2BE35-0AA0	GX	365 (14.37)	300 (11.81)	277 (10.91)	183 (7.2)	224 (8.82)	100.0