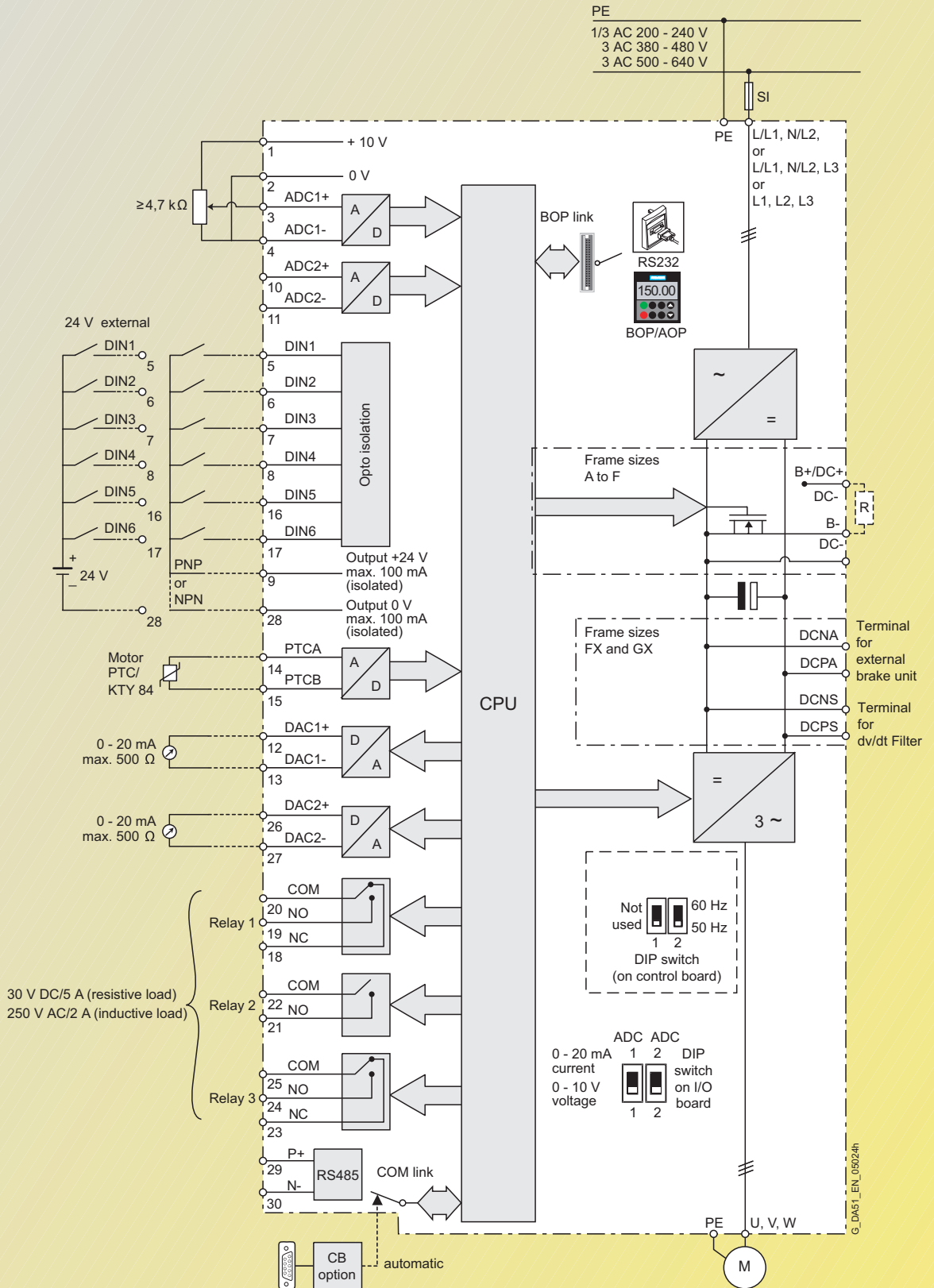


MICROMASTER 440

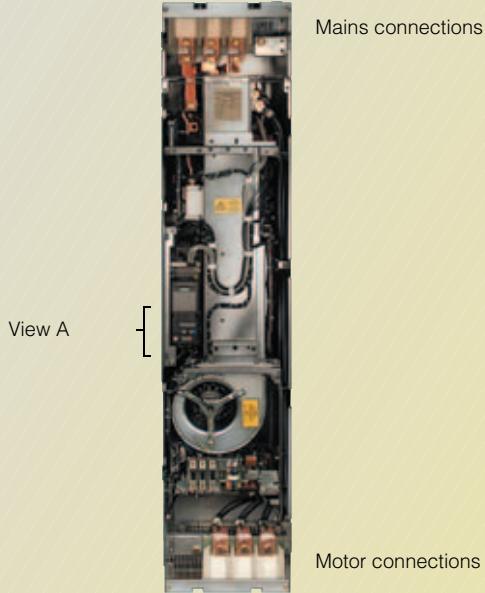
Circuit diagrams

General circuit diagram

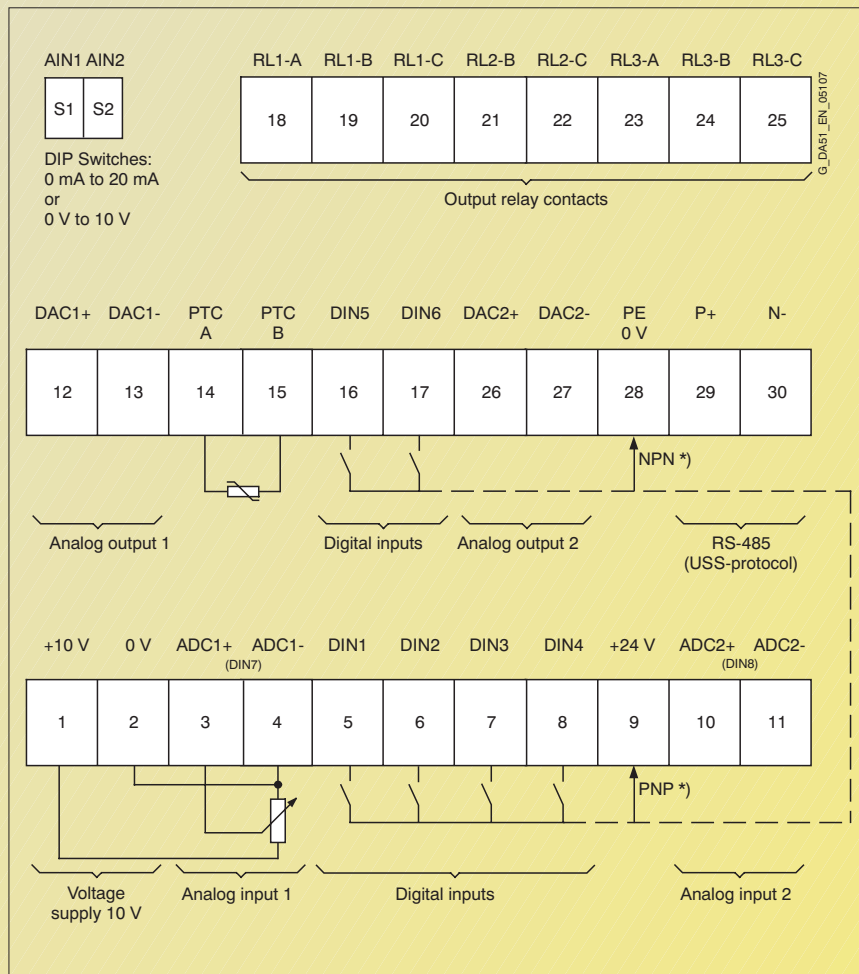


Terminal connection diagram

Example, frame size FX



View A



*) PNP or NPN possible