

SIMOREG 6RA70 DC MASTER

Options



Technology boards

Technology board T100

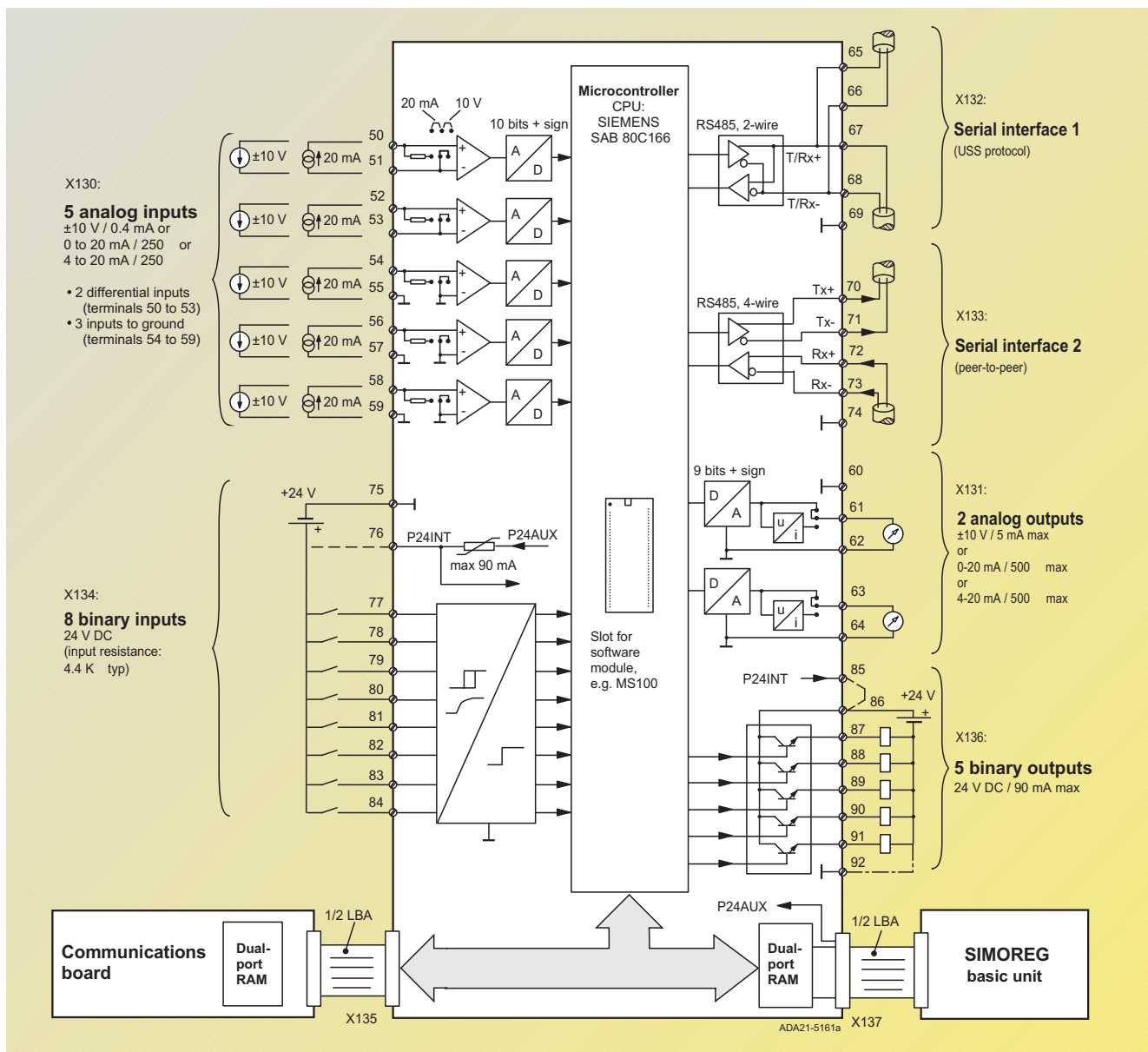


Fig. 4/18
Connection diagram for T100

T100 technology board

The T100 board can be installed in the electronics box of SIMOREG converters. The LBA bus adapter is needed for this purpose.

The T100 board extends the basic converter functionality by many drive-related technological functions such as:

- Higher-level PID controller for use, for example, as a tension, compensating roller position, flow or pressure controller.

- Comfort ramp-function generator with rounding, parameter set selection via control command, dv/dt output and cut-out function.
- Comfort motorized potentiometer with non-volatile storage of output value.
- Wobble generator with triangular wobble pattern, adjustable P steps and synchronizing input or output for reciprocating drives.
- Drive-specific control functions, e.g. starting/shutdown controller.
- Terminals with 8 binary inputs, 5 binary outputs, 5 analog inputs and 2 analog outputs. All external signals are connected directly to screw-type plug-in terminals 50 to 92 on the T100 board.
- 2 serial interfaces that can operate in mutual independence:
 - High-speed peer-to-peer link with a transfer rate of up to 187.5 kbd, with which a digital setpoint cascade can be created.
 - USS interface with a transfer rate of up to 187.5 kbd, for implementing a simple fieldbus connection to the SIMATIC PLC or an external system.