

**Selection and Ordering data****SITRANS F C MASS 6000 transmitter**

Transmitter for wall mounting with wall mounting bracket, fibre glass reinforced polyamide (1 current output, 1 frq./pulse output, 1 relay output and connection board/PCB)

**Version**

Remote IP67/NEMA 4X enclosure

**Supply voltage**

115/230 V AC, 50 ... 60 Hz  
24 V AC/DC

**Display/Keypad**

with display

**Serial communication**

No communication

HART  
PROFIBUS PA Profile 3  
PROFIBUS DP Profile 3

MODBUS RTU RS485  
DeviceNet  
FOUNDATION Fieldbus H1

**Cable glands**

M20  
½" NPT

Please also see [www.siemens.com/SITRANSOrdering](http://www.siemens.com/SITRANSOrdering) for practical examples of ordering

**Operating instructions for SITRANS F C MASS 6000 IP67**

Description	Order No.
• English	<b>A5E03071936</b>

This device is shipped with a Quick Start guide and a CD containing further SITRANS F C literature.

All literature is also available for free at:

<http://www.siemens.com/flowdocumentation>

**Accessories**

Description	Order No.
<b>Cable glands, screwed entries</b> type in polyamide (100 °C (212 °F)) black, 2 pcs.	
• M20	<b>A5E00822490</b>
• ½" NPT	<b>A5E00822501</b>
<b>Sun lid</b> for MASS 6000 transmitter (Frame and lid)	<b>A5E02328485</b>



Note: The operating instructions should be ordered as a separate line on the order.

**Order No.**

7ME 4 1 1 0 -

AA 0 - A

2

1  
2

1

A  
B  
F  
G  
E  
H  
J

1  
2

**Add-on module**

Description	Order No.
HART (Ex-i)	<b>FDK-085U0226</b>
PROFIBUS PA Profile 3 (Ex-i)	<b>FDK-085U0236</b>
PROFIBUS DP Profile 3	<b>FDK-085U0237</b>
MODBUS RTU RS485	<b>FDK-085U0234</b>
FOUNDATION Fieldbus H1 (Ex-i)	<b>A5E02054250</b>
DeviceNet	<b>FDK-085U0229</b>

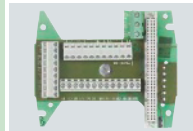
**Operating instructions for SITRANS F add-on modules**

Description	Order No.
HART	
• English	<b>A5E03089708</b>
PROFIBUS PA/DP	
• English	<b>A5E00726137</b>
• German	<b>A5E01026429</b>
MODBUS	
• English	<b>A5E00753974</b>
• German	<b>A5E03089262</b>
• Spanish	<b>A5E03089278</b>
• French	<b>A5E03089265</b>
FOUNDATION Fieldbus	
• English	<b>A5E02318728</b>
• German	<b>A5E02488856</b>
• Spanish	<b>A5E02512177</b>
• French	<b>A5E02512169</b>
DeviceNet	
• English	<b>A5E03089720</b>

This device is shipped with a Quick Start guide and a CD containing further SITRANS F C literature.

**Spare parts for compact or remote IP67 version**

Description	Order No.
<b>MASS 6000 transmitter IP67/NEMA 4X</b>	
Fibre glass reinforced polyamide and without connection board	
1 current output 1 frq./pulse output 1 relay output	
• 115/230 V AC, 50/60 Hz	<b>7ME4110-1AA10-1AA0</b>
• 24 V AC/DC	<b>7ME4110-1AA20-1AA0</b>
<b>Wall mounting unit for IP67/NEMA 4X version</b> with wall bracket, without connection board but with	
• 4 x M20 cable glands	<b>FDK-085U1018</b>
• 4 x ½" NPT cable glands	<b>A5E01164211</b>
<b>Connection board/PCB</b>	<b>FDK-083H4260</b>
Supply voltage: 115/230 V/24 V AC/DC	



**Description**

Order No.

**Terminal box kit with**

- M20 cable glands
- ½" NPT cable glands

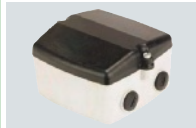
**A5E00832338****A5E00832342**

Change from remote to compact mounting of MASS 6000 IP67/NEMA 4X with MASS 2100.

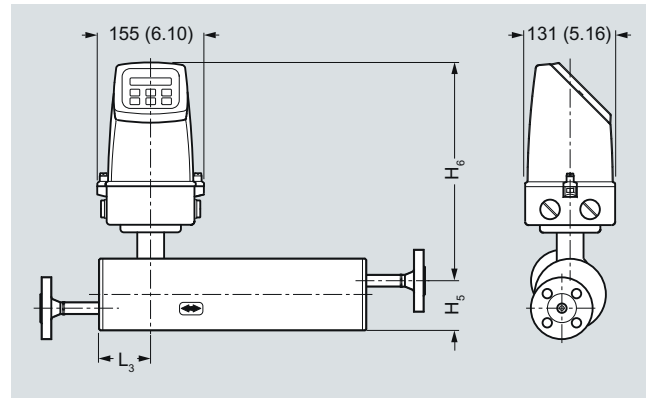
The kit consists of a terminal box in polyamide incl. connection board, cable and connector between PCB and sensor pedestal, PCB, seal and screws (4 pcs.) for mounting on sensor

**Terminal box with**

- M20 cable glands
- ½" NPT cable glands

**FDK-085U1050****A5E01164206****Terminal box – lid in polyamide****FDK-085U1003****Display and keypad**

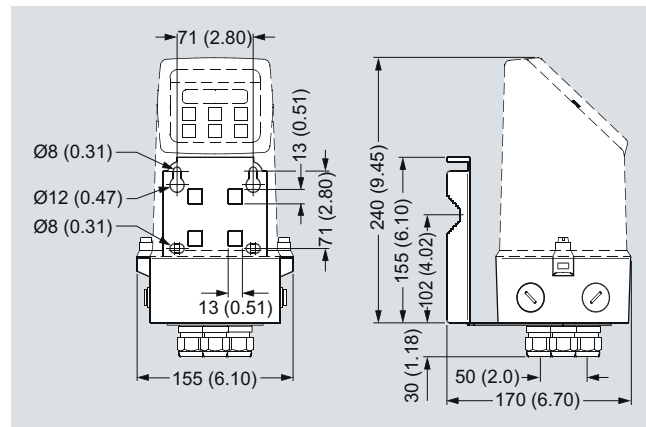
- Siemens Front

**FDK-085U1039****Dimensional drawings****Compact**

Dimensions in mm (inch)

**MASS 2100**

Sensor size [Di (inch)]	L <sub>3</sub> [mm (inch)]	H <sub>5</sub> [mm (inch)]	H <sub>6</sub> [mm (inch)]	H <sub>5</sub> + H <sub>6</sub> [mm (inch)]
3 (1/8)	75 (2.95)	82 (3.23)	306 (12.04)	388 (15.28)
6 (¼)	62 (2.44)	72 (2.83)	316 (12.44)	388 (15.28)
15 (½)	75 (2.95)	87 (3.43)	326 (12.83)	413 (16.26)
25 (1)	75 (2.95)	173 (6.81)	330 (13.00)	503 (19.80)
40 (1½)	75 (2.95)	227 (8.94)	330 (13.00)	557 (21.93)

**Transmitter wall mounted**

Dimensions in mm (inch)