

Communication modules for MAG 6000 I (All standard outputs can still be used)

Description	Order No.
HART (only for MAG 6000 I/Ex)	◆ FDK-085U0321
Modbus RTU/RS485	◆ FDK-085U0234
PROFIBUS PA Profile 3	◆ FDK-085U0236
PROFIBUS DP Profile 3	◆ FDK-085U0237
DeviceNet	◆ FDK-085U0229
FOUNDATION Fieldbus H1	◆ A5E02054250

◆ Short lead time (details in PMD)



Operating instructions for SITRANS F add-on modules

Description	Order No.
HART	
• English	A5E03089708
PROFIBUS PA/DP	
• English	A5E00726137
• German	A5E01026429
MODBUS	
• English	A5E00753974
• German	A5E03089262
• Spanish	A5E03089278
• French	A5E03089265
FOUNDATION Fieldbus	
• English	A5E02318728
• German	A5E02488856
• Spanish	A5E02512177
• French	A5E02512169
DeviceNet	
• English	A5E03089720

This device is shipped with a Quick Start guide and a CD containing further SITRANS F literature.

Accessories MAG 6000 I/MAG 6000 I Ex de

Description	Order No.
Cable for standard electrode or coil, 3 x 1.5 mm ² /18 gage with shield PVC	
• 10 m (33 ft)	◆ FDK-083F0121
• 20 m (65 ft)	◆ FDK-083F0210
• 40 m (130 ft)	◆ FDK-083F0211
• 60 m (200 ft)	◆ FDK-083F0212
• 100 m (330 ft)	◆ FDK-083F0213
• 150 m (500 ft)	FDK-083F3052
• 200 m (650 ft)	FDK-083F3053
• 500 m (1650 ft)	FDK-083F3054
Electrode cable for empty pipe or low conductivity, double shielded, 3 x 0.25 mm ²	
• 10 m (33 ft)	◆ FDK-083F3020
• 20 m (65 ft)	◆ FDK-083F3095
• 40 m (130 ft)	FDK-083F3094
• 60 m (200 ft)	FDK-083F3093
• 100 m (330 ft)	FDK-083F3092
• 150 m (500 ft)	FDK-083F3056
• 200 m (650 ft)	FDK-083F3057
• 500 m (1650 ft)	FDK-083F3058



Cable kit with standard coil cable, 3 x 1.5 mm²/18 gage with shield PVC and electrode cable double shielded, 3 x 0.25 mm²

- 5 m (16.5 ft) ◆ **A5E02296329^D**
- 10 m (33 ft) ◆ **A5E01181647**
- 15 m (49 ft) ◆ **A5E02296464^D**
- 20 m (65 ft) ◆ **A5E01181656**
- 25 m (82 ft) ◆ **A5E02296490^D**
- 30 m (98 ft) ◆ **A5E02296494^D**
- 40 m (130 ft) ◆ **A5E01181686**
- 50 m (164 ft) ◆ **A5E02296498^D**
- 60 m (200 ft) **A5E01181689**
- 100 m (330 ft) **A5E01181691**
- 150 m (500 ft) **A5E01181699**
- 200 m (650 ft) **A5E01181703**
- 500 m (1650 ft) **A5E01181705**

Low noise electrode coax cable for low conductivity and high vibration levels of cables, 3 x 0.13 mm²

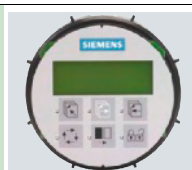
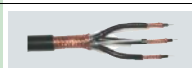
- 2 m (6.6 ft) **A5E02272692**
- 5 m (16.5 ft) **A5E02272723**
- 10 m (33 ft) **A5E02272730**




◆ Short lead time (details in PMD)

D) Subject to export regulations AL: N, ECCN:EAR99H.


Spare parts

Description	Order No.
Display	FDK-085U3122
Accessory bag including cable gland inserts coil and electrode connectors	FDK-085U3144
Electronics cover with Ex glass plate	A5E02593565
Cover for connection board incl. gasket (for remote version)	A5E03636107
Cover for mains supply/communication	A5E03636139



Description	Order No.	
Safety clamp	A5E03636163	
Standard wall mounting bracket	A5E03636182	
Wall-/pipe mounting bracket kit	A5E03636159	

Complete spare part PCB unit

Description	Order No.	
MAG 6000 I PCBA (not for Ex)	FDK-085U3123	
MAG 6000 I Ex de, 18 ... 30 V DC Spare PCBA unit for use with Ex sensors with increased safety e (For Ex sensors: 7ME6110, 7ME6120, 7ME6140, 7ME6310, 7ME6320, 7ME6340) (For 7ME6330 > DN300)	A5E01013340	
MAG 6000 I Ex de 115 ... 230 V AC Spare PCBA unit for use with Ex sensors with increased safety e (For EX sensors: 7ME6110, 7ME6120, 7ME6140, 7ME6310, 7ME6320, 7ME6340) (For 7ME6330 > DN300)	A5E01013127	
Ex de version 18 ... 30 V DC for sensors with intrinsic safety ib 7ME633 and 7ME613 (For sensors ≤ DN 300 (12"): 7ME6130, 7ME6150 and 7ME6330)	FDK-085U3124	
Ex de version 115 ... 230 V AC for sensors with intrinsic safety ib 7ME633 and 7ME613 (For sensors ≤ DN 300 (12"): 7ME6130, 7ME6150 and 7ME6330)	FDK-085U3125	

Please use online Product selector to get latest updates.

Product selector link:

www.pia-selector.automation.siemens.com

Please also see www.siemens.com/SITRANSOrdering for practical examples of ordering