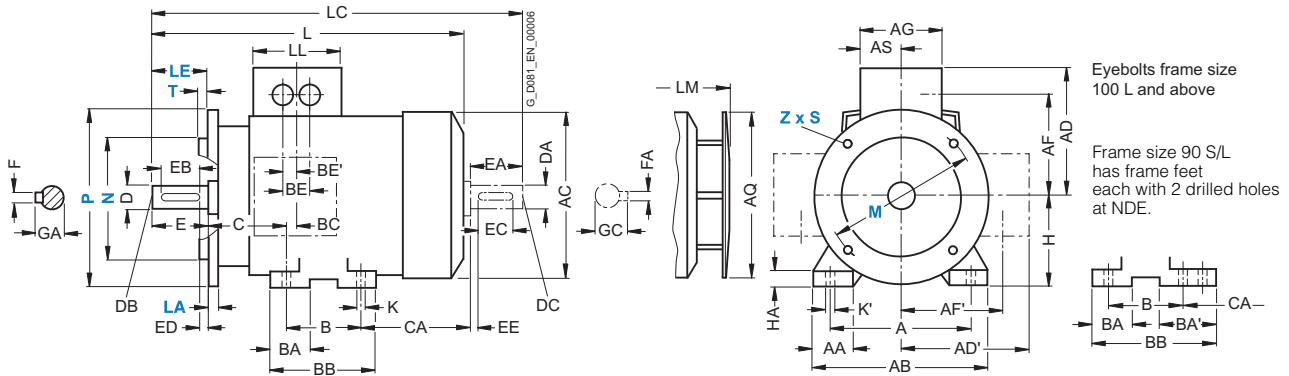


Dimensional drawings (continued)

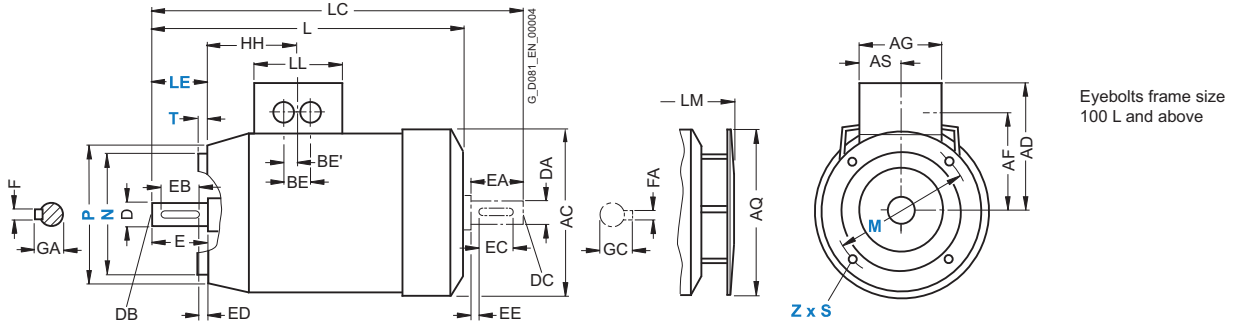
Type of construction IM B35

For flange dimensions, see section flange dimension (Z = the number of retaining holes)



Type of construction IM B14

Type of construction IM B14 not possible for 1LA9 motors, frame sizes 180 M to 200 L
For flange dimensions, see section flange dimension (Z = the number of retaining holes)



For motor Frame size	Type	Number of poles	Dimension designation acc. to IEC						DE shaft extension					NDE shaft extension									
			HH	K	K'	L	LC	LL	LM	D	DB	E	EB	ED	F	GA	DA	DC	EA	EC	EE	FA	GC
63 M	1LA9060 1LA9063	2, 4	69.5	7	10	202.5 ¹⁾ 228.5	232 ¹⁾ 258	120	231.5 257.5	11	M4	23	16	3.5	4	12.5	11	M4	23	16	3.5	4	12.5
71 M	1LA9070 1LA9073	2, 4	63.5	7	10	240	278	120	268	14	M5	30	22	4	5	16	14	M5	30	22	4	5	16
80 M	1LA9080 1LA9083	2, 4	63.5	9.5	13.5	273.5 308.5	324 364	120	299.5 334.5	19	M6	40	32	4	6	21.5	19	M6	40	32	4	6	21.5
90 S 90 L	1LA9090 1LA9096	2, 4, 6	79	10	14	331 376 ²⁾ 358 ³⁾	389 434 ²⁾ 414 ³⁾	120	382.5 427.5 ²⁾ 409.5 ³⁾	24	M8	50	40	5	8	27	19	M6	40	32	4	6	21.5
100 L	1LA9106 1LA9107	2, 4, 6	102	12	16	407 442 ⁴⁾	473 508 ⁴⁾	120	458.5 493 ⁴⁾	28	M10	60	50	5	8	31	24	M8	50	40	5	8	27
112 M	1LA9113	2, 4, 6	102	12	16	431	499	120	482.5	28	M10	60	50	5	8	31	24	M8	50	40	5	8	27
132 S	1LA9130 1LA9131	2, 4 2	128	12	16	452.5 490.5	551.5 589.5	140	505 543	38	M12	80	70	5	10	41	38	M12	80	70	5	10	41
132 M	1LA9133 1LA9133 1LA9134	6 4 6	128	12	16	452.5 490.5	551.5 589.5	140	505 543	38	M12	80	70	5	10	41	38	M12	80	70	5	10	41
160 M	1LA9163 1LA9164	2, 4, 6 2	160.5	15	19	588	721	165	640.5	42	M16	110	90	10	12	45	42	M16	110	90	10	12	45
160 L	1LA9166	2, 4, 6	160.5	15	19	628	761	165	680.5	42	M16	110	90	10	12	45	42	M16	110	90	10	12	45
180 M	1LA9183	2, 4	159	15	19	712	841	132	793.5	48	M16	110	100	5	14	51.5	48	M16	110	100	5	14	51.5
180 L	1LA9186	4, 6	159	15	19	712	841	132	793.5	48	M16	110	100	5	14	51.5	48	M16	110	100	5	14	51.5
200 L	1LA9206 1LA9207	2, 6 2, 4, 6	178	19	25	768.5	897	192	850	55	M20	110	100	5	16	59	55	M20	110	100	5	16	59

¹⁾ For 1LA9060 in the case of type of construction code 1 (IM B5, IM V3), dimensions L, LC and LM are 26 mm longer.

²⁾ Only for 1LA9096-6KA.

³⁾ Only for 1LA9096-2 and 1LA9096-4.

⁴⁾ Only for 1LA9107-4KA.