

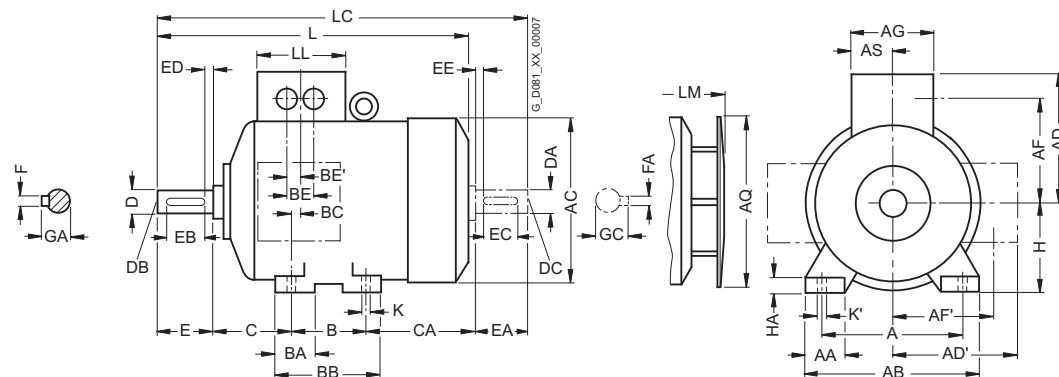
# SIMOTICS XP 1LA Explosion-Proof Motors

## Dimensions

Cast-iron series 1LA6  
Frame sizes 100 L to 160 L

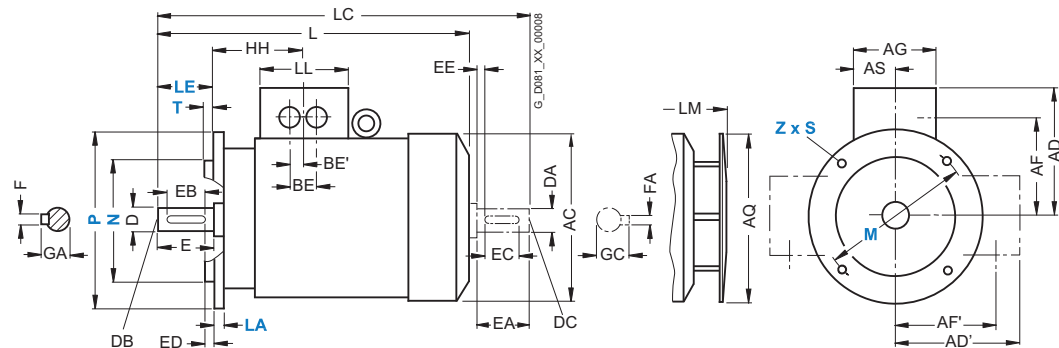
### Dimensional drawings

#### Type of construction IM B3



#### Types of construction IM B5 and IM V1

For flange dimensions, see section flange dimension (Z = the number of retaining holes)



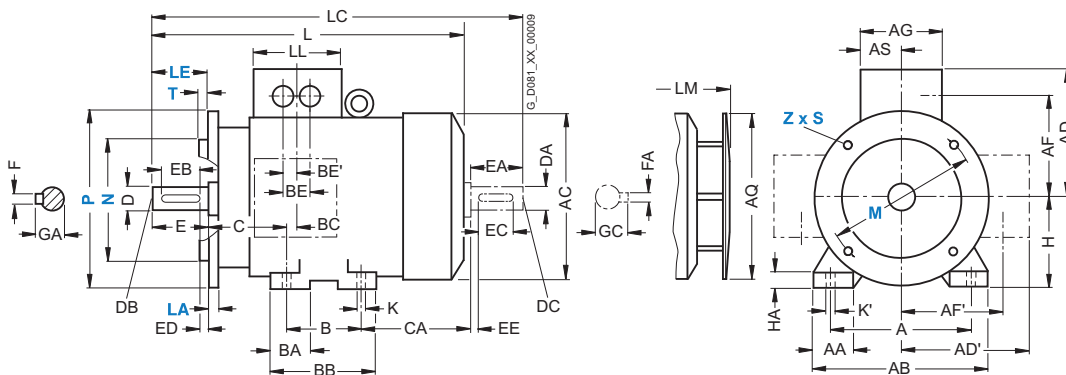
For motor		Number of poles	Dimension designation acc. to IEC																				
Frame size	Type		A	AA	AB	AC <sup>1)</sup>	AD	AD'	AF	AF'	AG	AQ	AS	B	BA	BB	BC	BE	BE'	C	CA	H	HA
100 L	1LA6106 1LA6107	2, 4, 6, 8 4, 8	160	40	196	201	164	164	124	124	121	170	60.5	140	46	180	42	44	22	63	125	100	12
112 M	1LA6113	2, 4, 6, 8	190	42.5	226	225.5	178	178	138	138	121	170	60.5	140	46	180	34	44	22	70	141	112	15
132 S	1LA6130 1LA6131	2, 4, 6, 8 2	216	50	256	265	194	194	154	154	141	250	70.5	140	47	180	42	44	22	89	162.5	132	17
132 M	1LA6133 1LA6134	4, 6, 8 6	216	50	256	265	194	194	154	154	141	250	70.5	178	49	218	42	44	22	89	124.5	132	17
160 M	1LA6163 1LA6164	2, 4, 6, 8 2, 8	254	60	300	320	226	226	183	183	166	250	83	210	63	256	52	54	27	108	183	160	18
160 L	1LA6166	2, 4, 6, 8	254	60	300	320	226	226	183	183	166	250	83	254	63	300	52	54	27	108	139	160	18

<sup>1)</sup> Measured across the bolt heads.

### Dimensional drawings (continued)

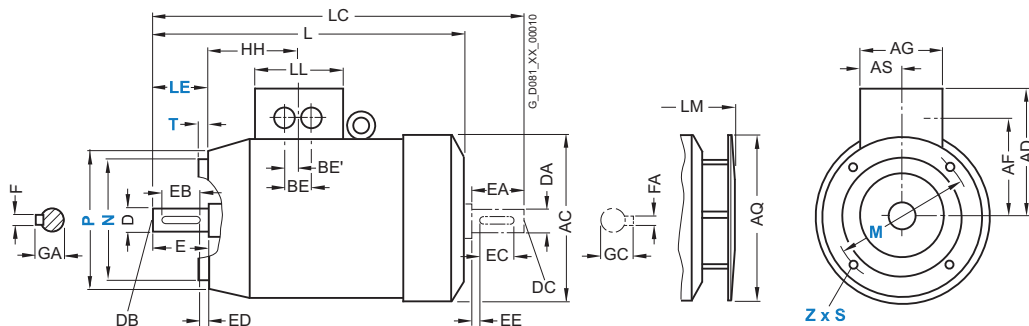
#### Type of construction IM B35

For flange dimensions, see section flange dimension (Z = the number of retaining holes)



#### Types of construction IM B14

For flange dimensions, see section flange dimension (Z = the number of retaining holes)



For motor Frame size	Type	Number of poles	Dimension designation acc. to IEC							DE shaft extension					NDE shaft extension								
			HH	K	K'	L	LC	LL	LM	D	DB	E	EB	ED	F	GA	DA	DC	EA	EC	EE	FA	GC
100 L	1LA6106 1LA6107	2, 4, 6, 8 4, 8	104.5	12	16	372	438	121	423.5	28	M10	60	50	5	8	31	24	M8	50	40	5	8	27
112 M	1LA6113	2, 4, 6, 8	104.5	12	16	393	461	121	444.5	28	M10	60	50	5	8	31	24	M8	50	40	5	8	27
132 S	1LA6130 1LA6131	2, 4, 6, 8 2	130.5	12	16	453.5	551.5	141	506	38	M12	80	70	5	10	41	38	M12	80	70	5	10	41
132 M	1LA6133 1LA6134	4, 6, 8 6	130.5	12	16	453.5	551.5	141	506	38	M12	80	70	5	10	41	38	M12	80	70	5	10	41
160 M	1LA6163 1LA6164	2, 4, 6, 8 2, 8	160	14.5	18	588	721	166	640.5	42	M16	110	90	10	12	45	42	M16	110	90	10	12	45
160 L	1LA6166	2, 4, 6, 8	160	14.5	18	588	721	166	640.5	42	M16	110	90	10	12	45	42	M16	110	90	10	12	45