

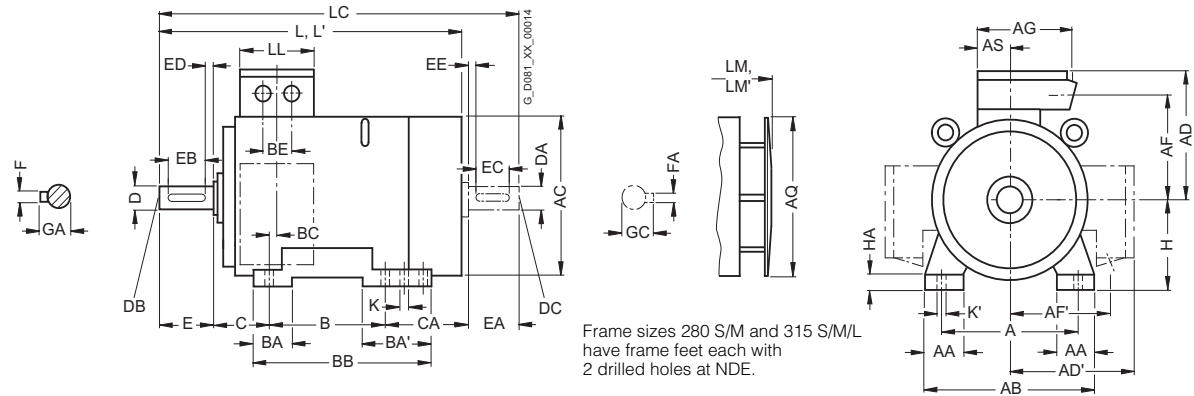
# SIMOTICS SD 1LG Standard Motors

## Dimensions

Cast-iron series 1LG6  
Frame sizes 280 S to 315 L

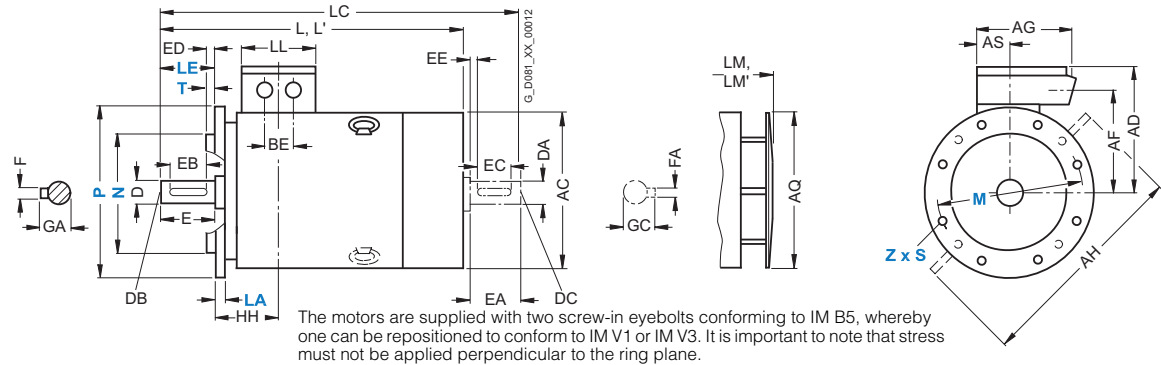
### Dimensional drawings

#### Type of construction IM B3



#### Types of construction IM B5 and IM V1

For flange dimensions, see section flange dimension (Z = the number of retaining holes)



For motor		Dimension designation acc. to IEC																								
Frame size	Type	Type of construction	Number of poles	A	AA	AB	AC <sup>1)</sup>	AD	AD'	AF	AF'	AG	AH	AQ	AS	B*	BA	BA'	BB	BC	BE	C	CA*	H	HA	
280 S	1LG6280	All	2	457	100	540	555	432	432	348	348	300	672	525	118	368	100	151	479	62	110	190	267	280	40	
280 M	1LG6283	All	2	457	100	540	555	432	432	348	348	300	672	525	118	419	100	151	479	62	110	190	326	280	40	
			4, 6, 8																							
	1LG6288	All	2	457	100	540	555	432	432	348	348	300	672	525	118	419	100	151	479	62	110	190	326	280	40	
			4, 6																							
315 S	1LG6310	All	2	508	120	610	610	500	500	400	400	380	780	590	154	406	125	176	527	69	110	216	315	315	50	
315 M <sup>2)</sup>	1LG6313	All	8	508	120	610	610	500	500	400	400	380	780	590	154	457	125	176	527	69	110	216	264	315	50	
			2	508	120	610	610	500	500	400	400	380	780	590	154	457	125	176	578	69	110	216	424	315	50	
315 L <sup>2)</sup>	1LG6316	All	2	508	120	610	610	500	500	400	400	380	780	590	154	508	125	176	578	69	110	216	373	315	50	
			4, 6																							
	1LG6317	All	2	508	120	610	610	500	500	400	400	380	780	590	154	508	155	206	648	69	110	216	513	315	50	
			4, 6																							
			8																							
	1LG6318	All	6, 8	508	120	610	610	500	500	400	400	380	780	590	165	508	155	206	648	69	110	216	513	315	50	
	1LG6318	All	2	508	120	610	610	500	500	400	400	226	780	590	154	508	155	206	648	69	135	216	513	315	50	
		IM B3	4																							
		IM B35,	4															250	666	129			573	30		
		IM V1																								
	1LG6312	All	2	508	120	610	610	500	500	400	400	226	780	590	154	508	155	206	648	69	135	216	513	315	50	
		All	4, 6				625											250	666	129			657	30		
		IM B3	8 <sup>3)</sup>				610											206	648	69			537	50		
		IM B35,	8 <sup>3)</sup>															250	666	129			597	30		
		IM V1																								

\* This dimension is assigned in DIN EN 50347 to the frame size listed.

1) Measured across the bolt heads.

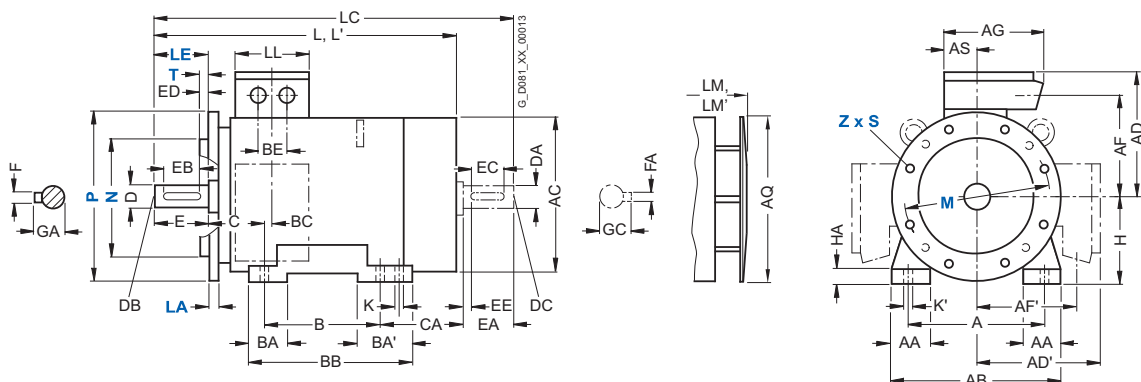
2) With order codes for connection box positions (K09, K10, K11) only fitted feet with 3 drilled holes with dimension 'B' (406, 457 and 508 mm). BB will then be 666 mm.

3) Motor 1LG6312-8 is not possible in efficiency class IE3.

### Dimensional drawings (continued)

#### Type of construction IM B35

For flange dimensions, see section flange dimension (Z = the number of retaining holes)



For motor		Dimension designation acc. to IEC										DE shaft extension					NDE shaft extension							
Frame size	Type	Type of construction	Number of poles	HH	K	K'	L	LC	LL	LM	D	DB	E	EB	ED	F	GA	DA	DC	EA	EC	EE	FA	GC
280 S	1LG6280	All	2	252	24	30	998	1105	236	1252	65	M20	140	125	10	18	69	60	M20	140	125	10	18	64
			4, 6, 8				960			1070	75	M20	140	125	10	20	79.5	65	M20	140	125	10	18	69
280 M	1LG6283	All	2	252	24	30	1108	1215	236	1218	65	M20	140	125	10	18	69	60	M20	140	125	10	18	64
			4				1070			1180	75	M20	140	125	10	20	79.5	65	M20	140	125	10	18	69
			6, 8				960	1105		1070	75	M20	140	125	10	20	79.5	65	M20	140	125	10	18	69
	1LG6288	All	2	252	24	30	1180	1215	236	1218	65	M20	140	125	10	18	69	60	M20	140	125	10	18	64
			4, 6				1070			1180	75	M20	140	125	10	20	79.5	65	M20	140	125	10	18	69
315 S	1LG6310	All	2	285	28	35	1142	1217	307	1252	65	M20	140	125	10	18	69	60	M20	140	125	10	18	64
			4, 6, 8				1102	1247		1212	80	M20	170	140	25	22	85	70	M20	140	125	10	20	74.5
315 M	1LG6313	All	8	285	28	35	1102	1247	307	1212	80	M20	170	140	25	22	85	70	M20	140	125	10	20	74.5
			2	285	28	35	1302	1377	307	1412	65	M20	140	125	10	18	69	60	M20	140	125	10	18	64
			4, 6				1262	1407		1372	80	M20	170	140	25	22	85	70	M20	140	125	10	20	74.5
315 L	1LG6316	All	2	285	28	35	1302	1377	307	1412	65	M20	140	125	10	18	69	60	M20	140	125	10	18	64
			4, 6				1262	1407		1372	80	M20	170	140	25	22	85	70	M20	140	125	10	20	74.5
			8							1372	80	M20	170	140	25	22	85	70	M20	140	125	10	20	74.5
	1LG6317	All	2	285	28	35	1442	1517	307	1552	65	M20	140	125	10	18	69	60	M20	140	125	10	18	64
			4, 6				1402	1547		1512	80	M20	170	140	25	22	85	70	M20	140	125	10	20	74.5
			8				1262	1407		1372	80	M20	170	140	25	22	85	70	M20	140	125	10	20	74.5
	1LG6318	All	6, 8	285	28	35	1402	1547	330	1512	80	M20	170	140	25	22	85	70	M20	140	125	10	20	74.5
	1LG6318	All	2	285	28	35	1442	1517	307	1552	65	M20	140	125	10	18	69	60	M20	140	125	10	18	64
		All	4				1402	1547		1512	85 <sup>1)</sup>	M20	170	140	25	22	90	70	M20	140	125	10	20	74.5
		IM B35, IM V1	4	345			1462	1607		1572	85 <sup>1)</sup>	M20	170	140	25	22	90	70	M20	140	125	10	20	74.5
	1LG6312	All	2	285	28	35	1372	1517	307	1482	65	M20	140	125	10	18	69	60	M20	140	125	10	18	64
		All	4, 6	345			1546	1691		1656	85 <sup>1)</sup>	M20	170	140	25	22	90	70	M20	140	125	10	20	74.5
		All	8	285			1426	1571		1512	85 <sup>1)</sup>	M20	170	140	25	22	90	70	M20	140	125	10	20	74.5
		IM B35, IM V1	8	345			1486	1631		1572	85 <sup>1)</sup>	M20	170	140	25	22	90	70	M20	140	125	10	20	74.5

<sup>1)</sup> Diameters up to 90 mm are possible.