

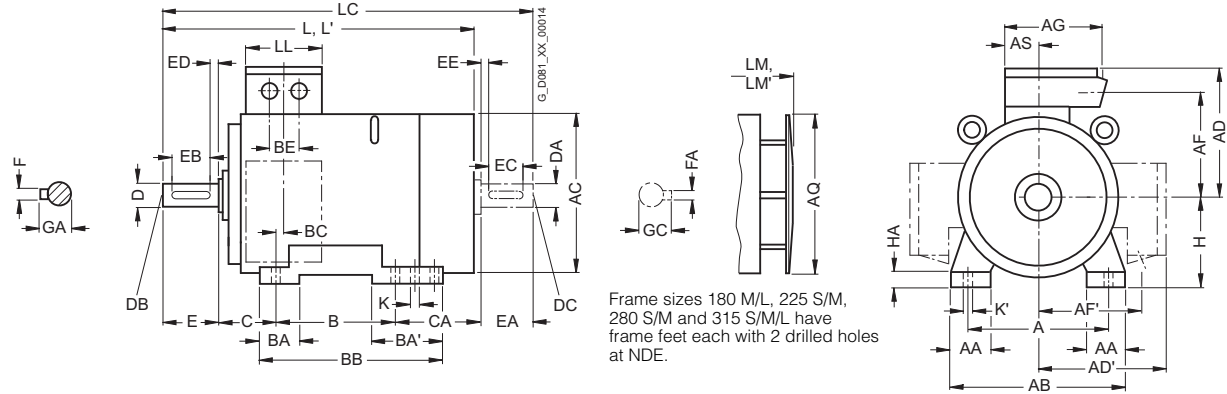
SIMOTICS SD 1LG Standard Motors

Dimensions

Cast-iron series 1LG4
Frame sizes 180 M to 315 L

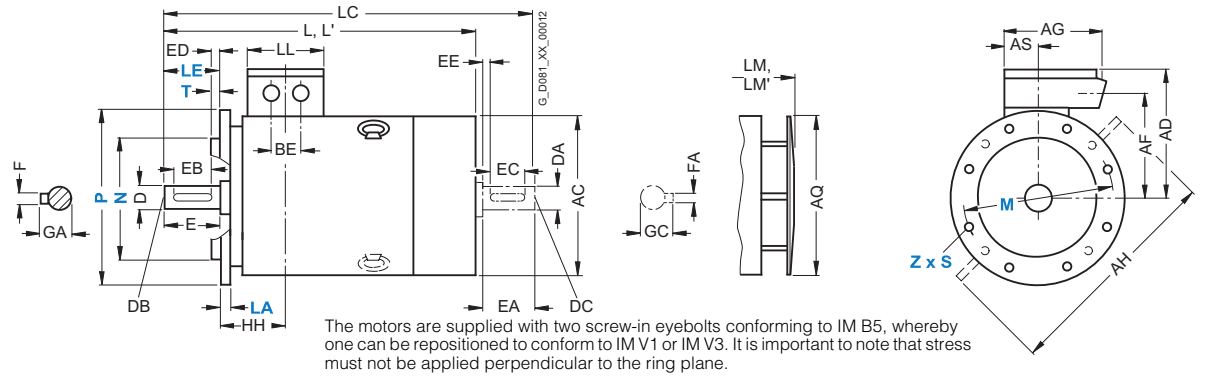
Dimensional drawings

Type of construction IM B3



Types of construction IM B5 and IM V1

For flange dimensions, see section flange dimension (Z = the number of retaining holes)



For motor		Dimension designation acc. to IEC																						
Frame size	Type	Number of poles	A	AA	AB	AC ¹⁾	AD	AD'	AF	AF'	AG	AH	AQ	AS	B*	BA	BA'	BB	BC	BE	C	CA*	H	HA
180 M	1LG4183	2, 4, ●	279	65	339	363	262	262	220	220	152	452	340	71	241	70	111	328	36	54	121	202	180	20
180 L	1LG4186	4, 6, 8, ●	279	65	339	363	262	262	220	220	152	452	340	71	279	70	111	328	36	54	121	164	180	20
	1LG4188	2, 4, 6, 8	279	65	339	363	262	262	220	220	152	452	340	71	279	70	111	328	36	54	121	215	180	20
200 L	1LG4206	2, 6	318	70	378	402	300	300	247	247	260	512	340	96	305	80	80	355	63	85	133	177	200	25
	1LG4207	2, 4, 6, 8, ●	318	70	378	402	300	300	247	247	260	512	340	96	305	80	80	355	63	85	133	177	200	25
	1LG4208	2, 6	318	70	378	402	300	300	247	247	260	512	340	96	305	80	80	355	63	85	133	234	200	25
		4, 8																				177		
225 S	1LG4220	4, 8, ●	356	80	436	442	325	325	272	272	260	556	425	96	286	85	110	361	47	85	149	218	225	34
225 M	1LG4223	2	356	80	436	442	325	325	272	272	260	556	425	96	311	85	110	361	47	85	149	193	225	34
	1LG4228	4, 6, 8, ●	356	80	436	442	325	325	272	272	260	556	425	96	311	85	110	361	47	85	149	253	225	34
		4, 6, 8																						
250 M	1LG4253	2	406	100	490	495	392	392	308	308	300	620	470	118	349	100	100	409	69	110	168	235	250	40
	1LG4258	4, 6, 8, ●	406	100	490	495	392	392	308	308	300	620	470	118	349	100	100	409	69	110	168	235	250	40
		2																				305		
		4																				235		
		6, 8																						
280 S	1LG4280	2	457	100	540	555	432	432	348	348	300	672	525	118	368	100	151	479	62	110	190	267	280	40
280 M	1LG4283	4, 6, 8, ●	457	100	540	555	432	432	348	348	300	672	525	118	419	100	151	479	62	110	190	216	280	40
	1LG4288	2	457	100	540	555	432	432	348	348	300	672	525	118	419	100	151	479	62	110	190	326	280	40
		4																						
		6, 8																						
																						216		
315 S	1LG4310	2	508	120	610	610	500	500	400	400	380	780	590	154	406	125	176	527	69	110	216	315	315	50
315 M ²⁾	1LG4313	4, 6, 8, ●	508	120	610	610	500	500	400	400	380	780	590	154	457	125	176	527	69	110	216	264	315	50
		2																						
315 L ²⁾	1LG4316/317	4, 6, 8, ●	508	120	610	610	500	500	400	400	380	780	590	154	508	125	176	578	69	110	216	373	315	50
		2																						
		4																						
		6																						
	1LG4318	8	508	120	610	610	500	500	400	400	380	780	590	154	508	155	206	648	69	110	216	513	315	50
		6																						

● Pole-changing motors

* This dimension is assigned in DIN EN 50347 to the frame size listed.

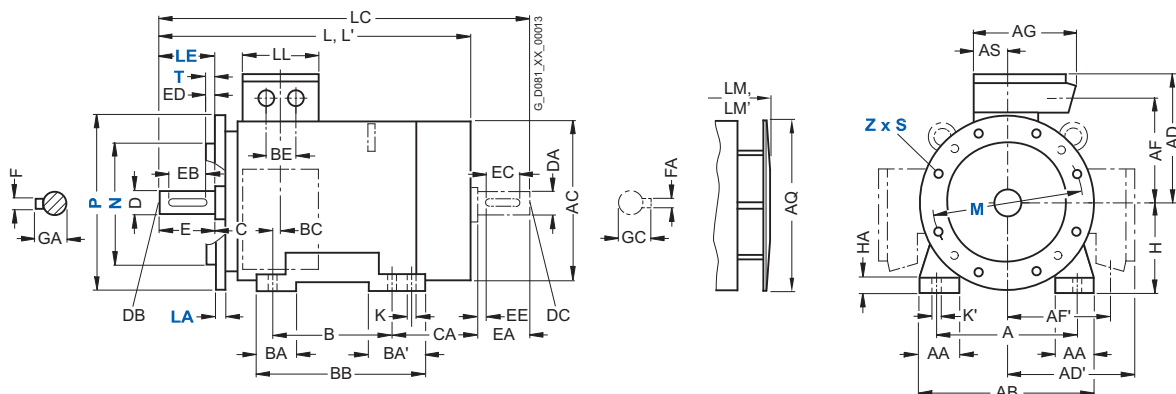
1) Measured across the bolt heads.

2) With order codes for connection box positions (K09, K10, K11) only fitted feet with 3 drilled holes with dimension "B" (406, 457 and 508 mm). BB will then be 666 mm.

Dimensional drawings (continued)

Type of construction IM B35

For flange dimensions, see section flange dimension (Z = the number of retaining holes)



For motor		Dimension designation acc. to IEC										DE shaft extension					NDE shaft extension								
Frame size	Type	Number of poles	HH	K	K'	L	L ¹⁾	LC ²⁾	LL	LM	LM ¹⁾	D	DB	E	EB	ED	F	GA	DA	DC	EA	EC	EE	FA	GC
180 M	1LG4183	2, 4, ●	157	15	19	669	669	784	132	759	759	48	M16	110	100	5	14	51.5	48	M16	110	100	5	14	51.5
180 L	1LG4186	4, 6, 8, ●	157	15	19	669	–	784	132	759	–	48	M16	110	100	5	14	51.5	48	M16	110	100	5	14	51.5
	1LG4188	2, 4, 6, 8	157	15	19	720	720	835	132	810	810	48	M16	110	100	5	14	51.5	48	M16	110	100	5	14	51.5
200 L	1LG4206	2, 6	196	19	25	720	754	835	192	810	844	55	M20	110	100	5	16	59	55	M20	110	100	5	16	59
	1LG4207	2, 4, 6, 8, ●	196	19	25	720	754	835	192	810	844	55	M20	110	100	5	16	59	55	M20	110	100	5	16	59
	1LG4208	2, 6	196	19	25	777	811	892	192	867	901	55	M20	110	100	5	16	59	55	M20	110	100	5	16	59
		4, 8	–	–	–	720	–	835	–	810	–	–	–	–	–	–	–	–	–	–	–	–	–	–	
225 S	1LG4220	4, 8, ●	196	19	25	789	–	903	192	889	–	60	M20	140	125	10	18	64	55	M20	110	100	5	16	59
225 M	1LG4223	2	196	19	25	759	793	873	192	859	893	55	M20	110	100	5	16	59	48	M16	110	100	5	14	51.5
		4, 6, 8, ●	–	–	–	789	–	903	–	889	–	60	M20	140	125	10	18	64	55	M20	110	100	5	16	59
	1LG4228	2	196	19	25	819	853	933	192	919	953	55	M20	110	100	5	16	59	48	M16	110	100	5	14	51.5
		4, 6, 8	–	–	–	849	–	963	–	949	–	60	M20	140	125	10	18	64	55	M20	110	100	5	16	59
250 M	1LG4253	2	237	24	30	887	924	1002	236	987	1024	60	M20	140	125	10	18	64	55	M20	110	100	5	16	59
		4, 6, 8, ●	–	–	–	–	–	1032	–	–	–	65	M20	140	125	10	18	69	60	M20	140	125	10	18	64
	1LG4258	2	237	24	30	887	924	1002	236	987	1024	60	M20	140	125	10	18	64	55	M20	110	100	5	16	59
		4	–	–	–	957	–	1102	–	1057	–	65	M20	140	125	10	18	69	60	M20	140	125	10	18	64
		6, 8	–	–	–	887	–	1032	–	987	–	65	M20	140	125	10	18	69	60	M20	140	125	10	18	64
280 S	1LG4280	2	252	24	30	960	998	1105	236	1070	1108	65	M20	140	125	10	18	69	60	M20	140	125	10	18	64
		4, 6, 8, ●	–	–	–	–	–	–	–	–	–	75	M20	140	125	10	20	79.5	65	M20	140	125	10	18	69
280 M	1LG4283	2	252	24	30	960	998	1105	236	1070	1108	65	M20	140	125	10	18	69	60	M20	140	125	10	18	64
		4, 6, 8, ●	–	–	–	–	–	–	–	–	–	75	M20	140	125	10	20	79.5	65	M20	140	125	10	18	69
	1LG4288	2	252	24	30	1070	1108	1215	236	1180	1218	65	M20	140	125	10	18	69	60	M20	140	125	10	18	64
		4	–	–	–	–	–	–	–	–	–	75	M20	140	125	10	20	79.5	65	M20	140	125	10	18	69
		6, 8	–	–	–	960	–	1105	–	1070	–	75	M20	140	125	10	20	79.5	65	M20	140	125	10	18	69
315 S	1LG4310	2	285	28	35	1072	1142	1217	307	1182	1252	65	M20	140	125	10	18	69	60	M20	140	125	10	18	64
		4, 6, 8, ●	–	–	–	1102	–	1247	–	1212	–	80	M20	170	140	25	22	85	70	M20	140	125	10	20	74.5
315 M ³⁾	1LG4313	2	285	28	35	1072	1142	1217	307	1182	1252	65	M20	140	125	10	18	69	60	M20	140	125	10	18	64
		4, 6, 8, ●	–	–	–	1102	–	1247	–	1212	–	80	M20	170	140	25	22	85	70	M20	140	125	10	20	74.5
315 L ³⁾	1LG4316/317	2	285	28	35	1232	1302	1377	307	1342	1412	65	M20	140	125	10	18	69	60	M20	140	125	10	18	64
		4, 6, 8, ●	–	–	–	1262	–	1407	–	1372	–	80	M20	170	140	25	22	85	70	M20	140	125	10	20	74.5
	1LG4318	8	–	–	–	–	–	–	–	–	–	80	M20	170	140	25	22	85	70	M20	140	125	10	20	74.5
		6	285	28	35	1402	–	1547	307	1512	–	80	M20	170	140	25	22	85	70	M20	140	125	10	20	74.5

● Pole-changing motors

¹⁾ For version with low-noise fan for 2-pole motors.

²⁾ In the low-noise version, a second shaft extension and/or mounted encoder is not possible.

³⁾ With order codes for connection box positions (K09, K10, K11) only fitted feet with 3 drilled holes with dimension "B" (406, 457 and 508 mm). BB will then be 666 mm.