

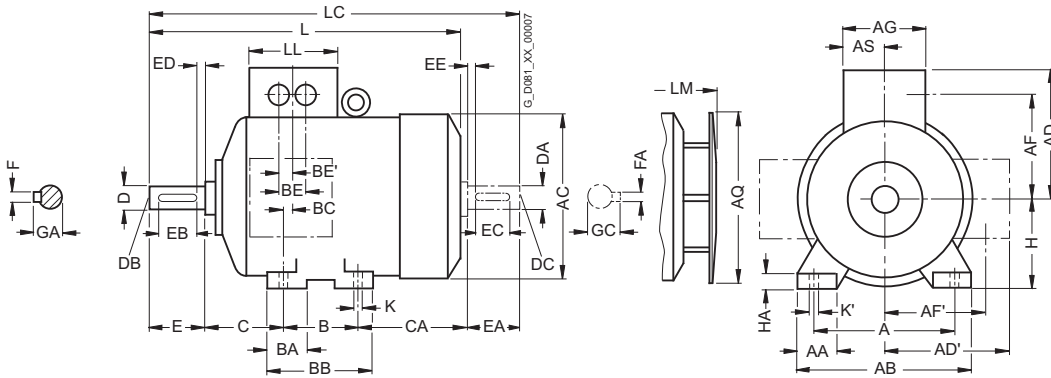
SIMOTICS SD 1LA Standard Motors

Dimensions

Cast-iron series 1LA6
Frame sizes 100 L to 160 L

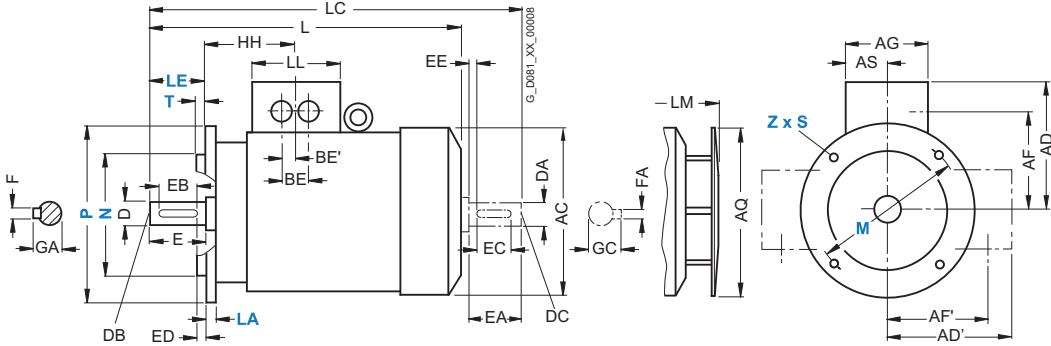
Dimensional drawings

Type of construction IM B3



Types of construction IM B5 and IM V1

For flange dimensions, see section flange dimension (Z = the number of retaining holes)



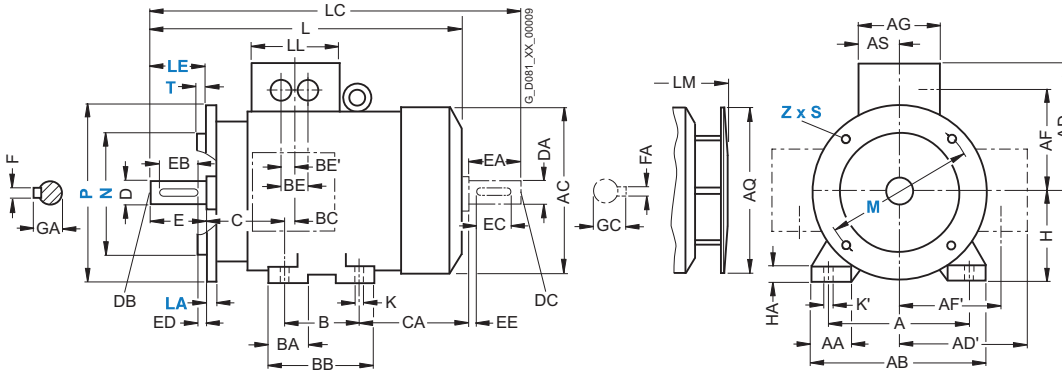
| For motor | | Dimension designation acc. to IEC | | | | | | | | | | | | | | | | | | | | | |
|------------|--------------------|-----------------------------------|-----|------|-----|------------------|-----|-----|-----|-----|-----|-----|------|-----|----|-----|----|----|-----|-----|-------|-----|----|
| Frame size | Type | Number of poles | A | AA | AB | AC ¹⁾ | AD | AD' | AF | AF' | AG | AQ | AS | B | BA | BB | BC | BE | BE' | C | CA | H | HA |
| 100 L | 1LA6106 1LA6107 | 2, 4, 6, 8 4, 8 | 160 | 40 | 196 | 201 | 164 | 164 | 124 | 124 | 121 | 170 | 60.5 | 140 | 46 | 180 | 42 | 44 | 22 | 63 | 125 | 100 | 12 |
| 112 M | 1LA6113 | 2, 4, 6, 8 | 190 | 42.5 | 226 | 225.5 | 178 | 178 | 138 | 138 | 121 | 170 | 60.5 | 140 | 46 | 180 | 34 | 44 | 22 | 70 | 141 | 112 | 15 |
| 132 S | 1LA6130 1LA6131 | 2, 4, 6, 8 2 | 216 | 50 | 256 | 265 | 194 | 194 | 154 | 154 | 141 | 250 | 70.5 | 140 | 47 | 180 | 42 | 44 | 22 | 89 | 162.5 | 132 | 17 |
| 132 M | 1LA6133 1LA6134 | 4, 6, 8 6 | 216 | 50 | 256 | 265 | 194 | 194 | 154 | 154 | 141 | 250 | 70.5 | 178 | 49 | 218 | 42 | 44 | 22 | 89 | 124.5 | 132 | 17 |
| 160 M | 1LA6163 1LA6164 | 2, 4, 6, 8 2, 8 | 254 | 60 | 300 | 320 | 226 | 226 | 183 | 183 | 166 | 250 | 83 | 210 | 63 | 256 | 52 | 54 | 27 | 108 | 183 | 160 | 18 |
| 160 L | 1LA6166 | 2, 4, 6, 8 | 254 | 60 | 300 | 320 | 226 | 226 | 183 | 183 | 166 | 250 | 83 | 254 | 63 | 300 | 52 | 54 | 27 | 108 | 139 | 160 | 18 |

¹⁾ Measured across the bolt heads.

Dimensional drawings (continued)

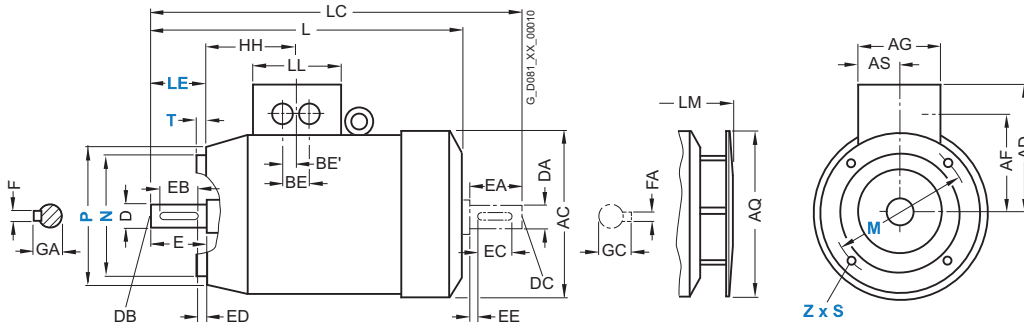
Type of construction IM B35

For flange dimensions, see section flange dimension (Z = the number of retaining holes)



Type of construction IM B14

For flange dimensions, see section flange dimension (Z = the number of retaining holes)



| For motor | | Dimension designation acc. to IEC | | | | | | | | | | DE shaft extension | | | | NDE shaft extension | | | | | | | |
|------------|--------------------|-----------------------------------|-------|------|----|-------|-------|-----|-------|----|-----|--------------------|----|----|----|---------------------|----|-----|-----|----|----|----|----|
| Frame size | Type | Number of poles | HH | K | K' | L | LC | LL | LM | D | DB | E | EB | ED | F | GA | DA | DC | EA | EC | EE | FA | GC |
| 100 L | 1LA6106 1LA6107 | 2, 4, 6, 8 4, 8 | 104.5 | 12 | 16 | 372 | 438 | 121 | 423.5 | 28 | M10 | 60 | 50 | 5 | 8 | 31 | 24 | M8 | 50 | 40 | 5 | 8 | 27 |
| 112 M | 1LA6113 | 2, 4, 6, 8 | 104.5 | 12 | 16 | 393 | 461 | 121 | 444.5 | 28 | M10 | 60 | 50 | 5 | 8 | 31 | 24 | M8 | 50 | 40 | 5 | 8 | 27 |
| 132 S | 1LA6130 1LA6131 | 2, 4, 6, 8 2 | 130.5 | 12 | 16 | 453.5 | 551.5 | 141 | 506 | 38 | M12 | 80 | 70 | 5 | 10 | 41 | 38 | M12 | 80 | 70 | 5 | 10 | 41 |
| 132 M | 1LA6133 1LA6134 | 4, 6, 8 6 | 130.5 | 12 | 16 | 453.5 | 551.5 | 141 | 506 | 38 | M12 | 80 | 70 | 5 | 10 | 41 | 38 | M12 | 80 | 70 | 5 | 10 | 41 |
| 160 M | 1LA6163 1LA6164 | 2, 4, 6, 8 2, 8 | 160 | 14.5 | 18 | 588 | 721 | 166 | 640.5 | 42 | M16 | 110 | 90 | 10 | 12 | 45 | 42 | M16 | 110 | 90 | 10 | 12 | 45 |
| 160 L | 1LA6166 | 2, 4, 6, 8 | 160 | 14.5 | 18 | 588 | 721 | 166 | 640.5 | 42 | M16 | 110 | 90 | 10 | 12 | 45 | 42 | M16 | 110 | 90 | 10 | 12 | 45 |