

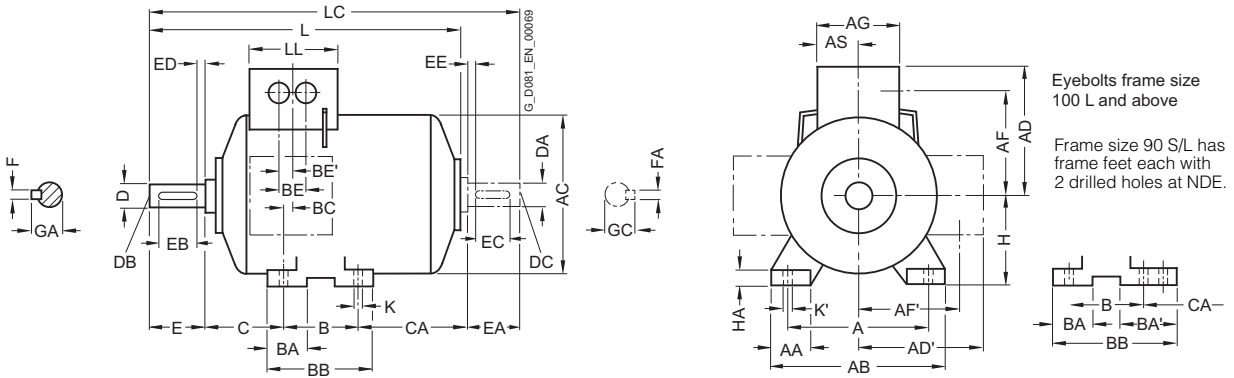
SIMOTICS GP 1LP Standard Motors

Dimensions

Aluminum series 1LP7 and 1LP5
Frame sizes 63 M to 200 L

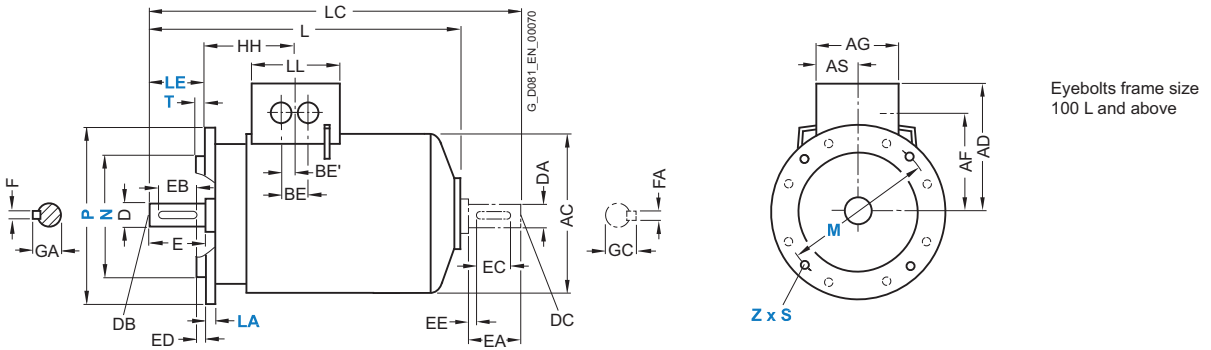
Dimensional drawings

Type of construction IM B3



Types of construction IM B5 and IM V1

For flange dimensions, see section flange dimension (Z = the number of retaining holes)



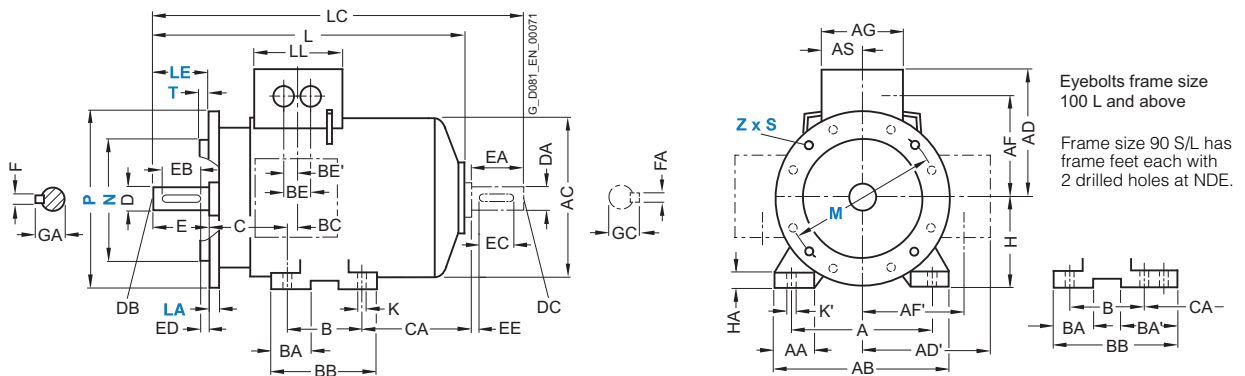
For motor		Dimension designation acc. to IEC																					
Frame size	Type	Number of poles	A	AA	AB	AC	AD	AD'	AF	AF'	AG	AS	B*	BA	BA'	BB	BC	BE	BE'	C	CA*	H	HA
63 M	1LP7060 1LP7063	2, 4, 6	100	27	120	124	101	101	78	78	75	37.5	80	28	-	96	30	32	18	40	40	63	7
71 M	1LP7070 1LP7073	2, 4, 6, 8	112	27	132	145	111	111	88	88	75	37.5	90	27	-	106	18	32	18	45	42	71	7
80 M	1LP7080 1LP7083	2, 4, 6, 8	125	30.5	150	163	120	120	97	97	75	37.5	100	32	-	118	14	32	18	50	47	80	8
90 S 90 L	1LP7090 1LP7096	2, 4, 6, 8	140	30.5	165	180	128	128	105	105	75	37.5	100 125	33	54	143	23	32	18	56	80 55	90	10
100 L	1LP7106 1LP7107	2, 4, 6, 8 4, 8	160	42	196	203	135	163	78	123	120	60	140	47	-	176	39	42	21	63	68	100	12
112 M	1LP7113	2, 4, 6, 8	190	46	226	227	148	176	91	136	120	60	140	47	-	176	32	42	21	70	79	112	12
132 S	1LP7130 1LP7131	2, 4, 6, 8 2	216	53	256	267	167	194	107	154	140	70	140	49	-	180	39	42	21	89	96	132	15
132 M	1LP7133 1LP7134	4, 6, 8 6	216	53	256	267	167	194	107	154	140	70	178	49	-	218	39	42	21	89	58	132	15
160 M	1LP7163 1LP7164	2, 4, 6, 8 2, 8	254	60	300	320	197	226	127	183	165	82.5	210	57	-	256	52.5	54	27	108	107	160	18
160 L	1LP7166	2, 4, 6, 8	254	60	300	320	197	226	127	183	165	82.5	254	57	-	300	52.5	54	27	108	63	160	18
180 M	1LP5183	2, 4	279	69.5	339	363	258	258	216	216	152	71	241	50	-	287	38	54	27	121	145	180	18
180 L	1LP5186	4, 6, 8	279	69.5	339	363	258	258	216	216	152	71	279	50	-	325	38	54	27	121	107	180	18
200 L	1LP5206 1LP5207	2, 6 2, 4, 6, 8	318	83	388	402	305	305	252	252	260	96	305	58.5	-	355	45	85	42.5	133	133	200	24

* This dimension is assigned in DIN EN 50347 to the frame size listed.

Dimensional drawings (continued)

Type of construction IM B35

For flange dimensions, see section flange dimension (Z = the number of retaining holes)

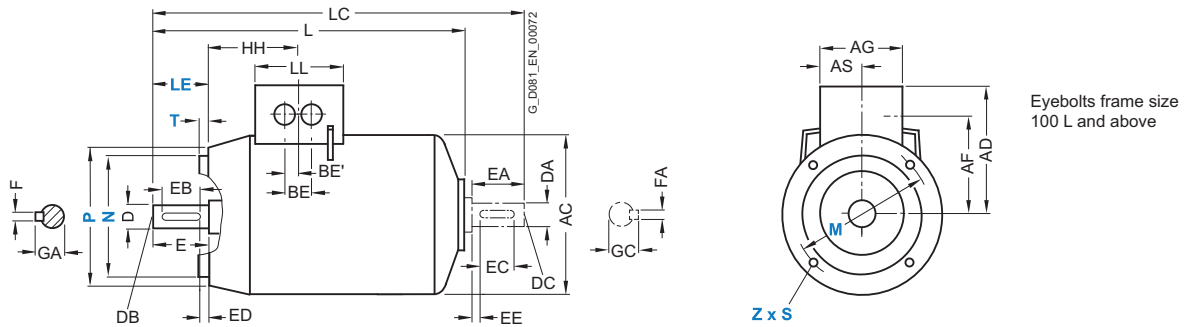


Eyebolts frame size 100 L and above
Frame size 90 S/L has frame feet each with 2 drilled holes at NDE.

Type of construction IM B14

Type of construction IM B14 not possible for 1LP5 motors, frame sizes 180 M to 200 L

For flange dimensions, see section flange dimension (Z = the number of retaining holes)



Eyebolts frame size 100 L and above

For motor		Dimension designation acc. to IEC						DE shaft extension					NDE shaft extension									
Frame size	Type	Number of poles	HH	K	K'	L	LC	LL	D	DB	E	EB	ED	F	GA	DA	DC	EA	EC	EE	FA	GC
63 M	1LP7060 1LP7063	2, 4, 6	69.5	7	10	172 ¹⁾	206 ¹⁾	75	11	M4	23	16	3.5	4	12.5	11	M4	23	16	3.5	4	12.5
71 M	1LP7070 1LP7073	2, 4, 6, 8	63.5	7	10	207	240	75	14	M5	30	22	4	5	16	14	M5	30	22	4	5	16
80 M	1LP7080 1LP7083	2, 4, 6, 8	63.5	9.5	13.5	237	280	75	19	M6	40	32	4	6	21.5	19	M6	40	32	4	6	21.5
90 S 90 L	1LP7090 1LP7096	2, 4, 6, 8	79	10	14	286 286	333 333	75	24	M8	50	40	5	8	27	19	M6	40	32	4	6	21.5
100 L	1LP7106 1LP7107	2, 4, 6, 8 4, 8	102	12	16	331	385 ²⁾	120	28	M10	60	50	5	8	31	24	M8	50	40	5	8	27
112 M	1LP7113	2, 4, 6, 8	102	12	16	349 ³⁾	403 ⁴⁾	120	28	M10	60	50	5	8	31	24	M8	50	40	5	8	27
132 S	1LP7130 1LP7131	2, 4, 6, 8 2	128	12	16	397	485	140	38	M12	80	70	5	10	41	38	M12	80	70	5	10	41
132 M	1LP7133 1LP7134	4, 6, 8 6	128	12	16	397	485	140	38	M12	80	70	5	10	41	38	M12	80	70	5	10	41
160 M	1LP7163 1LP7164	2, 4, 6, 8 2, 8	160.5	15	19	529	645	165	42	M16	110	90	10	12	45	42	M16	110	90	10	12	45
160 L	1LP7166	2, 4, 6, 8	160.5	15	19	529	645	165	42	M16	110	90	10	12	45	42	M16	110	90	10	12	45
180 M	1LP5183	2, 4	159	15	19	611	727	132	48	M16	110	100	5	14	51.5	48	M16	110	100	5	14	51.5
180 L	1LP5186	4, 6, 8	159	15	19	611	727	132	48	M16	110	100	5	14	51.5	48	M16	110	100	5	14	51.5
200 L	1LP5206 1LP5207	2, 6 2, 4, 6, 8	178	19	25	675	791	192	55	M20	110	100	5	16	59	55	M20	110	100	5	16	59

1) For 1LP7063 in the case of type of construction code 1 (IM B5, IM V1 without protective cover, IM V3), dimensions L and LC are 26 mm longer.

2) 381 mm for IM B14 type of construction.

3) 345 mm for IM B5 type of construction.

4) 399 mm for IM B5 type of construction.