

SIMOTICS GP 1LE1/1PC1 Standard Motors

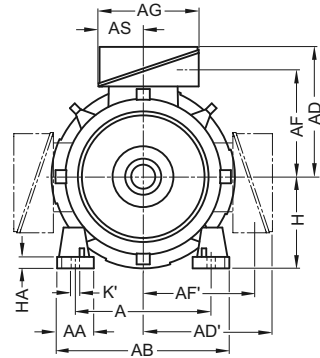
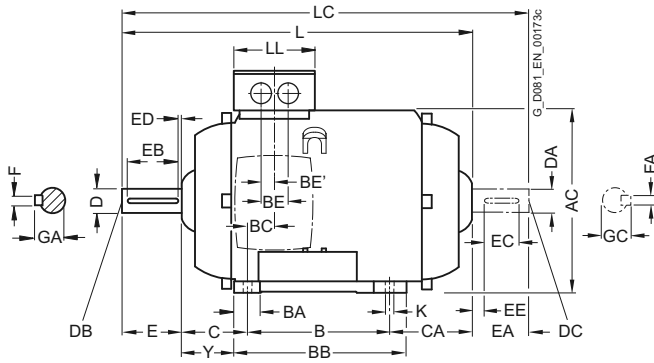
Dimensions

Aluminum series 1LE1023

Forced-air cooled, frame sizes 100 L to 160 L

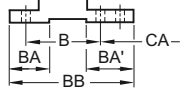
Dimensional drawings

Type of construction IM B3



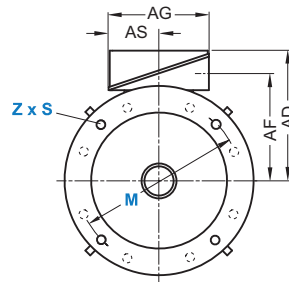
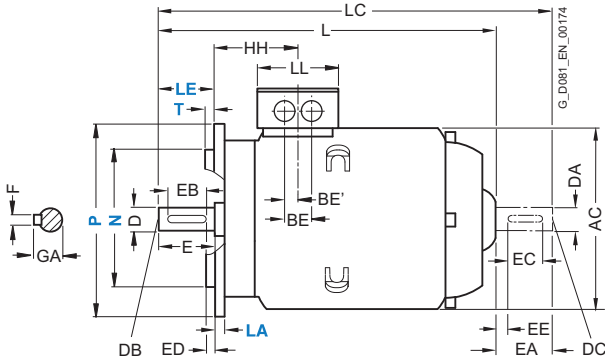
Eyebolts from frame size 100 L

Integral feet only for frame sizes 132 S/M and 160 L/M have 2 holes at NDE



Types of construction IM B5, IM V1

For flange dimensions, see section flange dimension (Z = the number of retaining holes)



Eyebolts from frame size 100 L

For motor		Dimension designation acc. to IEC																							
Frame size	Number of poles	Motor type	A	AA	AB	AC	AD	AD'	AF	AF'	AG	AQ	AS	B*	BA	BA'	BB	BC	BE	BE'	C ¹⁾	CA*	H	HA	Y ¹⁾
100 L	2, 4	1AA4, 1AB4, 1AB5	160	42	196	198	166	166	125.5	125.5	135	195	63.5	140	37.5	-	176	33.5	50	25	63	-	100	12	45
112 M	2, 4	1BA2, 1BB2	190	46	226	222	177	177	136.5	136.5	135	195	63.5	140	35.4	-	176	26	50	25	70	-	112	12	52
132 S	2, 6	1CA0, 1CC0	216	53	256	262	202	202	159.5	159.5	155	260	70.5	140	38	76 ²⁾	218 ³⁾	26.5	48	24	89	-	132	15	69
	2, 4	1CA1, 1CB0														-									
132 M	6	1CC2	216	53	256	262	202	202	159.5	159.5	155	260	70.5	178	38	76	218	26.5	48	24	89	-	132	15	69
	4, 6, 8	1CB2, 1CC3														-									
160 M	2, 4, 6	1DA2, 1DA3, 1DB2, 1DC2	254	60	300	314	236.5	236.5	190	190	175	260	77.5	210	44	89 ⁴⁾	300 ⁵⁾	47	57	28.5	108	-	160	18	85
160 L	2, 4, 6	1DA4, 1DB4, 1DC4	254	60	300	314	236.5	236.5	190	190	175	260	77.5	254	44	-	300	47	57	28.5	108	-	160	18	85

* This dimension is assigned in DIN EN 50347 to the frame size listed.

1) Additional information – not a standard dimension according to DIN EN 50347.

2) With screwed-on feet, dimension BA' is 38 mm.

3) With screwed-on feet, dimension BB is 180 mm.

4) With screwed-on feet, dimension BA' is 44 mm.

5) With screwed-on feet, dimension BB is 256 mm.

SIMOTICS GP 1LE1/1PC1 Standard Motors

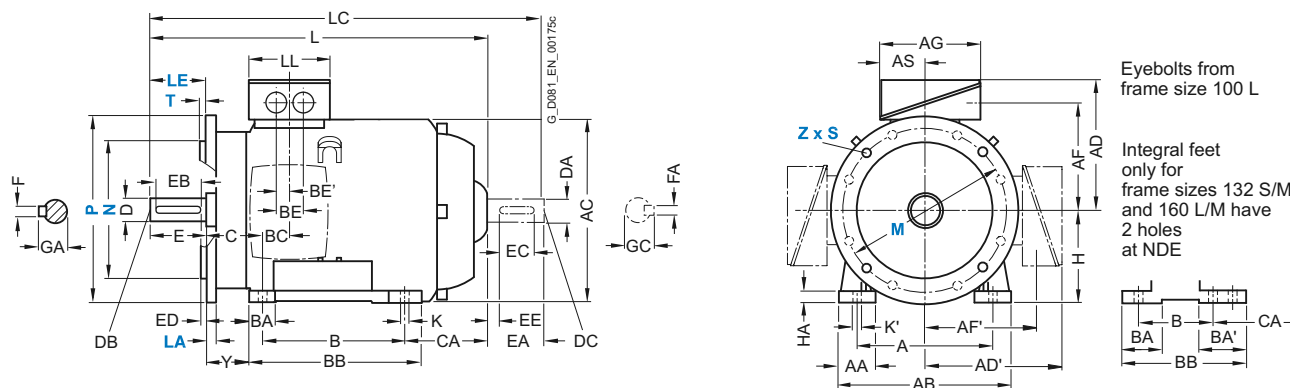
Dimensions

Aluminum series 1LE1023
Forced-air cooled, frame sizes 100 L to 160 L

Dimensional drawings (continued)

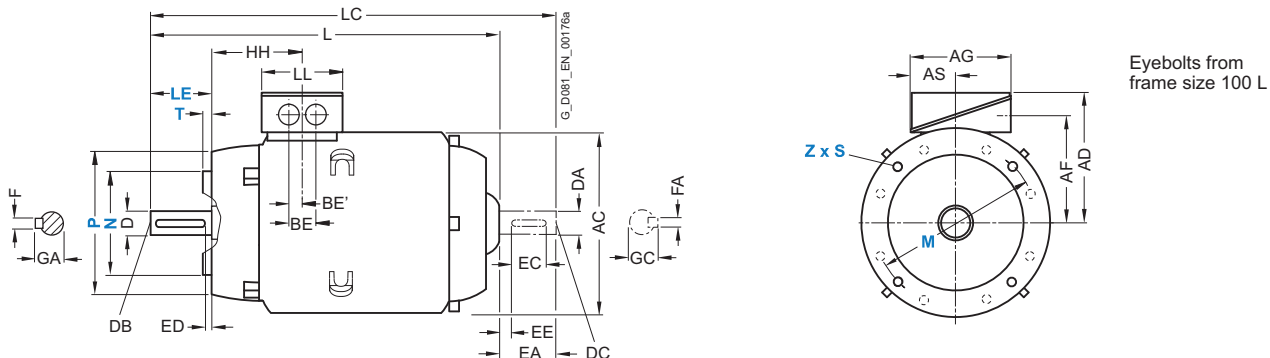
Type of construction IM B35

For flange dimensions, see section flange dimension (Z = the number of retaining holes)



Type of construction IM B14

For flange dimensions, see section flange dimension (Z = the number of retaining holes)



For motor		Dimension designation acc. to IEC											DE shaft extension			NDE shaft extension						
Frame size	Number of poles	Motor type 1LE1023	HH	K	K'	L ¹⁾	LC	LL	D	DB	E	EB	ED	F	GA	DA	DC	EA	EC	EE	FA	GC
100 L	2, 4	1AA4, 1AB4, 1AB5	96.5	12	16	356.5	-	112	28	M10	60	50	5	8	31	-	-	-	-	-	-	-
112 M	2, 4	1BA2, 1BB2	96	12	16	336	-	112	28	M10	60	50	5	8	31	-	-	-	-	-	-	-
132 S	2, 6	1CA0, 1CC0	115.5	12	16	380.5	-	130	38	M12	80	70	5	10	41	-	-	-	-	-	-	-
	2, 4	1CA1, 1CB0				430.5	-									-	-	-	-	-	-	-
132 M	6	1CC2	115.5	12	16	380.5	-	130	38	M12	80	70	5	10	41	-	-	-	-	-	-	-
	4, 6	1CB2, 1CC3				430.5	-									-	-	-	-	-	-	-
160 M	2, 4, 6	1DA2, 1DA3, 1DB2, 1DC2	155	15	19	510	-	145	42	M16	110	90	10	12	45	-	-	-	-	-	-	-
160 L	2, 4, 6	1DA4, 1DB4, 1DC4	155	15	19	570	-	145	42	M16	110	90	10	12	45	-	-	-	-	-	-	-

¹⁾ The length is specified as far as the tip of the fan cover.