

# SIMOTICS GP 1LE1 Standard Motors

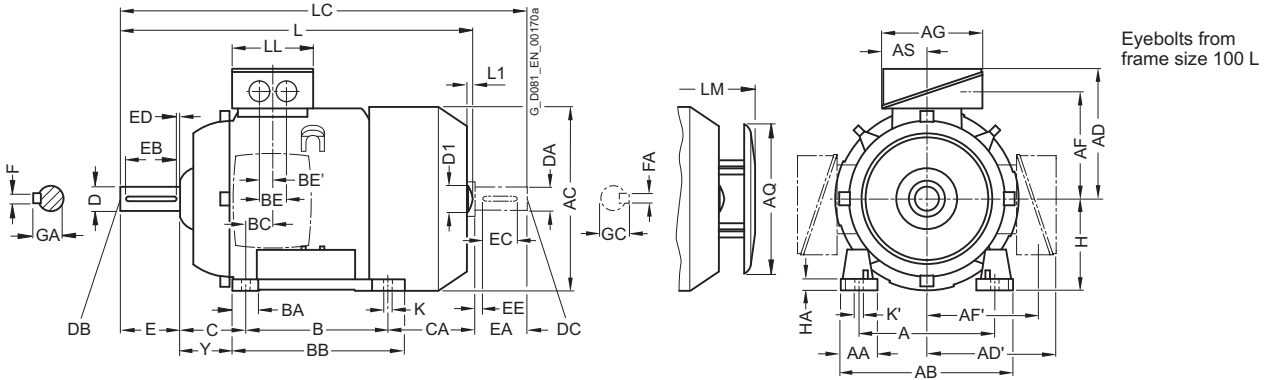
## Dimensions

Aluminum series 1LE1001, 1LE1002

Self-ventilated, with increased output, frame sizes 100 L to 160 L

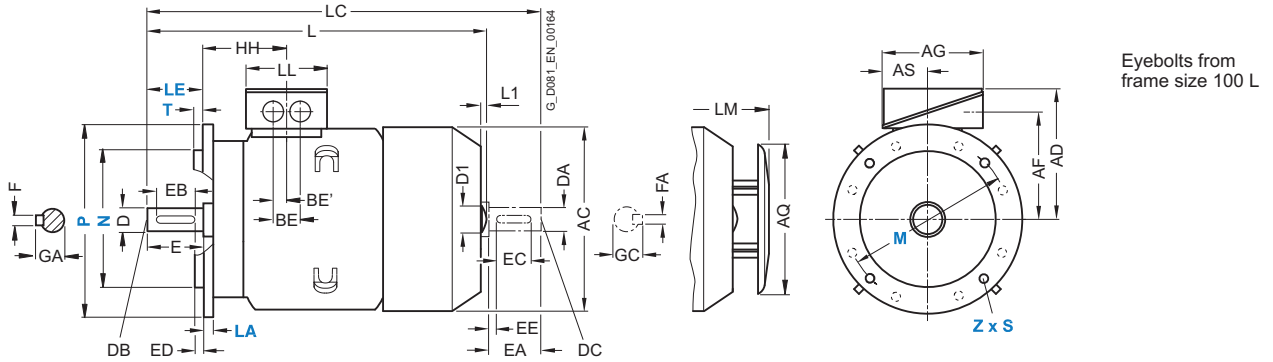
### Dimensional drawings

#### Type of construction IM B3



#### Types of construction IM B5, IM V1

For flange dimensions, see section flange dimension (Z = the number of retaining holes)



For motor		Dimension designation acc. to IEC																						
Frame size	Number of poles	A	AA	AB	AC	AD	AD'	AF	AF'	AG	AQ	AS	B*	BA	BA'	BB	BC	BE	BE'	C <sup>1)</sup>	CA*	H	HA	Y <sup>1)</sup>
100 L	2, 4, 6, 8	160	42	196	198	166	166	125.5	125.5	135	195	63.5	140	37.5	-	176	33.5	50	25	63	176	100	12	45
112 M	2, 4, 6, 8	190	46	226	222	177	177	136.5	136.5	135	195	63.5	140	35.4	-	176	26	50	25	70	155	112	12	52
132 M	2, 4, 6, 8	216	53	256	262	202	202	159.5	159.5	155	260	70.5	178	38	-	218	26.5	48	24	89	178.5	132	15	69
160 L	2, 4, 6, 8	254	60	300	314	236.5	236.5	190	190	175	260	77.5	254	44	-	300	47	57	28.5	108	208	160	18	85

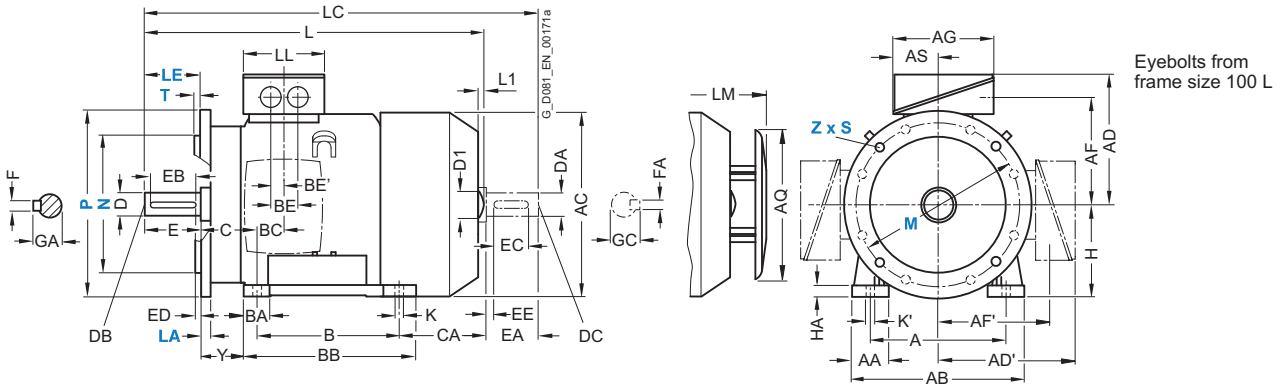
\* This dimension is assigned in DIN EN 50347 to the frame size listed.

<sup>1)</sup> Additional information – not a standard dimension according to DIN EN 50347.

### Dimensional drawings (continued)

#### Type of construction IM B35

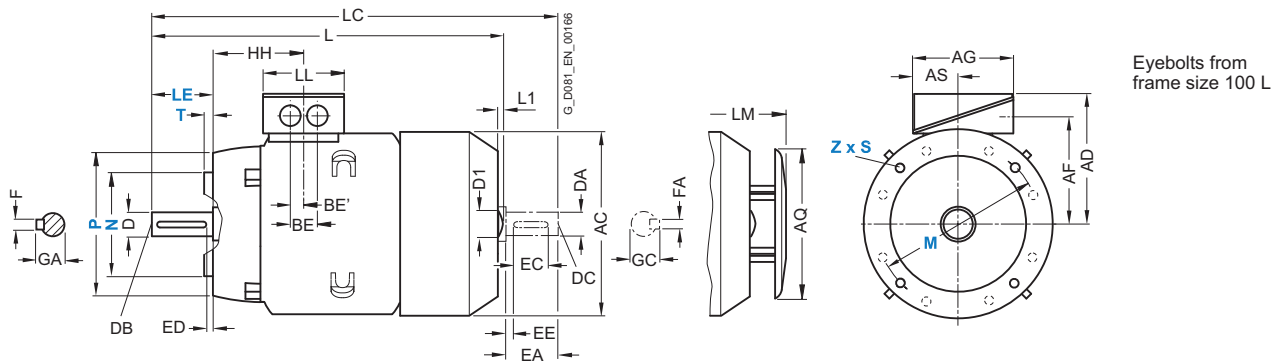
For flange dimensions, see section flange dimension (Z = the number of retaining holes)



Eyebolts from frame size 100 L

#### Type of construction IM B14

For flange dimensions, see section flange dimension (Z = the number of retaining holes)



Eyebolts from frame size 100 L

For motor		Dimension designation acc. to IEC							DE shaft extension					NDE shaft extension										
Frame size	Number of poles	HH	K	K'	L <sup>1)</sup>	L1	D1	LC	LL	LM	D	DB	E	EB	ED	F	GA	DA	DC	EA	EC	EE	FA	GC
100 L	2, 4, 6, 8	96.5	12	16	430.5	7	32	489	112	463.5	28	M10	60	50	5	8	31	24	M8	50	40	5	8	27
112 M	2, 4, 6, 8	96	12	16	414	7	32	475	112	447	28	M10	60	50	5	8	31	24	M8	50	40	5	8	27
132 M	2, 4, 6, 8	115.5	12	16	515	8.5	39	585.5	130	566.5	38	M12	80	70	5	10	41	28	M10	60	50	5	8	31
160 L	2, 4, 6, 8	155	15	19	664	10	45	790	145	714	42	M16	110	90	10	12	45	42	M16	110	90	10	12	45

<sup>1)</sup> The length is specified as far as the tip of the fan cover.