

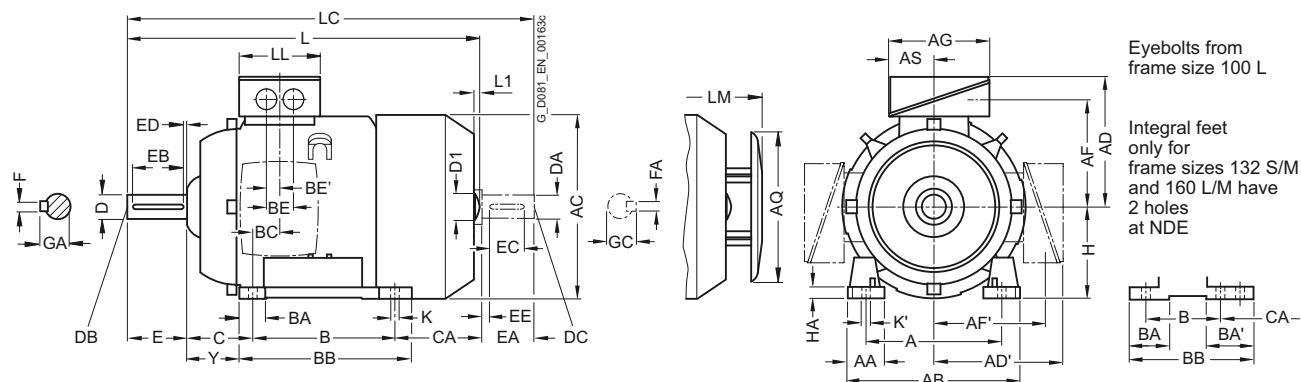
# SIMOTICS GP 1LE1 Standard Motors

## Dimensions

Aluminum series 1LE1001, 1LE1002, 1LE1011, 1LE1012, 1LE1021  
Self-ventilated, frame sizes 100 L (80 M) to 160 L

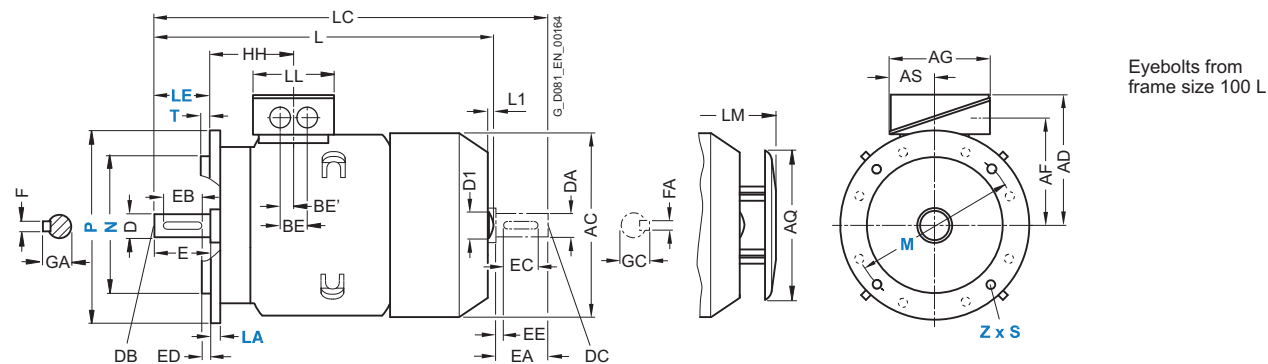
### Dimensional drawings

#### Type of construction IM B3



#### Types of construction IM B5, IM V1

For flange dimensions, see section flange dimension (Z = the number of retaining holes)



For motor			Dimension designation acc. to IEC																						
Frame size	Number of poles	Motor type	A	AA	AB	AC	AD	AD'	AF	AF'	AG	AQ	AS	B*	BA	BA'	BB	BC	BE	BE'	C <sup>1)</sup>	CA*	H	HA	Y <sup>1)</sup>
80 M	2, 4, 6		125	30.5	150	159	121	-	96.5	-	93	-	43	100	32	-	118	23	-	18 <sup>2)</sup>	50	-	80	8	41
90 S	2, 4, 6	1LE1001	140	30.5	165	178	126	-	101.5	-	93	-	43	100	33	-	143	22.5	-	18 <sup>2)</sup>	56	-	90	10	47
90 L	2, 4, 6		140	30.5	165	178	126	-	101.5	-	93	-	43	125	33	-	143	22.5	-	18 <sup>2)</sup>	56	-	90	10	47
100 L	2, 4, 6, 8	All	160	42	196	198	166	166	125.5	125.5	135	195	63.5	140	37.5	-	176	33.5	50	25	63	141	100	12	45
112 M	2, 4, 6, 8	All	190	46	226	222	177	177	136.5	136.5	135	195	63.5	140	35.4	-	176	26	50	25	70	129.7	112	12	52
132 S	2, 4, 6, 8	All	216	53	256	262	202	202	159.5	159.5	155	260	70.5	140	38	76 <sup>3)</sup>	218 <sup>4)</sup>	26.5	48	24	89	128.5 <sup>5)</sup>	132	15	69
132 M	2, 4, 6, 8	All	216	53	256	262	202	202	159.5	159.5	155	260	70.5	178	38	76	218	26.5	48	24	89	128.5 <sup>5)</sup>	132	15	69
160 M	2, 4, 6, 8	All	254	60	300	314	236.5	190	190	175	260	77.5	210	44	89 <sup>6)</sup>	300 <sup>7)</sup>	47	57	28.5	108	148 <sup>8)</sup>	160	18	85	
160 L	2, 4, 6, 8	All	254	60	300	314	236.5	236.5	190	190	175	260	77.5	254	44	89	300	47	57	28.5	108	148 <sup>8)9)</sup>	160	18	85

\* This dimension is assigned in DIN EN 50347 to the frame size listed.

1) Additional information – not a standard dimension according to DIN EN 50347.

2) Connecting hole for terminal box is on the side at the rear of the terminal box.

3) With screwed-on feet, dimension BA' is 38 mm.

4) With screwed-on feet, dimension BB is 180 mm.

5) With screwed-on feet, dimension CA is 166.5 mm.

6) With screwed-on feet, dimension BA' is 44 mm.

7) With screwed-on feet, dimension BB is 256 mm.

8) With screwed-on feet, dimension CA is 192 mm.

9) Only for pole-changing types 1LE1011-1DP6 and 1LE1012-1DQ6, dimension CA\* is 208 mm.

# SIMOTICS GP 1LE1 Standard Motors

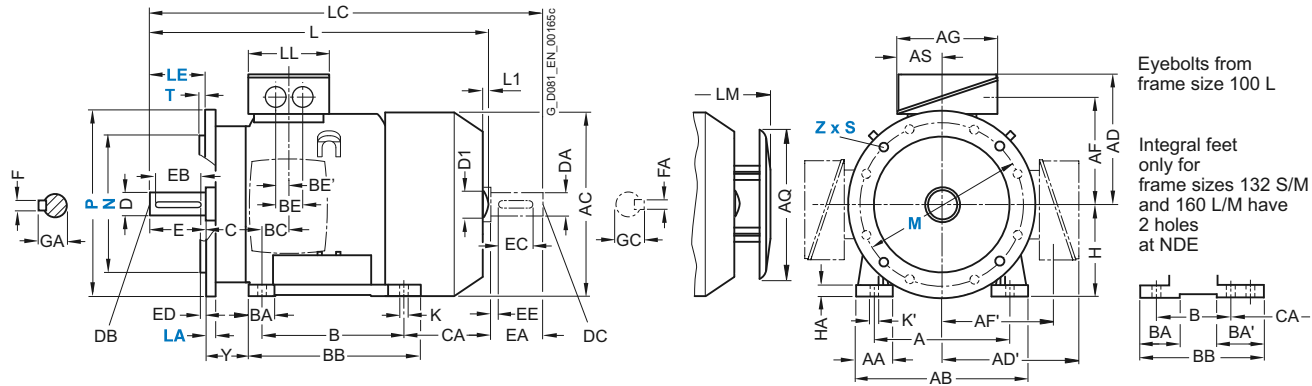
## Dimensions

Aluminum series 1LE1001, 1LE1002, 1LE1011, 1LE1012, 1LE1021  
Self-ventilated, frame sizes 100 L (80 M) to 160 L

### Dimensional drawings (continued)

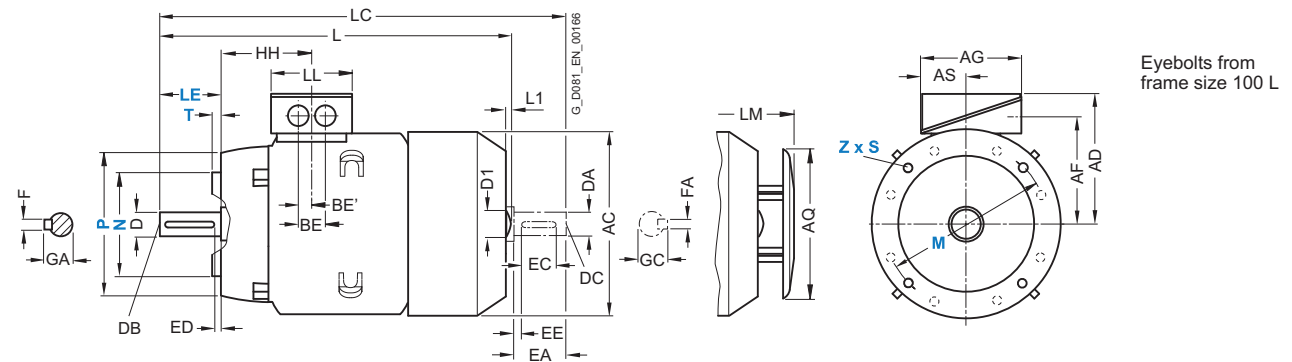
#### Type of construction IM B35

For flange dimensions, see section flange dimension (Z = the number of retaining holes)



#### Type of construction IM B14

For flange dimensions, see section flange dimension (Z = the number of retaining holes)



For motor			Dimension designation acc. to IEC								DE shaft extension						NDE shaft extension								
Frame size	Number of poles	Motor type	HH	K	K'	L	L1	D1	LC	LL	LM	D	DB	E	EB	ED	F	GA	DA	DC	EA	EC	EE	FA	GC
80 M	2, 4, 6		73	9.5	13.5	292	-	-	-	79	-	19	M6	40	32	4	6	21.5	19	M6	40	32	4	6	21.5
90 S	2, 4, 6	1LE1001	78.5	10	14	347	-	-	-	79	-	24	M8	50	40	5	8	27	19	M6	40	32	4	6	21.5
90 L	2, 4, 6		78.5	10	14	347	-	-	-	79	-	24	M8	50	40	5	8	27	19	M6	40	32	4	6	21.5
100 L	2, 4, 6, 8	All	96.5	12	16	395.5 <sup>1)</sup>	7	32	454	112	428.5	28	M10	60	50	5	8	31	24	M8	50	40	5	8	27
112 M	2, 4, 6, 8	All	96	12	16	389 <sup>1)</sup>	7	32	450	112	422	28	M10	60	50	5	8	31	24	M8	50	40	5	8	27
132 S	2, 4, 6, 8	All	115.5	12	16	465 <sup>1)</sup>	8.5	39	535.5	130	516.5	38	M12	80	70	5	10	41	28	M10	60	50	5	8	31
132 M	2, 4, 6, 8	All	115.5	12	16	465 <sup>1)</sup>	8.5	39	535.5	130	516.5	38	M12	80	70	5	10	41	28	M10	60	50	5	8	31
160 M	2, 4, 6, 8	All	155	15	19	604 <sup>1)</sup>	10	45	730	145	654	42	M16	110	90	10	12	45	42	M16	110	90	10	12	45
160 L	2, 4, 6, 8	All	155	15	19	604 <sup>1)2)</sup>	10	45	730 <sup>3)</sup>	145	654 <sup>4)</sup>	42	M16	110	90	10	12	45	42	M16	110	90	10	12	45

<sup>1)</sup> The length is specified as far as the tip of the fan cover.

<sup>2)</sup> Only for pole-changing types 1LE1011-1DP6 and 1LE1012-1DQ6, dimension L is 664 mm.

<sup>3)</sup> Only for pole-changing types 1LE1011-1DP6 and 1LE1012-1DQ6, dimension LC is 790 mm.

<sup>4)</sup> Only for pole-changing types 1LE1011-1DP6 and 1LE1012-1DQ6, dimension LM is 714 mm.