

# Motors

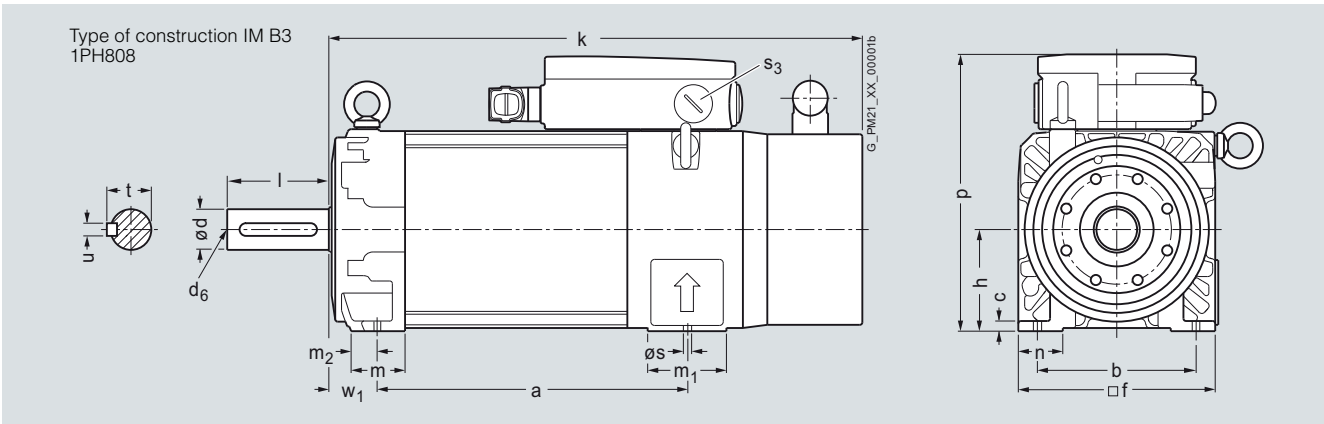
## Dimensional drawings

### 1PH8 asynchronous (induction) motors Forced ventilation – Shaft height 80

#### Dimensional drawings

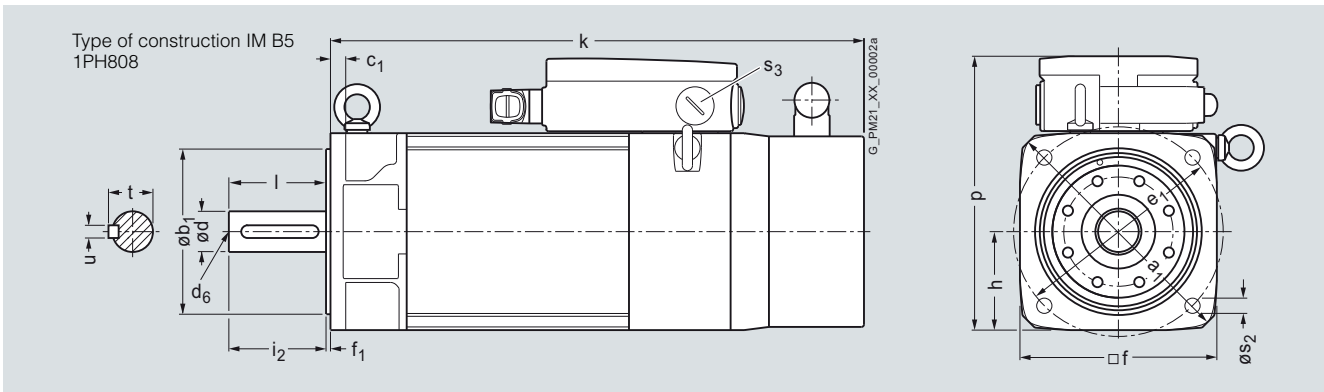
For motor Dimensions in mm (inches)

Shaft height	Type	DIN IEC B	a	b	c	f	h	k	m	m <sub>1</sub>	m <sub>2</sub>	n	p	s	s <sub>3</sub>	w <sub>1</sub>
			IEC B	A	HA	AB	H	LB	BA	-	-	AA	HD	K	-	C
<b>1PH8 motor, type of construction IM B3, forced ventilation</b>																
80	1PH8083	194	125	8	155	80	375	42	62	20	35	216	10	M25 × 1.5	38	
		(7.64)	(4.92)	(0.31)	(6.10)	(3.15)	(14.76)	(1.65)	(2.44)	(0.79)	(1.38)	(8.50)	(0.39)		(1.50)	
	1PH8087	244					425									
		(9.61)					(16.73)									



For motor Dimensions in mm (inches)

Shaft height	Type	DIN IEC P	a <sub>1</sub>	b <sub>1</sub>	c <sub>1</sub>	e <sub>1</sub>	f	f <sub>1</sub>	h	k	p	s <sub>2</sub>	s <sub>3</sub>
			IEC P	N	LA	M	AB	T	H	LB	HD	-	-
<b>1PH8 motor, type of construction IM B5, forced ventilation</b>													
80	1PH8083	200	130	12	165	155	3.5	77.5	375	213.5	12	M25 × 1.5	
		(7.87)	(5.12)	(0.47)	(6.50)	(6.10)	(0.14)	(3.05)	(14.76)	(8.41)	(0.47)		
	1PH8087							425					
								(16.73)					



Shaft extension DE

Shaft height	Type	DIN IEC D	d	d <sub>6</sub>	i <sub>2</sub>	l	t	u
			IEC D	-	E	E	GA	F
<b>1PH8 motor, types of construction IM B3/IM B5, forced ventilation</b>								
80	1PH8083	32	M12	80	80	35	10	
		(1.26)		(3.15)	(3.15)	(1.38)	(0.39)	
	1PH8087							

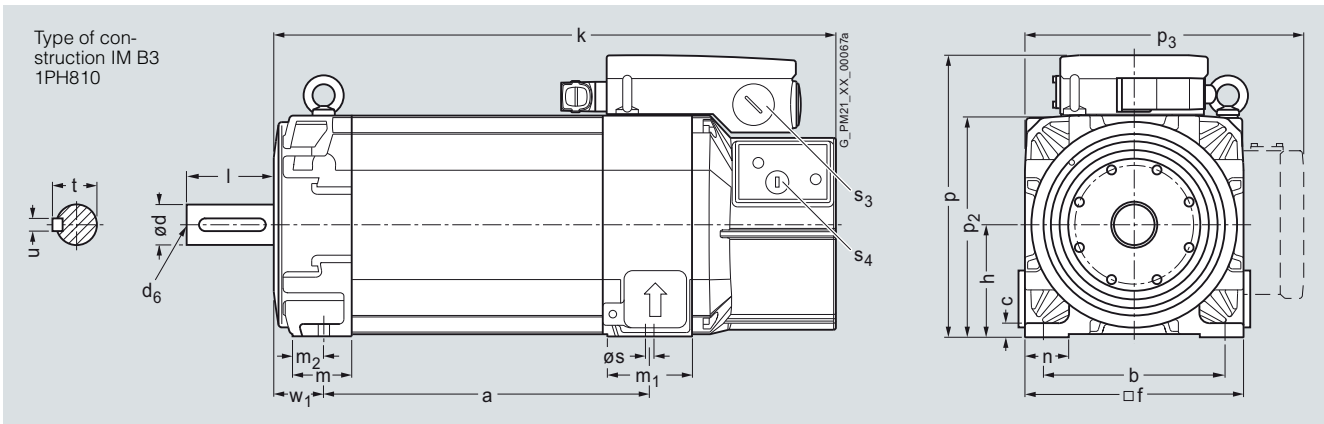
11

### 1PH8 asynchronous (induction) motors Forced ventilation – Shaft height 100

#### Dimensional drawings

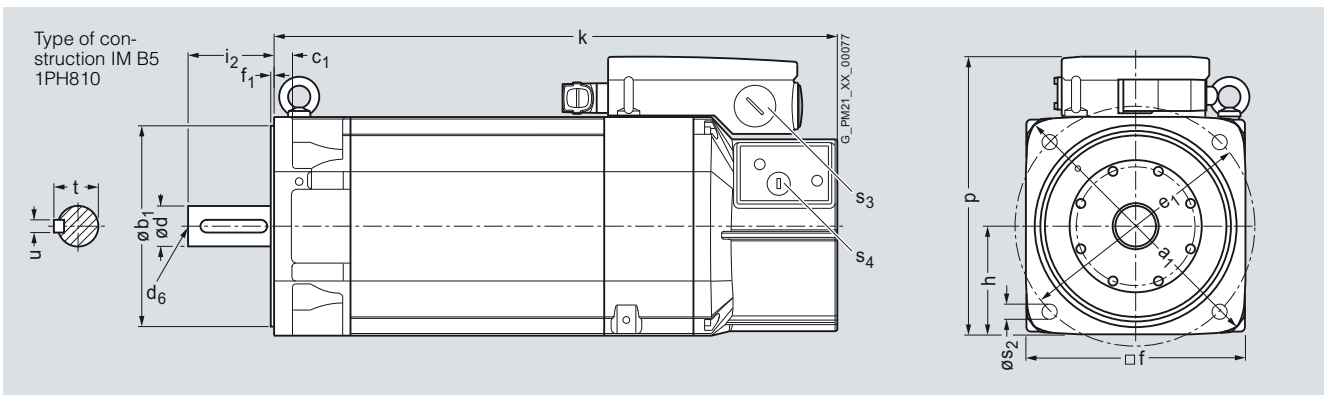
For motor Dimensions in mm (inches)

Shaft height	Type	DIN IEC B	a	b	c	f	h	k	m	m <sub>1</sub>	m <sub>2</sub>	n	p	p <sub>2</sub>	p <sub>3</sub>	s	s <sub>3</sub>	s <sub>4</sub>	W <sub>1</sub>	
			A	A	HA	AB	H	LB	BA	-	-	AA	HD	-	-	K	-	-	C	
<b>1PH8 motor, type of construction IM B3, forced ventilation</b>																				
100	1PH8101		167 (6.57)	160 (6.30)	11 (0.43)	196 (7.72)	100 (3.94)	369.5 (14.55)	49 (1.93)	74 (2.91)	24 (0.94)	40 (1.57)	252 (9.92)	198 (7.80)	276.5 (10.89)	12 (0.47)	M32 × 1.5	M20 × 1.5	43 (1.69)	
	1PH8103		202.5 (7.97)					405 (15.94)												
	1PH8105		262 (10.31)					464.5 (18.29)												
	1PH8107		297.5 (11.71)					500 (19.69)												



For motor Dimensions in mm (inches)

Shaft height	Type	DIN IEC P	a <sub>1</sub>	b <sub>1</sub>	c <sub>1</sub>	e <sub>1</sub>	f	f <sub>1</sub>	h	k	p	s <sub>2</sub>	s <sub>3</sub>	s <sub>4</sub>
			N	N	LA	M	AB	T	H	LB	HD	-	-	-
<b>1PH8 motor, type of construction IM B5, forced ventilation</b>														
100	1PH8101		250 (9.84)	180 (7.09)	16 (0.63)	215 (8.46)	196 (7.72)	4 (0.16)	98 (3.86)	369.5 (14.55)	250 (9.84)	14 (0.55)	M32 × 1.5	M20 × 1.5
	1PH8103									405 (15.94)				
	1PH8105									464.5 (18.29)				
	1PH8107									500 (19.69)				



# Motors

## Dimensional drawings

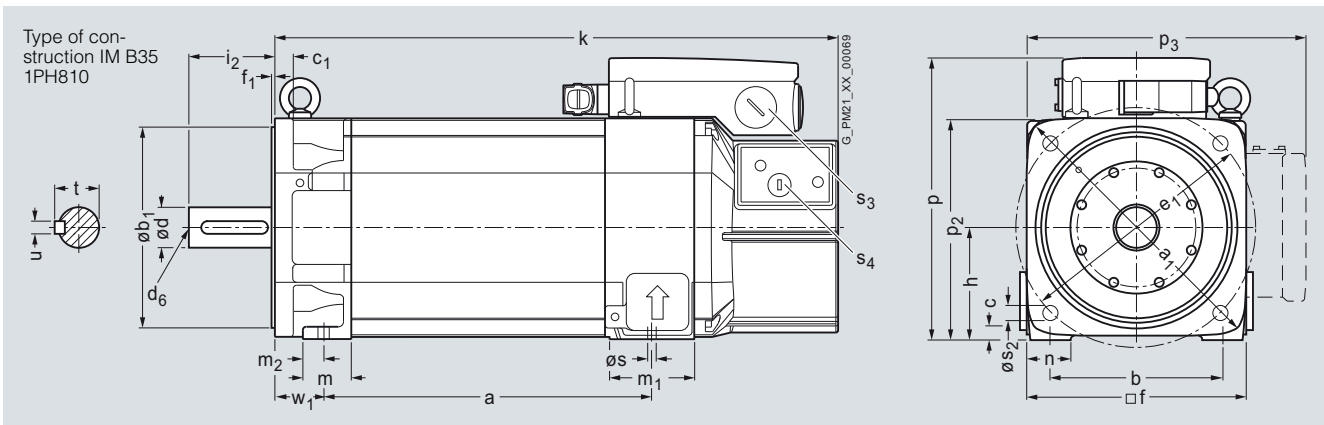
### 1PH8 asynchronous (induction) motors Forced ventilation – Shaft height 100

#### Dimensional drawings

For motor Dimensions in mm (inches)

Shaft height	Type	DIN IEC	a B	a <sub>1</sub> P	b A	b <sub>1</sub> N	c HA	c <sub>1</sub> LA	e <sub>1</sub> M	f AB	f <sub>1</sub> T	h H	k LB	m BA	m <sub>1</sub> –	m <sub>2</sub> –	n AA
<b>1PH8 motor, type of construction IM B35, forced ventilation</b>																	
100	1PH8101		167 (6.57)	250 (9.84)	160 (6.30)	180 (7.09)	11 (0.43)	16 (0.63)	215 (8.46)	196 (7.72)	4 (0.16)	100 (3.94)	369.5 (14.55)	44 (1.73)	74 (2.91)	19 (0.75)	40 (1.57)
	1PH8103			202.5 (7.97)									405 (15.94)				
	1PH8105			262 (10.31)									464.5 (18.29)				
	1PH8107			297.5 (11.71)									500 (19.69)				

Shaft height	Type	DIN IEC	p HD	p <sub>2</sub> –	p <sub>3</sub> –	s K	s <sub>2</sub> –	s <sub>3</sub> –	s <sub>4</sub> –	w <sub>1</sub> C
<b>1PH8 motor, type of construction IM B35, forced ventilation</b>										
100	1PH8101		252 (9.92)	198 (7.80)	276.5 (10.89)	12 (0.47)	14 (0.55)	M32 × 1.5	M20 × 1.5	43 (1.69)
	1PH8103									
	1PH8105									
	1PH8107									



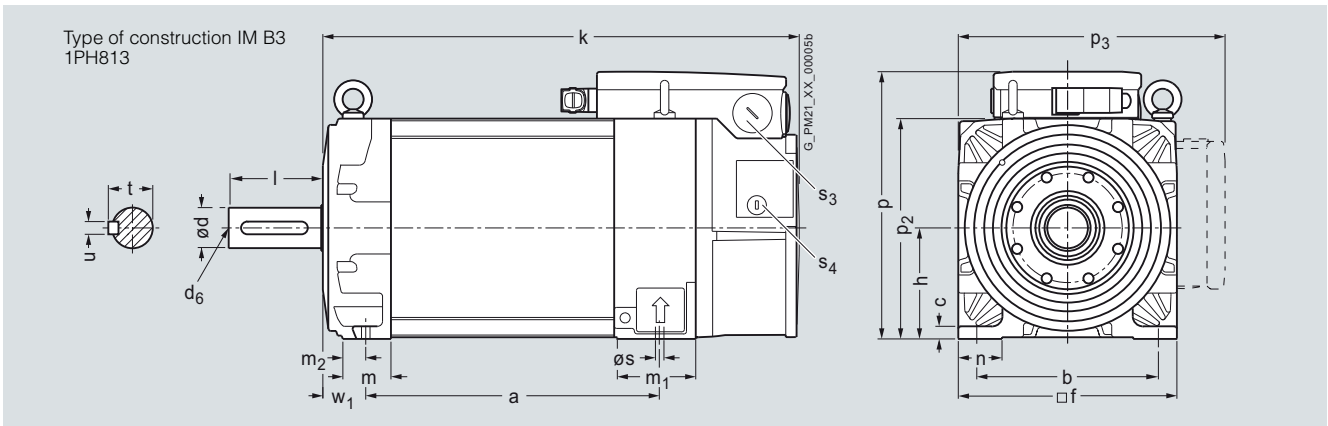
Shaft height	Type	DIN IEC	Shaft extension DE					
			d D	d <sub>6</sub> –	i <sub>2</sub> E	l E	t GA	u F
<b>1PH8 motor, types of construction IM B3/IM B5/IM B35, forced ventilation</b>								
100	1PH8101		<b>38</b> (1.50)	M12	80 (3.15)	80 (3.15)	41 (1.61)	10 (0.39)
	1PH8103							
	1PH8105							
	1PH8107							

### 1PH8 asynchronous (induction) motors Forced ventilation – Shaft height 132

#### Dimensional drawings

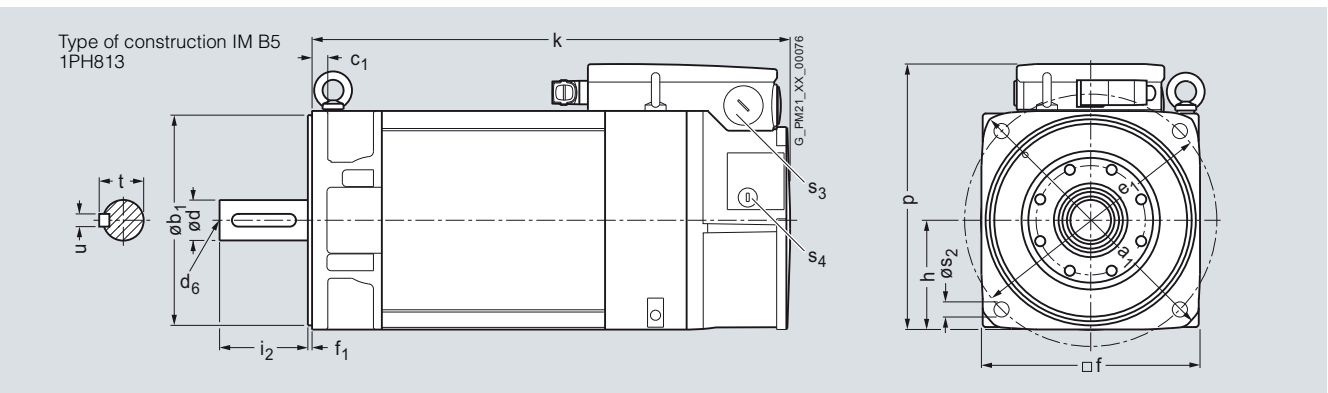
For motor Dimensions in mm (inches)

Shaft height	Type	DIN IEC B	a	b	c	f	h	k	m	m <sub>1</sub>	m <sub>2</sub>	n	p	p <sub>2</sub>	p <sub>3</sub>	s	s <sub>3</sub>	s <sub>4</sub>	w <sub>1</sub>
			AB	A	HA	AB	H	LB	BA	-	-	AA	HD	-	-	K	-	-	C
<b>1PH8 motor, type of construction IM B3, forced ventilation</b>																			
132	1PH8131		220.5 (8.68)	216 (8.50)	15 (0.59)	260 (10.24)	132 (5.20)	439 (17.28)	57 (2.24)	93 (3.66)	27 (1.06)	52 (2.05)	317.5 (12.50)	262 (10.31)	357.5 (14.07)	12 (0.47)	M40 × 1.5	M20 × 1.5	53 (2.09)
	1PH8133		265.5 (10.45)					484 (19.06)											
	1PH8135		310.5 (12.22)					529 (20.83)											
	1PH8137		350.5 (13.80)					569 (22.40)											



For motor Dimensions in mm (inches)

Shaft height	Type	DIN IEC P	a <sub>1</sub>	b <sub>1</sub>	c <sub>1</sub>	e <sub>1</sub>	f	f <sub>1</sub>	h	k	p	s <sub>2</sub>	s <sub>3</sub>	s <sub>4</sub>
			N	N	LA	M	AB	T	H	LB	HD	-	-	-
<b>1PH8 motor, type of construction IM B5, forced ventilation</b>														
132	1PH8131		340 (13.39)	250 (9.84)	18 (0.71)	300 (11.81)	260 (10.24)	5 (0.20)	130 (5.12)	439 (17.28)	315.5 (12.42)	18 (0.71)	M40 × 1.5	M20 × 1.5
	1PH8133									484 (19.06)				
	1PH8135									529 (20.83)				
	1PH8137									569 (22.40)				



# Motors

## Dimensional drawings

### 1PH8 asynchronous (induction) motors Forced ventilation – Shaft height 132

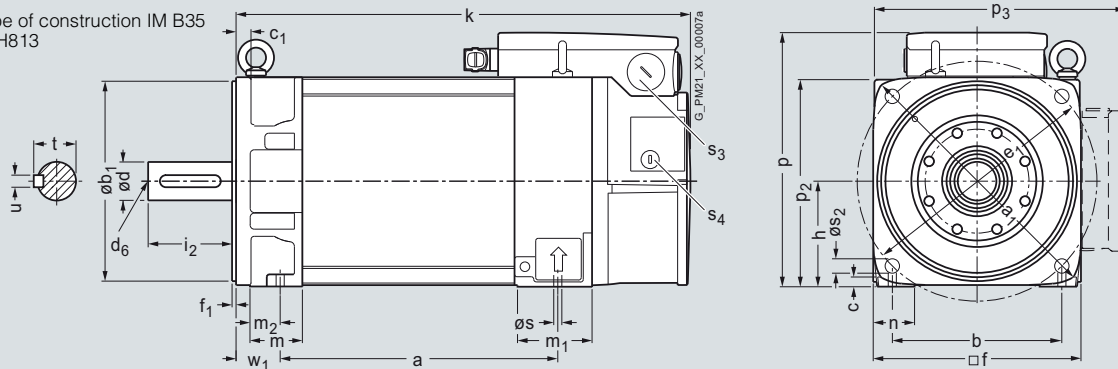
#### Dimensional drawings

For motor Dimensions in mm (inches)

Shaft height	Type	DIN IEC	a B	a <sub>1</sub> P	b A	b <sub>1</sub> N	c HA	c <sub>1</sub> LA	e <sub>1</sub> M	f AB	f <sub>1</sub> T	h H	k LB	m BA	m <sub>1</sub> –	m <sub>2</sub> –	n AA
<b>1PH8 motor, type of construction IM B35, forced ventilation</b>																	
132	1PH8131		220.5 (8.68)	340 (13.39)	216 (8.50)	250 (9.84)	15 (0.59)	18 (0.71)	300 (11.81)	260 (10.24)	5 (0.20)	132 (5.20)	439 (17.28)	65 (2.56)	93 (3.66)	35 (1.38)	52 (2.05)
	1PH8133		265.5 (10.45)										484 (19.06)				
	1PH8135		310.5 (12.22)										529 (20.83)				
	1PH8137		350.5 (13.80)										569 (22.40)				

Shaft height	Type	DIN IEC	p HD	p <sub>2</sub> –	p <sub>3</sub> –	s K	s <sub>2</sub> –	s <sub>3</sub> –	s <sub>4</sub> –	W <sub>1</sub> C
<b>1PH8 motor, type of construction IM B35, forced ventilation</b>										
132	1PH8131		317.5 (12.50)	262 (10.31)	357.5 (14.07)	12 (0.47)	18 (0.71)	M40 × 1.5	M20 × 1.5	53 (2.09)
	1PH8133									
	1PH8135									
	1PH8137									

Type of construction IM B35  
1PH813



Shaft extension DE

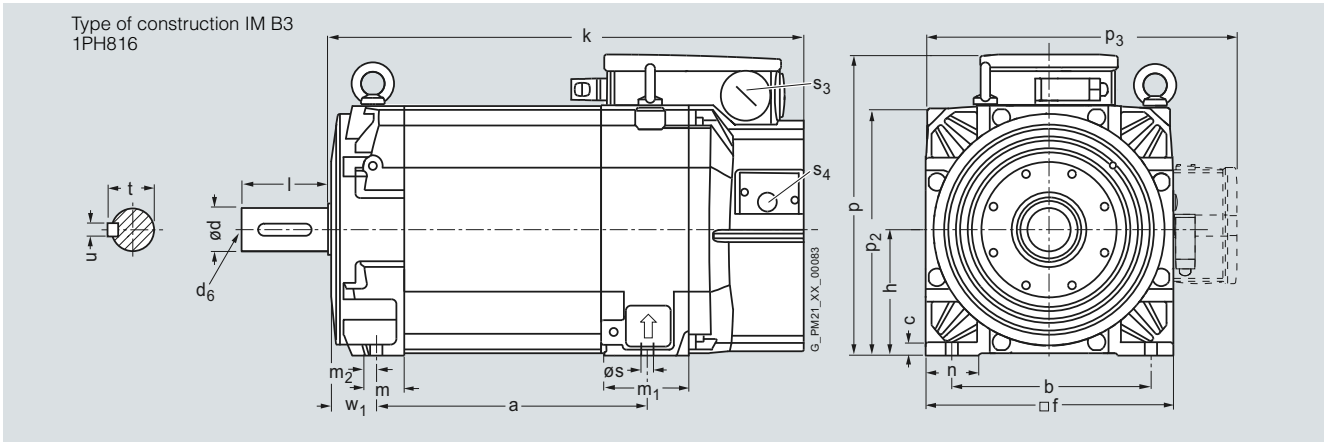
Shaft height	Type	d D	d <sub>6</sub> –	i <sub>2</sub> E	l E	t GA	u F
<b>1PH8 motor, types of construction IM B3/IM B5/IM B35, forced ventilation</b>							
132	1PH8131	<b>48</b> (1.89)	M16	110 (4.33)	110 (4.33)	51.5 (2.03)	14 (0.55)
	1PH8133						
	1PH8135						
	1PH8137						

### 1PH8 asynchronous (induction) motors Forced ventilation – Shaft height 160

#### Dimensional drawings

For motor Dimensions in mm (inches)

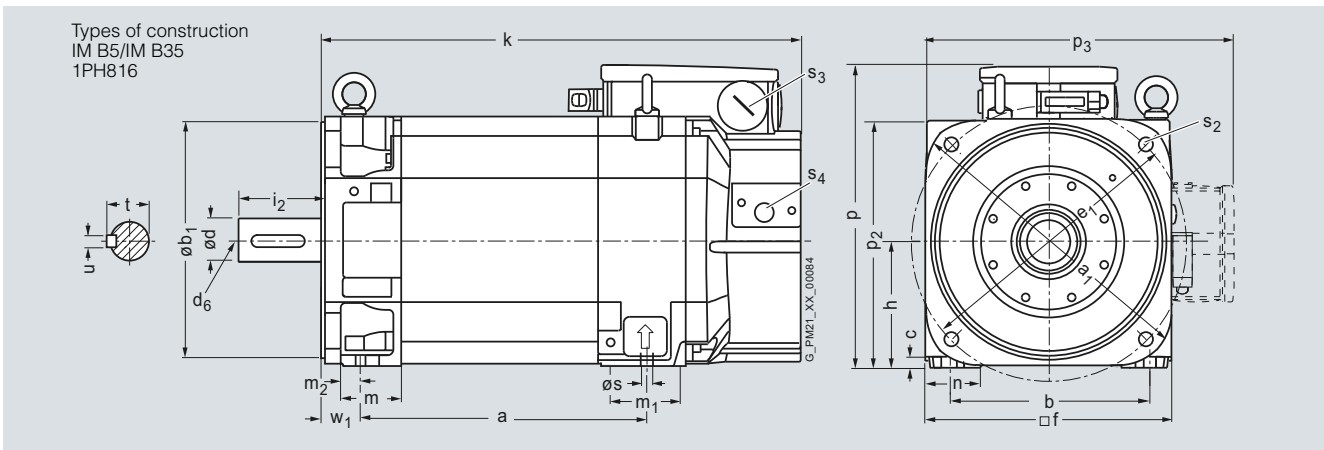
Shaft height	Type	DIN IEC	a B	b A	c HA	c <sub>1</sub> LA	f AB	h H	k LB	m BA	m <sub>1</sub> -	m <sub>2</sub> -	n AA	p HD	p <sub>2</sub> -	p <sub>3</sub> -	s K	s <sub>3</sub> -	s <sub>4</sub> -	w <sub>1</sub> C
<b>1PH8 motor, type of construction IM B3, forced ventilation</b>																				
160	1PH8163		346.5 (13.64)	254 (10.00)	17 (0.67)	23 (0.91)	314 (12.36)	160 (6.30)	610.5 (24.04)	64 (2.52)	99.5 (3.92)	28 (1.10)	70 (2.76)	382.5 (15.06)	317 (12.48)	412.5 (16.24)	14 (0.55)	M50 × 1.5	M20 × 1.5	61 (2.40)
	1PH8165		406.5 (16.00)						670.5 (26.40)											



For motor Dimensions in mm (inches)

Shaft height	Type	DIN IEC	a B	a <sub>1</sub> P	b A	b <sub>1</sub> N	c HA	e <sub>1</sub> M	f AB	f <sub>1</sub> T	h H	k LB	m BA	m <sub>1</sub> -	m <sub>2</sub> -	n AA
<b>1PH8 motor, types of construction IM B5/IM B35, forced ventilation</b>																
160	1PH8163		346.5 (13.64)	393 (15.47)	254 (10.00)	300 (11.81)	17 (0.67)	350 (13.78)	314 (12.36)	5 (0.20)	160 (6.30)	610.5 (24.04)	55 (2.17)	99.5 (3.92)	19 (0.75)	70 (2.76)
	1PH8165		406.5 (16.00)									670.5 (26.40)				

Shaft height	Type	DIN IEC	p HD	p <sub>2</sub> -	p <sub>3</sub> -	s K	s <sub>2</sub> -	s <sub>3</sub> -	s <sub>4</sub> -	w <sub>1</sub> C	Shaft extension DE					
											d D	d <sub>6</sub> -	i <sub>2</sub> E	l E	t GA	u F
<b>1PH8 motor, types of construction IM B5/IM B35, forced ventilation</b>												<b>1PH8 motor, types of constr. IM B3/IM B5/IM B35, forced ventil.</b>				
160	1PH8163		382.5 (15.06)	317 (12.48)	412.5 (16.24)	14 (0.55)	18 (0.71)	M50 × 1.5	M20 × 1.5	61 (2.40)	<b>55</b> (2.17)	M20	110 (4.33)	110 (4.33)	59 (2.32)	16 (0.63)
	1PH8165															



# Motors

## Dimensional drawings

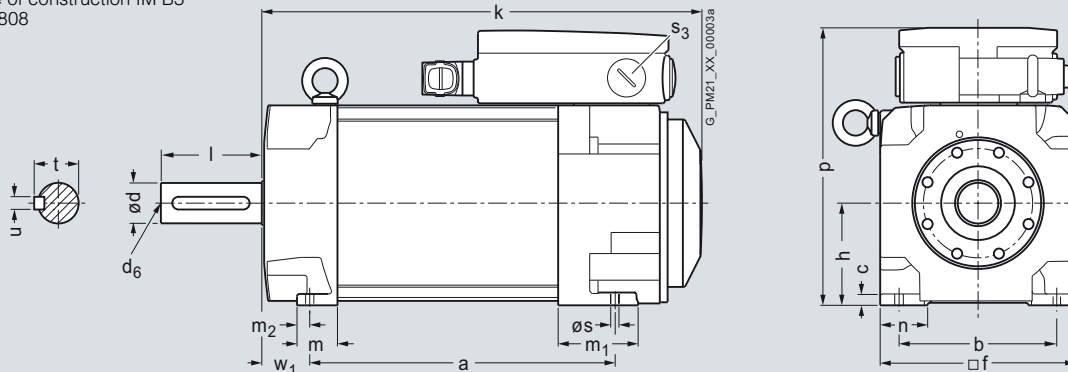
### 1PH8 asynchronous (induction) motors Water cooling – Shaft height 80

#### Dimensional drawings

For motor Dimensions in mm (inches)

Shaft height	Type	DIN IEC B	a	b	c	f	h	k	m	m <sub>1</sub>	m <sub>2</sub>	n	p	s	s <sub>3</sub>	w <sub>1</sub>
			IEC B	A	HA	AB	H	LB	BA	-	-	AA	HD	K	-	C
<b>1PH8 motor, type of construction IM B3, water cooling</b>																
80	1PH8083		194 (7.64)	125 (4.92)	8 (0.31)	155 (6.10)	80 (3.15)	301.5 (11.87)	37 (1.46)	63.5 (2.50)	15 (0.59)	35 (1.38)	216 (8.50)	10 (0.39)	M25 × 1.5	38 (1.50)
	1PH8087		244 (9.61)					351.5 (13.84)								

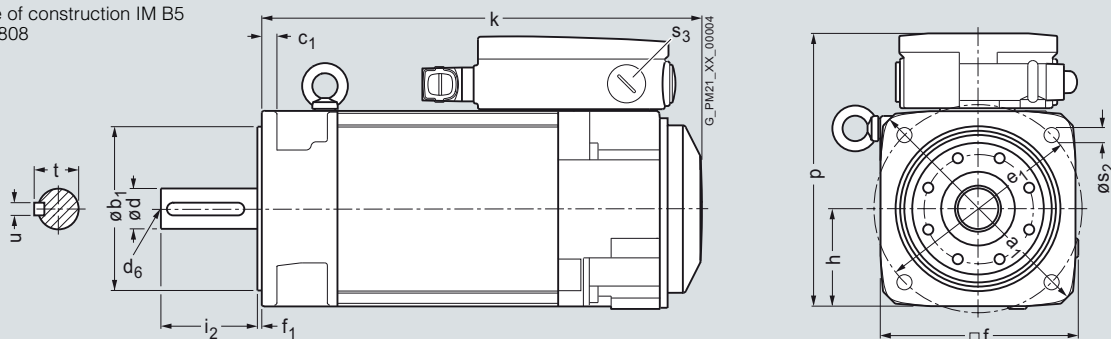
Type of construction IM B3  
1PH808



For motor Dimensions in mm (inches)

Shaft height	Type	DIN IEC P	a <sub>1</sub>	b <sub>1</sub>	c <sub>1</sub>	e <sub>1</sub>	f	f <sub>1</sub>	h	k	p	s <sub>2</sub>	s <sub>3</sub>
			IEC P	N	LA	M	AB	T	H	LB	HD	-	-
<b>1PH8 motor, type of construction IM B5, water cooling</b>													
80	1PH8083		200 (7.87)	130 (5.12)	12 (0.47)	165 (6.50)	155 (6.10)	3.5 (0.14)	77.5 (3.05)	301.5 (11.87)	213.5 (8.41)	12 (0.47)	M25 × 1.5
	1PH8087									351.5 (13.84)			

Type of construction IM B5  
1PH808



Shaft extension DE

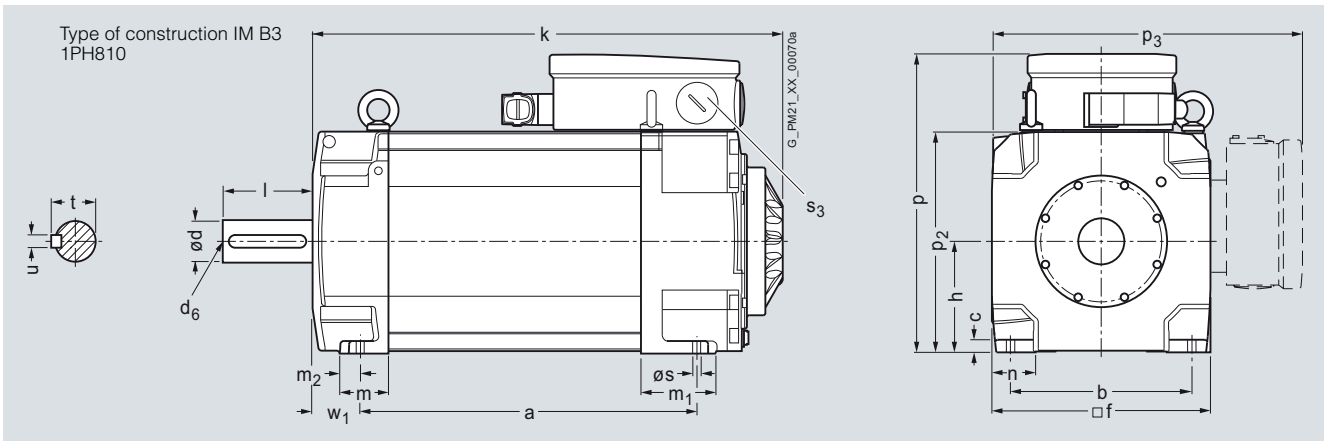
Shaft height	Type	DIN IEC	d	d <sub>6</sub>	i <sub>2</sub>	l	t	u
			D	-	E	E	GA	F
<b>1PH8 motor, types of construction IM B3/IM B5, water cooling</b>								
80	1PH8083		32 (1.26)	M12	80 (3.15)	80 (3.15)	35 (1.38)	10 (0.39)
	1PH8087							

### 1PH8 asynchronous (induction) motors Water cooling – Shaft height 100

#### Dimensional drawings

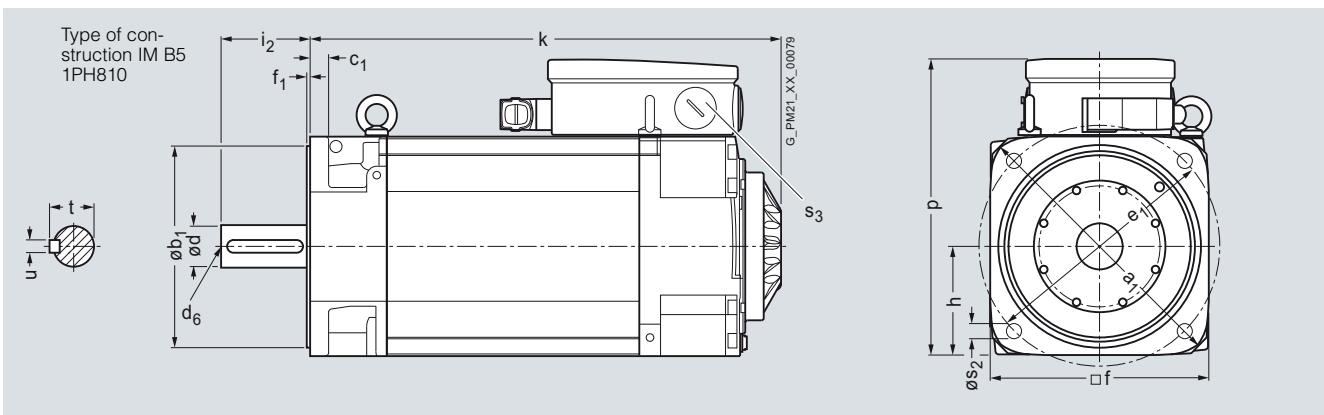
For motor Dimensions in mm (inches)

Shaft height	Type	DIN IEC B	a	b	c	f	h	k	m	m <sub>1</sub>	m <sub>2</sub>	n	p	p <sub>2</sub>	p <sub>3</sub>	s	s <sub>3</sub>	W <sub>1</sub>
			A	HA	AB	H	LB	BA	-	-	AA	HD	-	-	K	-	C	
<b>1PH8 motor, type of construction IM B3, water cooling</b>																		
100	1PH8101		167 (6.57)	160 (6.30)	11 (0.43)	196 (7.72)	100 (3.94)	289.5 (11.40)	44 (1.73)	68 (2.68)	19 (0.75)	43 (1.69)	266.5 (10.49)	198 (7.80)	276.5 (10.89)	12 (0.47)	M32 × 1.5	43 (1.69)
	1PH8103							325 (12.80)										
	1PH8105							384.5 (15.14)										
	1PH8107							420 (16.54)										



For motor Dimensions in mm (inches)

Shaft height	Type	DIN IEC P	a <sub>1</sub>	b <sub>1</sub>	c <sub>1</sub>	e <sub>1</sub>	f	f <sub>1</sub>	h	k	p	s <sub>2</sub>	s <sub>3</sub>
			LA	N	LA	M	AB	T	H	LB	HD	-	-
<b>1PH8 motor, type of construction IM B5, water cooling</b>													
100	1PH8101		250 (9.84)	180 (7.09)	16 (0.63)	215 (8.46)	196 (7.72)	4 (0.16)	98 (3.86)	289.5 (11.40)	264.5 (10.41)	14 (0.55)	M32 × 1.5
	1PH8103									325 (12.80)			
	1PH8105									384.5 (15.14)			
	1PH8107									420 (16.54)			





# Motors

## Dimensional drawings

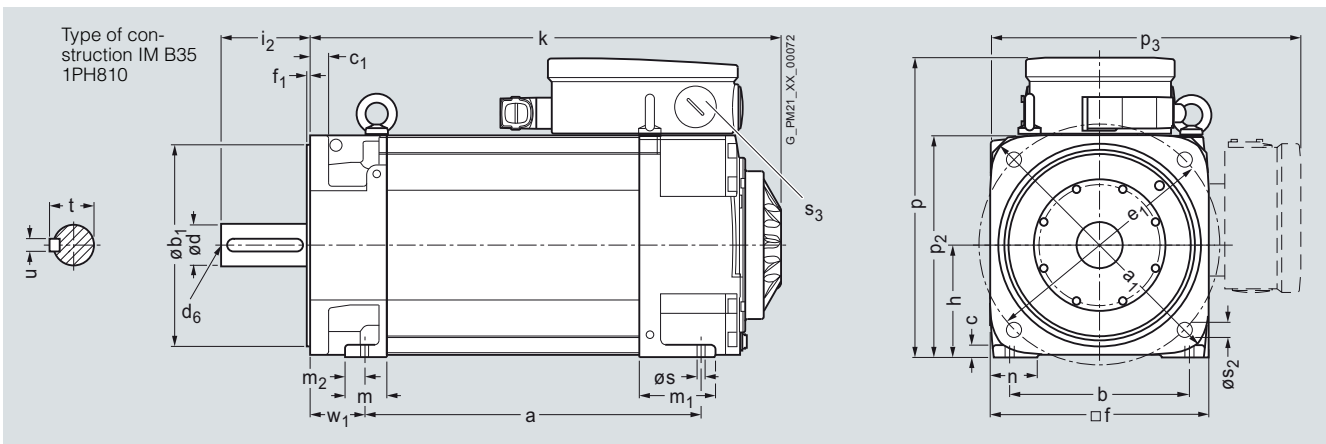
### 1PH8 asynchronous (induction) motors Water cooling – Shaft height 100

#### Dimensional drawings

For motor Dimensions in mm (inches)

Shaft height	Type	DIN IEC	a B	a <sub>1</sub> P	b A	b <sub>1</sub> N	c HA	c <sub>1</sub> LA	e <sub>1</sub> M	f AB	f <sub>1</sub> T	h H	k LB	m BA	m <sub>1</sub> –	m <sub>2</sub> –	n AA	
<b>1PH8 motor, type of construction IM B35, water cooling</b>																		
100	1PH8101		167 (6.57)	250 (9.84)	160 (6.30)	180 (7.09)	11 (0.43)	16 (0.63)	215 (8.46)	196 (7.72)	4 (0.16)	100 (3.94)	289.5 (11.40)	37 (1.46)	68 (2.68)	12 (0.47)	43 (1.69)	
	1PH8103		202.5 (7.97)										325 (12.80)					
	1PH8105		262 (10.31)										384.5 (15.14)					
	1PH8107		297.5 (11.71)										420 (16.54)					

Shaft height	Type	DIN IEC	p HD	p <sub>2</sub> –	p <sub>3</sub> –	s K	s <sub>2</sub> –	s <sub>3</sub> –	w <sub>1</sub> C
<b>1PH8 motor, type of construction IM B35, water cooling</b>									
100	1PH8101		266.5 (10.49)	198 (7.80)	276.5 (10.89)	12 (0.47)	14 (0.55)	M32 × 1.5	43 (1.69)
	1PH8103								
	1PH8105								
	1PH8107								



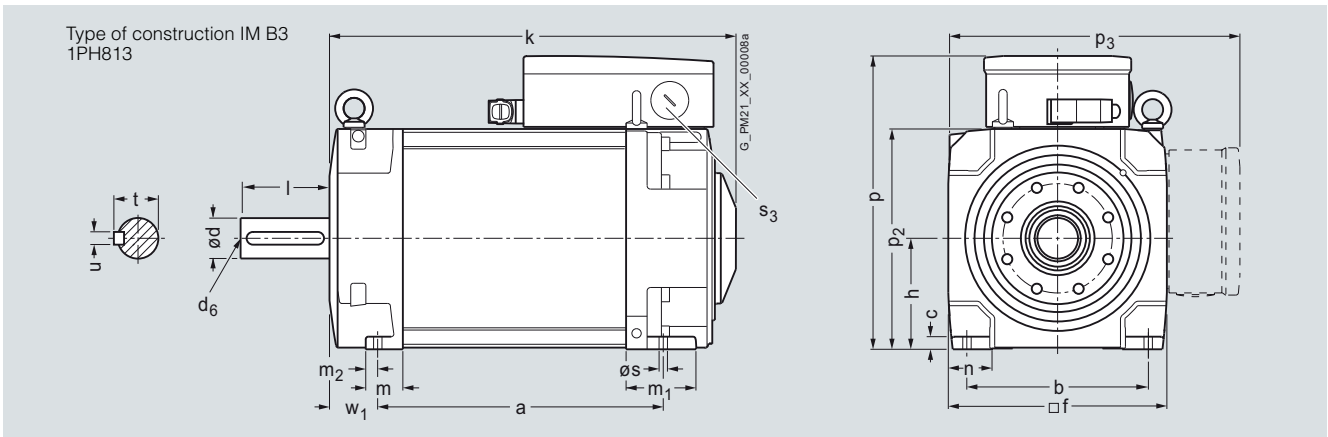
Shaft extension DE								
Shaft height	Type	DIN IEC	d D	d <sub>6</sub> –	i <sub>2</sub> E	l E	t GA	u F
<b>1PH8 motor, types of construction IM B3/IM B5/IM B35, water cooling</b>								
100	1PH8101		<b>38</b> (1.50)	M12	80 (3.15)	80 (3.15)	41 (1.61)	10 (0.39)
	1PH8103							
	1PH8105							
	1PH8107							

### 1PH8 asynchronous (induction) motors Water cooling – Shaft height 132

#### Dimensional drawings

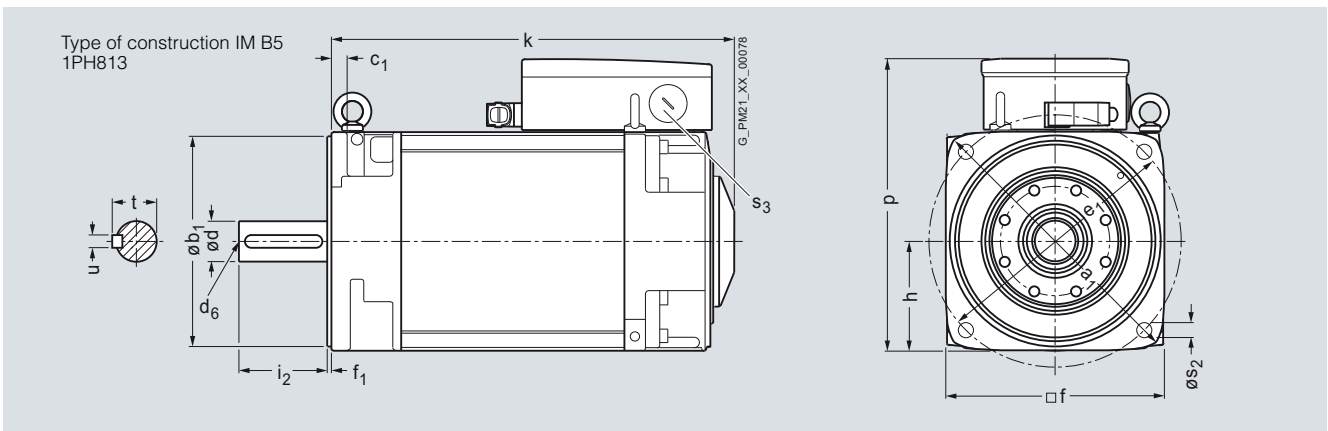
For motor Dimensions in mm (inches)

Shaft height	Type	DIN IEC B	a	b	c	f	h	k	m	m <sub>1</sub>	m <sub>2</sub>	n	p	p <sub>2</sub>	p <sub>3</sub>	s	s <sub>3</sub>	W <sub>1</sub> C	
<b>1PH8 motor, type of construction IM B3, water cooling</b>																			
132	1PH8131		220.5 (8.68)	216 (8.50)	15 (0.59)	260 (10.24)	132 (5.20)	347.5 (13.68)	42 (1.65)	81 (3.19)	12 (0.47)	43 (1.69)	347.5 (13.68)	262 (10.31)	357.5 (14.07)	12 (0.47)	M50 × 1.5	53 (2.09)	
	1PH8133		265.5 (10.45)					392.5 (15.45)											
	1PH8135		310.5 (12.22)					437.5 (17.22)											
	1PH8137		350.5 (13.80)					477.5 (18.80)											



For motor Dimensions in mm (inches)

Shaft height	Type	DIN IEC P	a <sub>1</sub>	b <sub>1</sub>	c <sub>1</sub>	e <sub>1</sub>	f	f <sub>1</sub>	h	k	p	s <sub>2</sub>	s <sub>3</sub>
<b>1PH8 motor, type of construction IM B5, water cooling</b>													
132	1PH8131		340 (13.39)	250 (9.84)	18 (0.71)	300 (11.81)	260 (10.24)	5 (0.20)	132 (5.20)	347.5 (13.68)	345.5 (13.60)	18 (0.71)	M50 × 1.5
	1PH8133									392.5 (15.45)			
	1PH8135									437.5 (17.22)			
	1PH8137									477.5 (18.80)			



# Motors

## Dimensional drawings

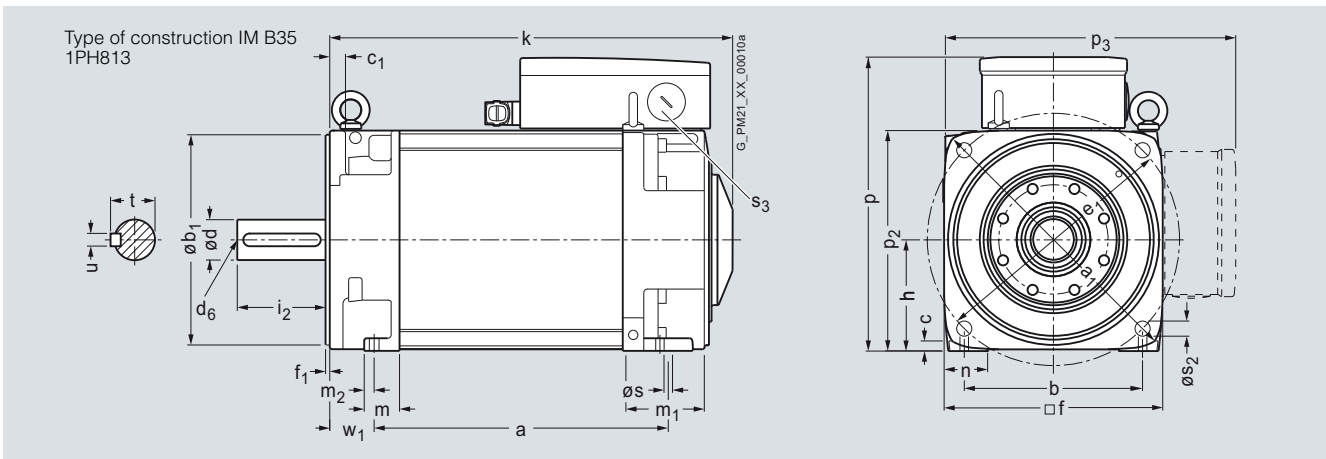
### 1PH8 asynchronous (induction) motors Water cooling – Shaft height 132

#### Dimensional drawings

For motor Dimensions in mm (inches)

Shaft height	Type	DIN IEC B	a	a <sub>1</sub> P	b A	b <sub>1</sub> N	c HA	c <sub>1</sub> LA	e <sub>1</sub> M	f AB	f <sub>1</sub> T	h H	k LB	m BA	m <sub>1</sub> –	m <sub>2</sub> –	n AA	
<b>1PH8 motor, type of construction IM B35, water cooling</b>																		
132	1PH8131	220.5 (8.68)	340 (13.39)	216 (8.50)	250 (9.84)	15 (0.59)	18 (0.71)	300 (11.81)	260 (10.24)	5 (0.20)	132 (5.20)	347.5 (13.68)	42 (1.65)	81 (3.19)	12 (0.47)	43 (1.69)		
	1PH8133	265.5 (10.45)										392.5 (15.45)						
	1PH8135	310.5 (12.22)										437.5 (17.22)						
	1PH8137	350.5 (13.80)										477.5 (18.80)						

Shaft height	Type	DIN IEC HD	p	p <sub>2</sub> –	p <sub>3</sub> –	s K	s <sub>2</sub> –	s <sub>3</sub> –	w <sub>1</sub> C
<b>1PH8 motor, type of construction IM B35, water cooling</b>									
132	1PH8131	347.5 (13.68)	262 (10.31)	357.5 (14.07)	12 (0.47)	18 (0.71)		M50 × 1.5 (2.09)	53
	1PH8133								
	1PH8135								
	1PH8137								



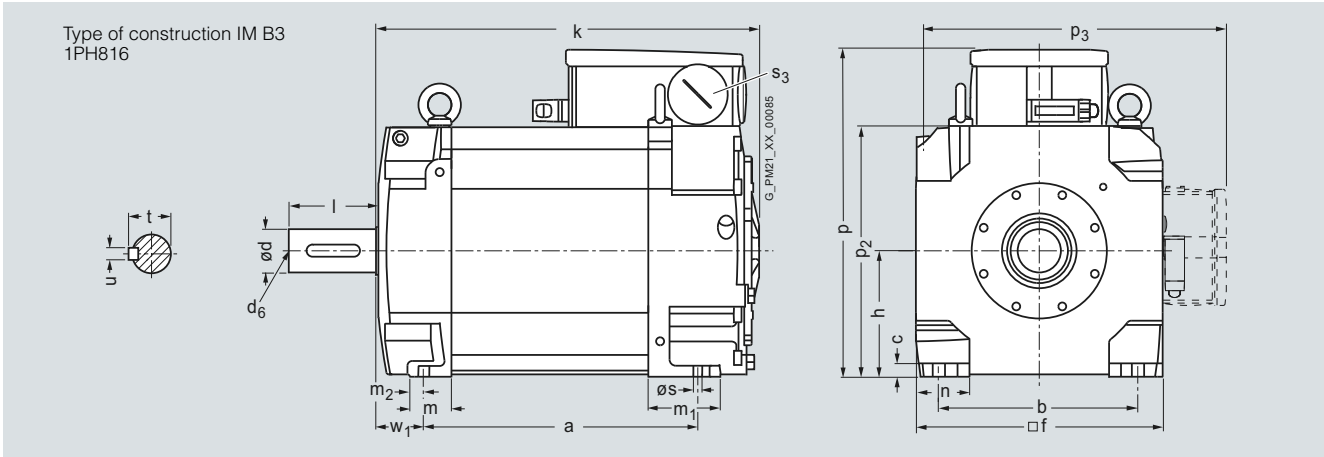
#### Shaft extension DE

Shaft height	Type	d D	d <sub>6</sub> –	i <sub>2</sub> E	l E	t GA	u F
<b>1PH8 motor, types of construction IM B3/IM B5/IM B35, water cooling</b>							
132	1PH8131	<b>48</b> (1.89)	M16	110 (4.33)	110 (4.33)	51.5 (2.03)	14 (0.55)
	1PH8133						
	1PH8135						
	1PH8137						

### 1PH8 asynchronous motors Water cooling – Shaft height 160

#### Dimensional drawings

For motor		Dimensions in mm (inches)																		
Shaft height	Type	DIN IEC	a B	b A	c HA	c <sub>1</sub> LA	f AB	h H	k LB	m BA	m <sub>1</sub> -	m <sub>2</sub> -	n AA	p HD	p <sub>2</sub> -	p <sub>3</sub> -	s K	s <sub>3</sub> -	w <sub>1</sub> C	
<b>1PH8 motor, type of construction IM B3, water cooling</b>																				
160	1PH8163		346.5 (13.64)	254 (10.00)	17 (0.67)	23 (0.91)	314 (12.36)	160 (6.30)	488.5 (19.23)	53 (2.09)	91 (3.58)	17 (0.67)	70 (2.76)	415.5 (16.36)	317 (12.48)	412.5 (16.24)	14 (0.55)	M63 × 1.5	61 (2.40)	
	1PH8165		406.5 (16.00)						548.5 (21.59)											
	1PH8166																			



For motor		Dimensions in mm (inches)														
Shaft height	Type	DIN IEC	a B	a <sub>1</sub> P	b A	b <sub>1</sub> N	c HA	e <sub>1</sub> M	f AB	f <sub>1</sub> T	h H	k LB	m BA	m <sub>1</sub> -	m <sub>2</sub> -	n AA
<b>1PH8, types of construction IM B5/IM B35, water cooling</b>																
160	1PH8163		346.5 (13.64)	393 (15.47)	254 (10.00)	300 (11.81)	17 (0.67)	350 (13.78)	314 (12.36)	5 (0.20)	160 (6.30)	488.5 (19.23)	53 (2.09)	91 (3.58)	17 (0.67)	70 (2.76)
	1PH8165		406.5 (16.00)									548.5 (21.59)				
	1PH8166															

Shaft height	Type	DIN IEC	p HD	p <sub>2</sub> -	p <sub>3</sub> -	s K	s <sub>2</sub> -	s <sub>3</sub> -	w <sub>1</sub> C	Shaft extension DE					
										d D	d <sub>6</sub> -	i <sub>2</sub> E	l E	t GA	u F
<b>1PH8, types of construction IM B5/IM B35, water cooling</b>										<b>1PH8, types of construction IM B3/IM B5/IM B35, water cooling</b>					
	1PH8163		415.5 (16.36)	317 (12.48)	412.5 (16.24)	14 (0.55)	18 (0.71)	M63 × 1.5	61 (2.40)	55 (2.17)	M20	110 (4.33)	110 (4.33)	59 (2.32)	16 (0.63)
	1PH8165														
	1PH8166														

