

Synchronous motors

Dimension drawings

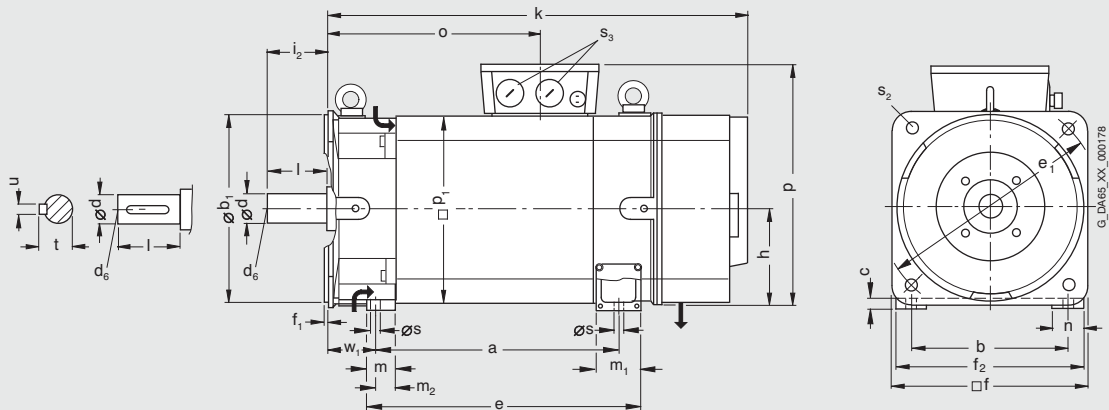
1FT6 Big Servo motors with/without DRIVE-CLiQ Forced ventilation

For motor Dimensions in mm (in)

Shaft height	Type	DIN IEC	a B	b A	b ₁ N	c LA	e BB	e ₁ M	f AB	f ₁ T	f ₂ AB	h H	i ₂ -	k LB	m BA	m ₁ -	m ₂ S
160	1FT6163		444 (17.48)	254 (10)	300 (11.81)	17 (0.67)	493 (19.41)	350 (13.78)	314 (12.36)	5 (0.2)	286 (11.26)	160 (6.3)	110 (4.33)	707 (27.83)	31 (1.22)	65 (2.56)	16 (0.63)
	1FT6168		544 (21.42)				593 (23.35)							807 (31.77)			

1FT6 Big Servo, type IM B35, forced ventilation, with terminal box

Shaft height	Type	DIN IEC												DE shaft extension				
			n AA	o -	p HD	p ₁ AC	s K	s ₂ S	s ₃ -	w ₁ C	d D	d ₆ -	l E	t GA	u F			
160	1FT6163		52 (2.05)	391.5 (15.41)	403.5 (15.89)	294 (11.57)	14 (0.55)	18 (0.71)	M50 x 1.5	70 (2.76)	55 (2.17)	M20	110 (4.33)	59 (2.32)	16 (0.63)			
	1FT6168			491.5 (19.35)														

1FT616

Synchronous motors

Dimension drawings

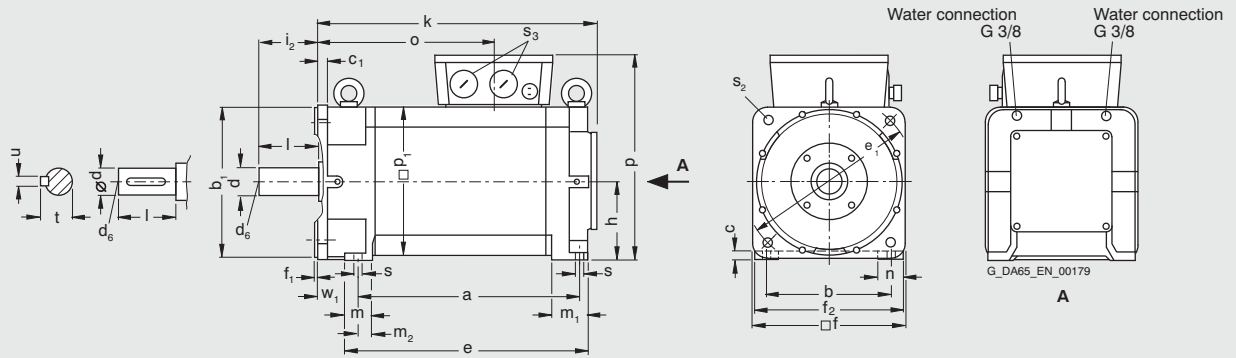
1FT6 Big Servo motors with/without DRIVE-CLiQ Water cooling

4

For motor		Dimensions in mm (in)																	
Shaft height	Type	DIN IEC	a B	b A	b ₁ N	c LA	c ₁ -	e BB	e ₁ M	f AB	f ₁ T	f ₂ -	h H	i ₂ -	k LB	m BA	m ₁ -	m ₂ -	
1FT6 Big Servo, type IM B35, water cooling, with terminal box																			
132	1FT6132		342 (13.46)	216 (8.5)	250 (9.84)	14 (0.55)	16 (0.63)	366 (14.41)	300 (11.81)	260 (10.24)	5 (0.2)	245 (9.65)	132 (5.2)	82 (3.23)	423 (16.65)	36 (1.42)	53 (2.09)	23 (0.91)	
	1FT6134							416 (16.38)							473 (18.62)				
	1FT6136							466 (18.35)							523 (20.59)				
	1FT6138							541 (21.3)							598 (23.54)				
160	1FT6163		507 (19.96)	254 (10)	300 (11.81)	17 (0.67)	17.5 (0.69)	532 (20.94)	350 (13.78)	314 (12.36)	5 (0.2)	294 (11.57)	160 (6.3)	110 (4.33)	590 (23.23)	44 (1.73)	77 (3.03)	30.5 (1.2)	
	1FT6168		607 (23.9)					632 (24.88)							690 (27.17)				

Shaft height	Type	DIN IEC	n _{rated} =1500 rpm		n _{rated} =2500 rpm		DE shaft extension											
			n AA	o -	p HD	p ₁ AC	s K	s ₂ K	s ₃ -	s ₃ -	w ₁ C	d D	d ₆ -	l E	t GA	u F		
132	1FT6132		14 (0.55)	255.5 (10.06)	350.5 (13.8)	245 (9.65)	12 (0.47)	18 (0.71)	M32 x 1.5		M40 x 1.5		53 (2.09)	48 (1.89)	M16	82 (3.23)	51.5 (2.03)	14 (0.55)
	1FT6134			305.5 (12.03)					M40 x 1.5		M50 x 1.5							
	1FT6136			355.5 (14)					M50 x 1.5		M50 x 1.5							
	1FT6138			430.5 (16.95)					M50 x 1.5		M50 x 1.5							
160	1FT6163		17 (0.67)	391.5 (15.41)	403.5 (15.89)	294 (11.57)	14 (0.55)	18 (0.71)	M50 x 1.5		M50 x 1.5		56 (2.2)	55 (2.17)	M20	110 (4.33)	59 (2.32)	16 (0.63)
	1FT6168			491.5 (19.35)														

1FT613



1FT616

