

Motors

Dimensional drawings

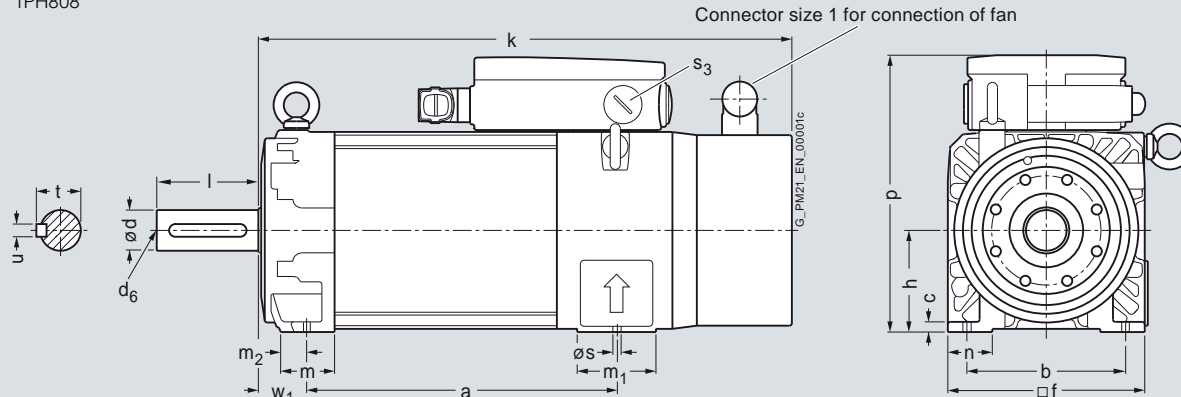
1PH8 asynchronous motors Shaft height 80 – Forced ventilation

Dimensional drawings

For motor Dimensions in mm (inches)

Shaft height	Type	DIN IEC B	a B	b A	c HA	f AB	h H	k LB	m BA	m ₁ -	m ₂ -	n AA	p HD	s K	s ₃ -	w ₁ C
1PH8, type of construction IM B3, forced ventilation																
80	1PH8083	194 (7.64)	125 (4.92)	8 (0.31)	155 (6.10)	80 (3.15)	375 (14.76)	42 (1.65)	62 (2.44)	20 (0.79)	35 (1.38)	216 (8.50)	10 (0.39)	M25 × 1.5	38 (1.50)	
	1PH8087	244 (9.61)					425 (16.73)									

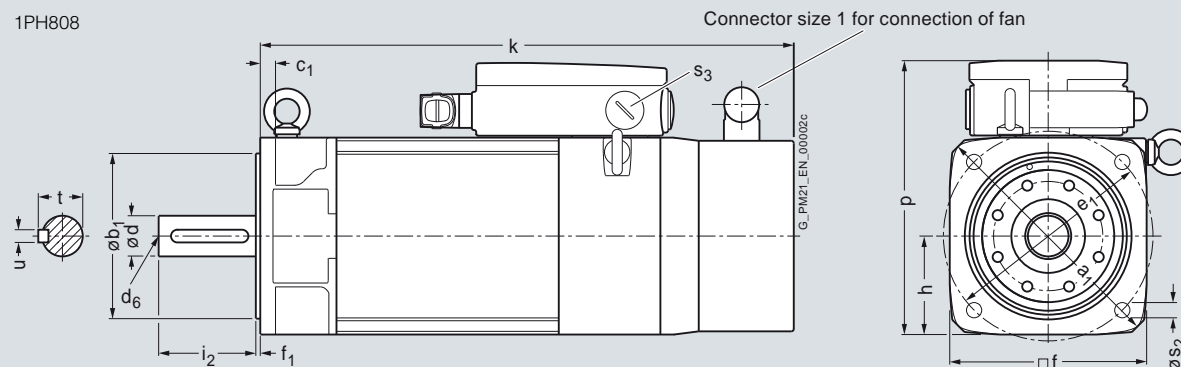
1PH808



For motor Dimensions in mm (inches)

Shaft height	Type	DIN IEC P	a ₁ N	b ₁ N	c ₁ LA	e ₁ M	f AB	f ₁ T	h H	k LB	p HD	s ₂ -	s ₃ -
1PH8, type of construction IM B5, forced ventilation													
80	1PH8083	200 (7.87)	130 (5.12)	12 (0.47)	165 (6.50)	155 (6.10)	3.5 (0.14)	77.5 (3.05)	375 (14.76)	213.5 (8.41)	12 (0.47)	M25 × 1.5	
	1PH8087							425 (16.73)					

1PH808



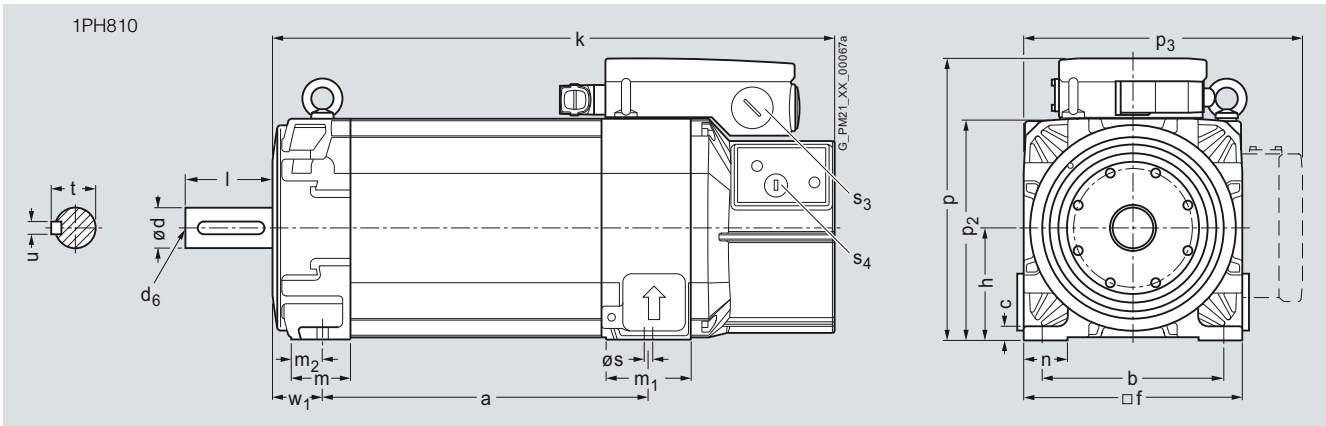
Shaft extension DE

Shaft height	Type	DIN IEC	d D	d ₆ -	i ₂ E	l E	t GA	u F
80	1PH8083		32 (1.26)	M12	80 (3.15)	80 (3.15)	35 (1.38)	10 (0.39)
	1PH8087							

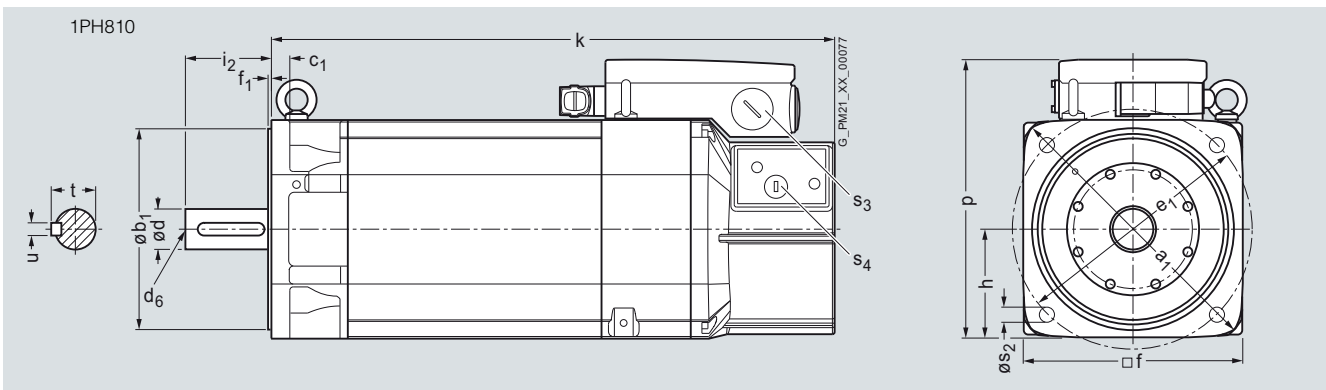
1PH8 asynchronous motors Shaft height 100 – Forced ventilation

Dimensional drawings

For motor		Dimensions in mm (inches)																		
Shaft height	Type	DIN IEC B	a	b	c	f	h	k	m	m ₁	m ₂	n	p	p ₂	p ₃	s	s ₃	s ₄	w ₁	
			A	A	HA	AB	H	LB	BA	-	-	AA	HD	-	-	K	-	-	C	
1PH8, type of construction IM B3, forced ventilation																				
100	1PH8101		167 (6.57)	160 (6.30)	11 (0.43)	196 (7.72)	100 (3.94)	369.5 (14.55)	49 (1.93)	74 (2.91)	24 (0.94)	40 (1.57)	252 (9.92)	198 (7.80)	276.5 (10.89)	12 (0.47)	M32 × 1.5	M20 × 1.5	43 (1.69)	
	1PH8103																		405 (15.94)	
	1PH8105																		464.5 (18.29)	
	1PH8107																		500 (19.69)	



For motor		Dimensions in mm (inches)														
Shaft height	Type	DIN IEC P	a ₁	b ₁	c ₁	e ₁	f	f ₁	h	k	p	s ₂	s ₃	s ₄		
			N	N	LA	M	AB	T	H	LB	HD	-	-	-		
1PH8, type of construction IM B5, forced ventilation																
100	1PH8101		250 (9.84)	180 (7.09)	16 (0.63)	215 (8.46)	196 (7.72)	4 (0.16)	98 (3.86)	369.5 (14.55)	250 (9.84)	14 (0.55)	M32 × 1.5 M20 × 1.5			
	1PH8103														405 (15.94)	
	1PH8105														464.5 (18.29)	
	1PH8107														500 (19.69)	



		Shaft extension DE							
Shaft height	Type	DIN IEC	d	d ₆	i ₂	l	t	u	
			D	-	E ₂	E	GA	F	
100	1PH8101		38 (1.50)	M12	80 (3.15)	80 (3.15)	41 (1.61)	10 (0.39)	
	1PH8103								
	1PH8105								
	1PH8107								

Motors

Dimensional drawings

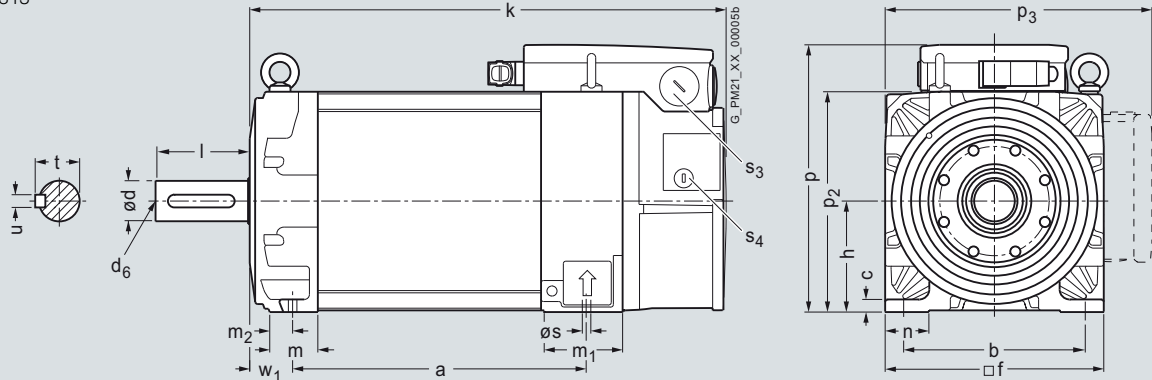
1PH8 asynchronous motors Shaft height 132 – Forced ventilation

Dimensional drawings

For motor Dimensions in mm (inches)

Shaft height	Type	DIN IEC	a B	b A	c HA	f AB	h H	k LB	m BA	m ₁	m ₂	n AA	p HD	p ₂	p ₃	s K	s ₃	s ₄	w ₁ C
1PH8, type of construction IM B3, forced ventilation																			
132	1PH8131		220.5 (8.68)	216 (8.50)	15 (0.59)	260 (10.24)	132 (5.20)	439 (17.28)	57 (2.24)	93 (3.66)	27 (1.06)	52 (2.05)	317.5 (12.50)	262 (10.31)	357.5 (14.07)	12 (0.47)	M40 × 1.5	M20 × 1.5	53 (2.09)
	1PH8133		265.5 (10.45)				484 (19.06)												

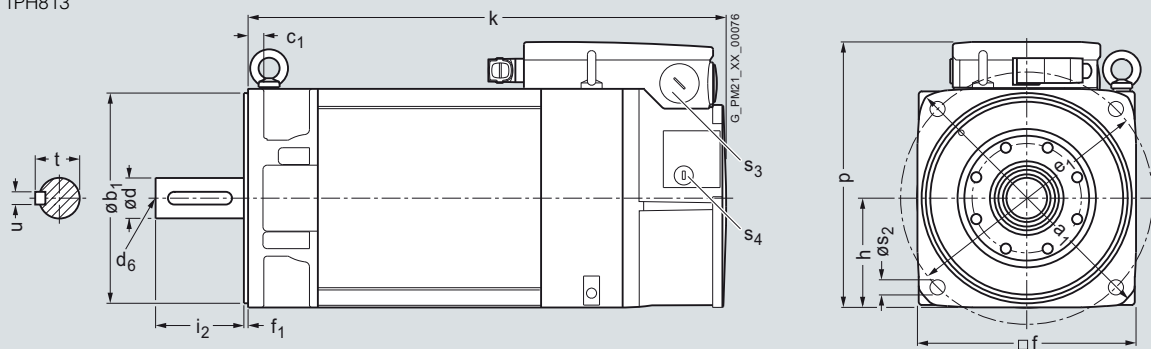
1PH813



For motor Dimensions in mm (inches)

Shaft height	Type	DIN IEC	a ₁ P	b ₁ N	c ₁ LA	e ₁ M	f AB	f ₁ T	h H	k LB	p HD	s ₂	s ₃	s ₄
1PH8, type of construction IM B5, forced ventilation														
132	1PH8131		340 (13.39)	250 (9.84)	18 (0.71)	300 (11.81)	260 (10.24)	5 (0.20)	130 (5.12)	439 (17.28)	315.5 (12.42)	18 (0.71)	M40 × 1.5	M20 × 1.5
	1PH8133								484 (19.06)					

1PH813



Shaft extension DE

Shaft height	Type	DIN IEC	d D	d ₆	i ₂ E	l E	t GA	u F	
132	1PH8131		48 (1.89)	M16	110 (4.33)	110 (4.33)	51.5 (2.03)	14 (0.55)	
	1PH8133								