

Synchronous motors

Dimensional drawings

1PH8 motors SH 132 – Forced ventilation

Dimensional drawings

For motor Dimensions in mm (inches)

Shaft height	Type	DIN IEC	a B	b A	c HA	c ₁ LA	f AB	h H	k LB	m BA	m ₁ -	m ₂ -	n AA
--------------	------	---------	-----	-----	------	-------------------	------	-----	------	------	------------------	------------------	------

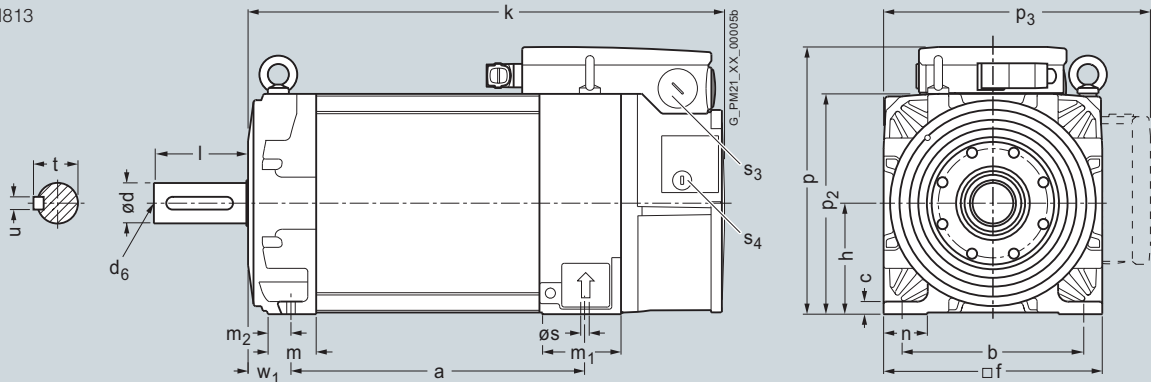
1PH8, type of construction IM B3, forced ventilation													
132	1PH8131	220.5 (8.68)	216 (8.50)	15 (0.59)	18 (0.71)	260 (10.24)	132 (5.20)	439 (17.28)	57 (2.24)	93 (3.66)	27 (1.06)	52 (2.05)	
	1PH8133	265.5 (10.45)						484 (19.06)					
	1PH8135	310.5 (12.22)						529 (20.83)					
	1PH8137	350.5 (13.80)						569 (22.40)					

DE shaft extension

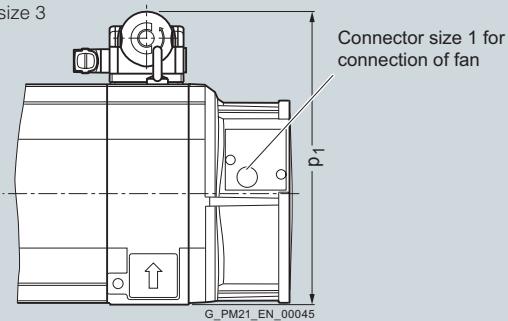
Shaft height	Type	DIN IEC	p HD	p ₁ -	p ₂ -	p ₃ -	s K	s ₃ -	s ₄ -	w ₁ C	d D	d ₆ -	l L	t GA	u F
--------------	------	---------	------	------------------	------------------	------------------	-----	------------------	------------------	------------------	-----	------------------	-----	------	-----

132	1PH8131	317.5 (12.50)	347 (13.66)	262 (10.31)	357.5 (14.07)	12 (0.47)	M40 × 1.5	M20 × 1.5	53 (2.09)	48 (1.89)	M16	110 (4.33)	51.5 (2.03)	14 (0.55)
	1PH8133													
	1PH8135													
	1PH8137													

1PH813



Version with power connector size 3



Dimensional drawings

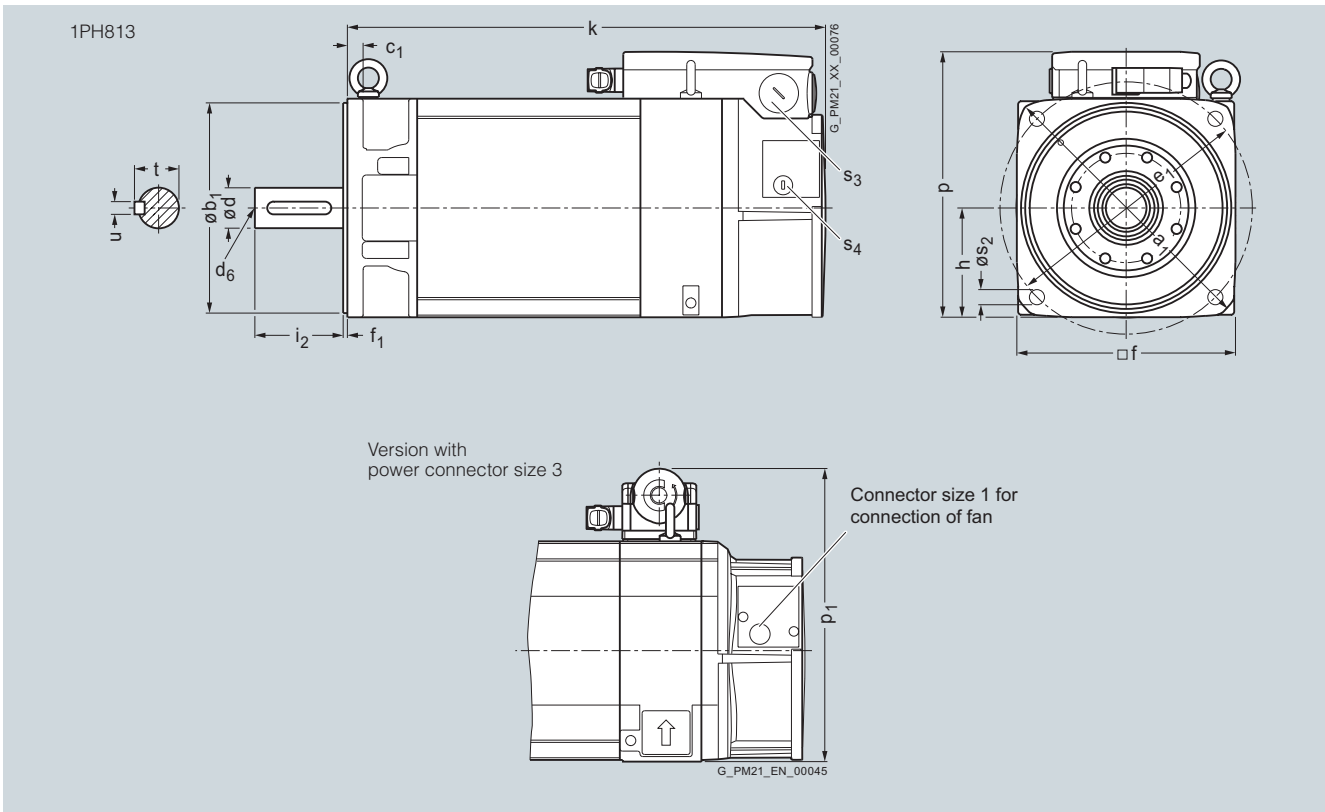
For motor Dimensions in mm (inches)

Shaft height	Type	DIN IEC	a ₁ P	b ₁ N	c ₁ LA	e ₁ M	f AB	f ₁ T	h H	k LB
--------------	------	---------	------------------	------------------	-------------------	------------------	------	------------------	-----	------

1PH8, type of construction IM B5, forced ventilation										
132	1PH8131		340 (13.39)	250 (9.84)	18 (0.71)	300 (11.81)	260 (10.24)	5 (0.20)	130 (5.12)	439 (17.28)
	1PH8133									484 (19.06)
	1PH8135									529 (20.83)
	1PH8137									569 (22.40)

Shaft height Type DIN IEC ρ HD p₁ s₂ s₃ s₄ DE shaft extension d D d₆ i₂ E t GA u F

132	1PH8131		315.5 (12.42)	345 (13.58)	18 (0.71)	M40 × 1.5	M20 × 1.5	48 (1.89)	M16	110 (4.33)	51.5 (2.03)	14 (0.55)
	1PH8133											
	1PH8135											
	1PH8137											



Synchronous motors

Dimensional drawings

1PH8 motors SH 132 – Forced ventilation

Dimensional drawings

For motor Dimensions in mm (inches)

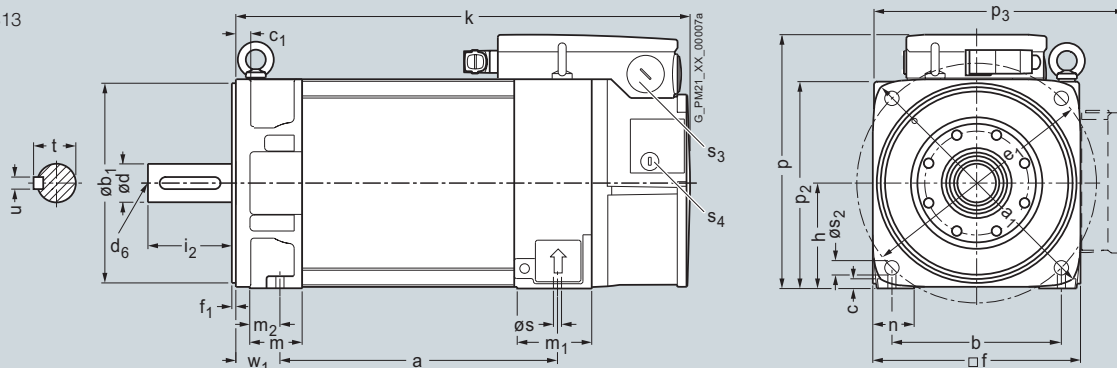
Shaft height	Type	DIN IEC	a B	a ₁ P	b A	b ₁ N	c HA	e ₁ M	f AB	f ₁ T	h H	k LB	m BA	m ₁ -	m ₂ -	n AA
--------------	------	---------	-----	------------------	-----	------------------	------	------------------	------	------------------	-----	------	------	------------------	------------------	------

1PH8, type of construction IM B35, forced ventilation																
132	1PH8131		220.5 (8.68)	340 (13.39)	216 (8.50)	250 (9.84)	15 (0.59)	300 (11.81)	260 (10.24)	5 (0.20)	132 (5.20)	439 (17.28)	65 (2.56)	93 (3.66)	35 (1.38)	52 (2.05)
	1PH8133		265.5 (10.45)									484 (19.06)				
	1PH8135		310.5 (12.22)									529 (20.83)				
	1PH8137		350.5 (13.80)									569 (22.40)				

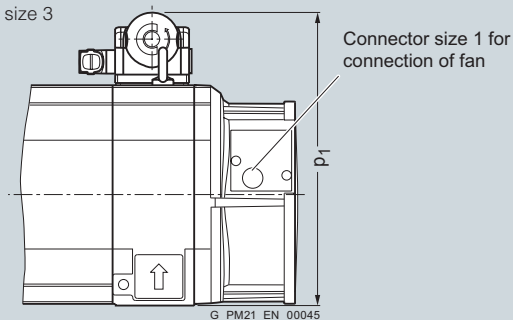
Shaft height Type DIN IEC p HD p₁ - p₂ - p₃ - s K s₂ - s₃ - s₄ - w₁ C d D d₆ - i₂ E_F t GA u F DE shaft extension

132	1PH8131		317.5 (12.42)	347 (13.66)	262 (10.31)	357.5 (14.07)	12 (0.47)	18 (0.71)	M40 × 1.5	M20 × 1.5	53 (2.09)	48 (1.89)	M16	110 (4.33)	51.5 (2.03)	14 (0.55)
	1PH8133															
	1PH8135															
	1PH8137															

1PH813



Version with power connector size 3



Synchronous motors

Dimensional drawings

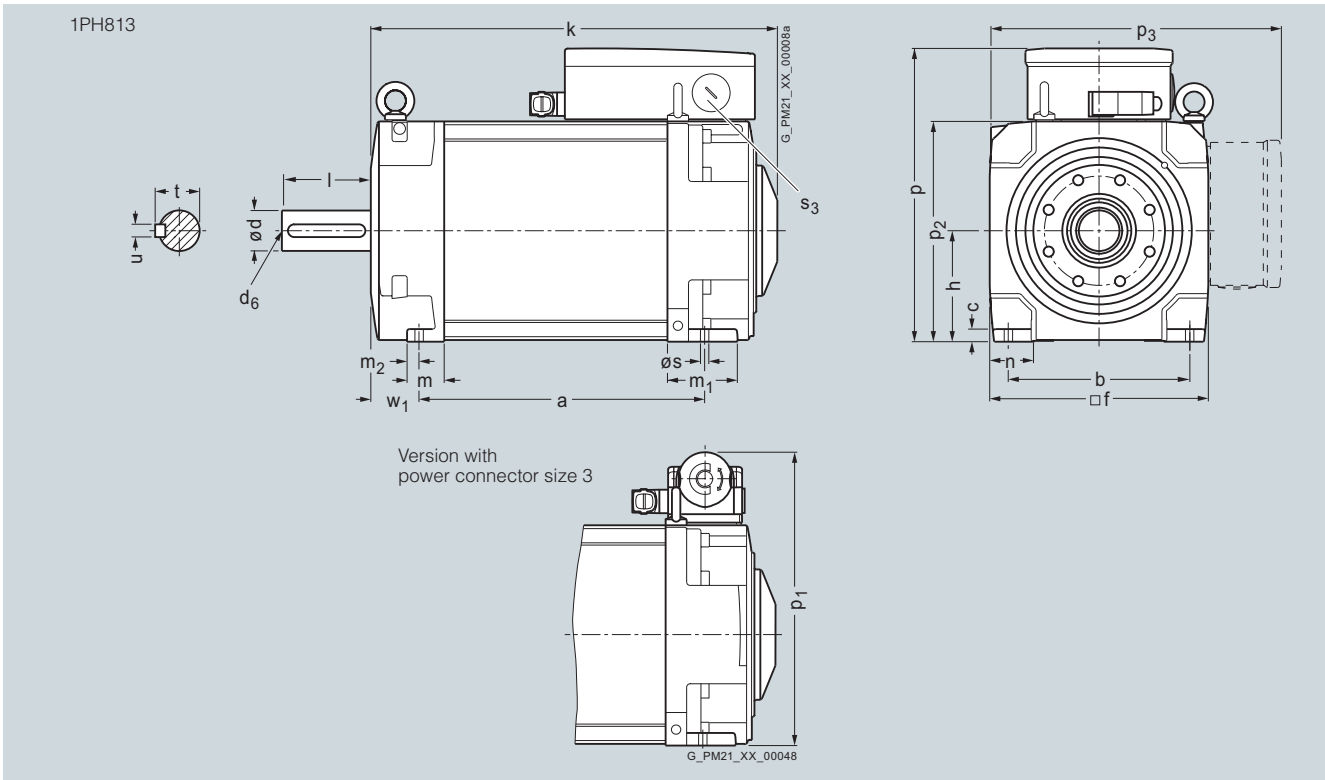
1PH8 motors SH 132 – Water cooling

Dimensional drawings

For motor Dimensions in mm (inches)

Shaft height	Type	DIN IEC B	a	b	c	f	h	k	m	m ₁	m ₂	n
			mm	mm	mm	mm	mm	mm	mm	mm	mm	mm
1PH8, type of construction IM B3, water cooling												
132	1PH8131		220.5 (8.68)	216 (8.50)	15 (0.59)	260 (10.24)	132 (5.20)	347.5 (13.68)	43 (1.69)	81 (3.19)	13 (0.51)	43 (1.69)
	1PH8133		265.5 (10.45)					392.5 (15.45)				
	1PH8135		310.5 (12.22)					437.5 (17.22)				
	1PH8137		350.5 (13.80)					477.5 (18.80)				
	1PH8138		350.5 (13.80)					477.5 (18.80)				

Shaft height	Type	DIN IEC HD	DE shaft extension													
			p	p ₁	p ₂	p ₃	s	s ₃	w ₁	d	d ₆	l	t	u		
			mm	mm	mm	mm	mm	mm	mm	mm	mm	mm	mm	mm	mm	mm
132	1PH8131		347.5 (13.68)	347 (13.66)	262 (10.31)	357.5 (14.07)	12 (0.47)	M50 × 1.5	53 (2.09)	48 (1.89)	M16	110 (4.33)	51.5 (2.03)	14 (0.55)		
	1PH8133															
	1PH8135															
	1PH8137															
	1PH8138															



Synchronous motors

Dimensional drawings

1PH8 motors SH 132 – Water cooling

Dimensional drawings

For motor Dimensions in mm (inches)

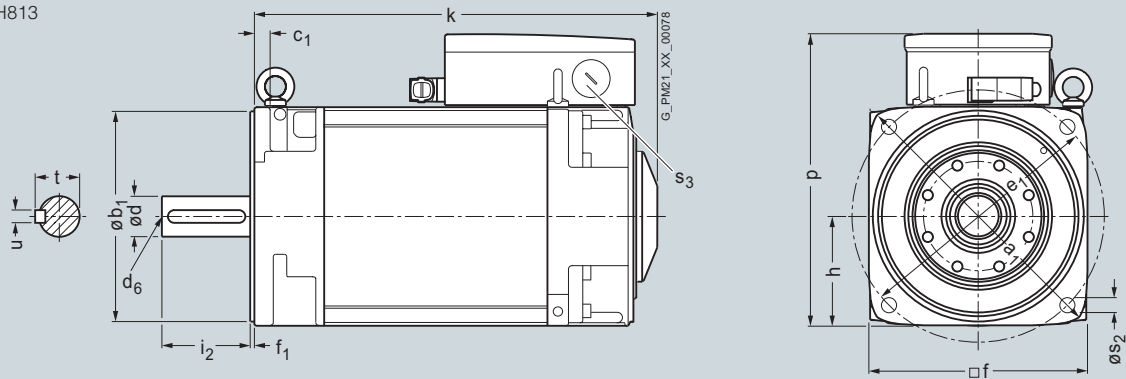
Shaft height	Type	DIN IEC P	a ₁ N	b ₁ N	c ₁ LA	e ₁ M	f AB	f ₁ T	h H	k LB
--------------	------	-----------	------------------	------------------	-------------------	------------------	------	------------------	-----	------

1PH8, type of construction IM B5, water cooling

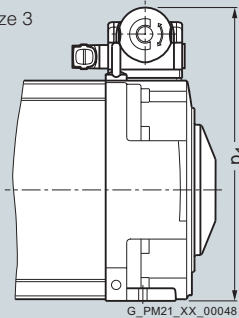
132	1PH8131	340 (13.39)	250 (9.84)	18 (0.71)	300 (11.81)	260 (10.24)	5 (0.20)	130 (5.12)	347.5 (13.68)
	1PH8133								392.5 (15.45)
	1PH8135								437.5 (17.22)
	1PH8137								477.5 (18.80)
	1PH8138								477.5 (18.80)

Shaft height	Type	DIN IEC P	p HD	p ₁ –	s ₂ –	s ₃ –	DE shaft extension				
							d D	d ₆ –	i ₂ E	t GA	u F
132	1PH8131	345.5 (13.60)	345 (13.58)	18 (0.71)	M50 x 1.5	48 (1.89)	M16	110 (4.33)	51.5 (2.03)	14 (0.55)	
	1PH8133										
	1PH8135										
	1PH8137										
	1PH8138										

1PH813



Version with
power connector size 3



Dimensional drawings

For motor Dimensions in mm (inches)

Shaft height	Type	DIN IEC B	a	a ₁	b	b ₁	c	c ₁	e ₁	f	f ₁	h	k	m	m ₁	m ₂	n
				P	A	N	HA	LA	M	AB	T	H	LB	BA	-	-	AA

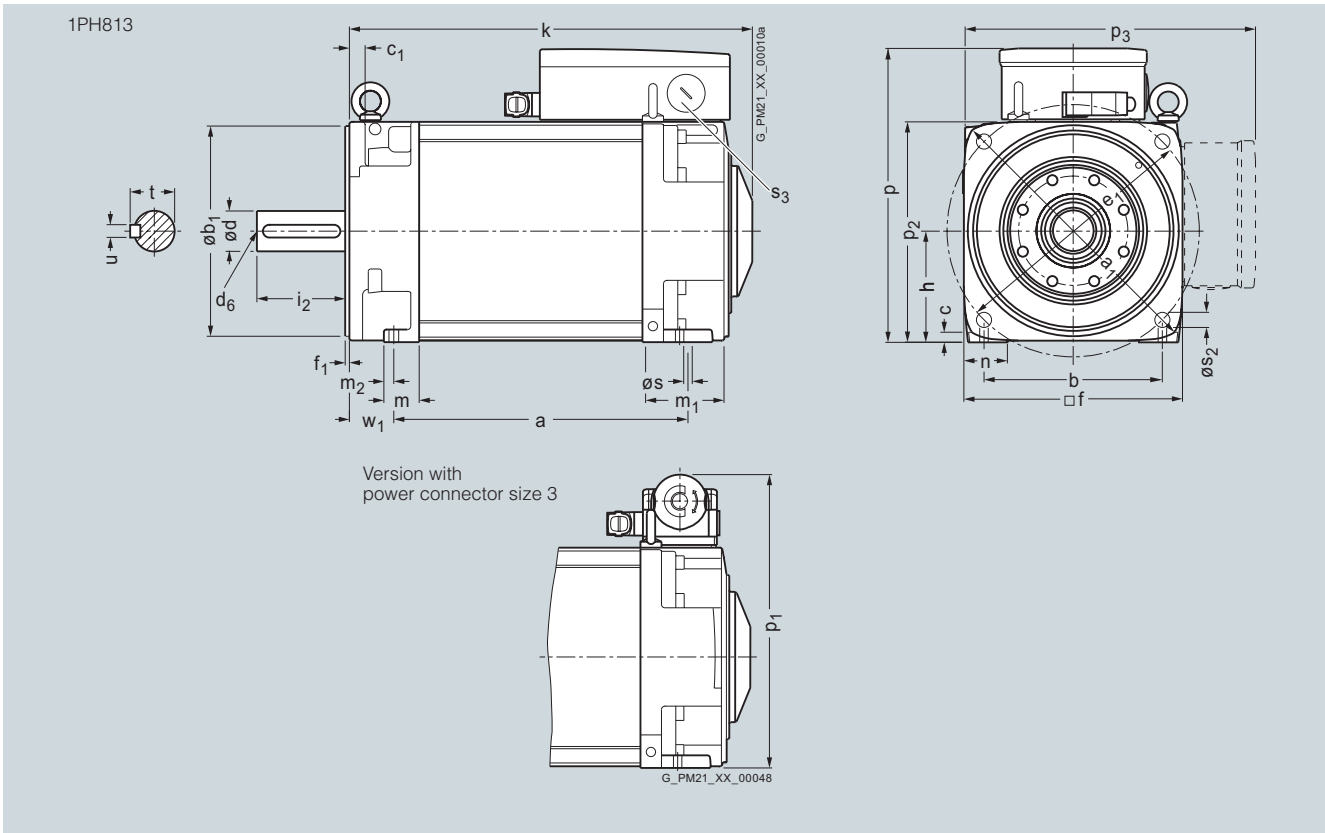
1PH8, type of construction IM B35, water cooling

132	1PH8131		220.5 (8.68)	340 (13.39)	216 (8.50)	250 (9.84)	15 (0.59)	18 (0.71)	300 (11.81)	260 (10.24)	5 (0.20)	132 (5.20)	347.5 (13.68)	42 (1.65)	81 (3.19)	12 (0.47)	43 (1.69)
	1PH8133			265.5 (10.45)									392.5 (15.45)				
	1PH8135			310.5 (12.22)									437.5 (17.22)				
	1PH8137			350.5 (13.80)									477.5 (18.80)				
	1PH8138			350.5 (13.80)									477.5 (18.80)				

Shaft height DE shaft extension

Shaft height	Type	DIN IEC HD	p	p ₁	p ₂	p ₃	s	s ₂	s ₃	w ₁	d	d ₆	i ₂	t	u
				-	-	-	K	-	-	C	D	-	E	GA	F

132	1PH8131		347.5 (13.68)	347 (13.66)	262 (10.31)	357.5 (14.07)	12 (0.47)	18 (0.71)	M50 × 1.5	53 (2.09)	48 (1.89)	M16	110 (4.33)	51.5 (2.03)	14 (0.55)
	1PH8133														
	1PH8135														
	1PH8137														
	1PH8138														



Synchronous motors

Dimensional drawings

1PH8 motors SH 180/SH 225 – Water cooling

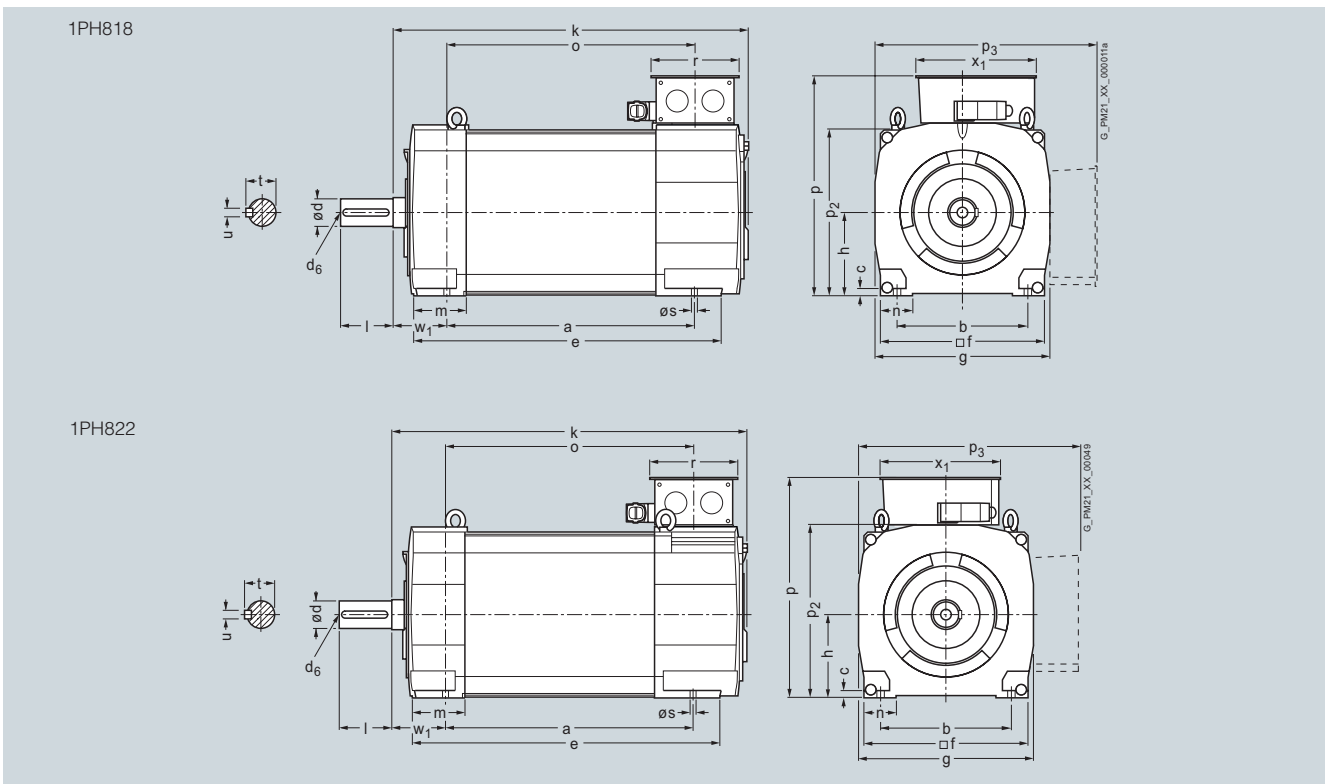
Dimensional drawings

For motor Dimensions in mm (inches)

Shaft height	Type	DIN IEC	a B	b A	c HA	f AB	g AC	h H	k LB	m BA	n AA	p ₂	s K	w ₁ C
1PH8, types of construction IM B3/IM V5, water cooling														
180	1PH8184		430 (16.93)	279 (10.98)	15 (0.59)	356 (14.02)	384 (15.12)	180 (7.09)	670 (26.38)	138 (5.43)	73 (2.87)	372 (14.65)	14.5 (0.57)	121 (4.76)
	1PH8186		520 (20.47)						760 (29.92)					
225	1PH8224		445 (17.52)	356 (14.02)	18 (0.71)	446 (17.56)	474 (18.66)	225 (8.86)	775 (30.51)	154 (6.06)	88 (3.46)	462 (18.19)	18.5 (0.73)	149 (5.87)
	1PH8226		545 (21.46)						875 (34.45)					
	1PH8228		635 (25.00)						965 (37.99)					

Shaft height	Type	DE shaft extension					Terminal box 1XB7322				1XB7422				1XB7700			
		d D	d ₆	l E	t GA	u F	p HD	p ₃	r LL	x ₁ AG	p HD	p ₃	r LL	x ₁ AG	p HD	p ₃	r LL	x ₁ AG
180	1PH8184	65m6	M20	140 (5.51)	69 (2.72)	18 (0.71)	484 (19.06)	485 (19.09)	197 (7.76)	258 (10.16)	539 (21.22)	540 (21.26)	230 (9.06)	303 (11.93)	588 (23.15)	574 (22.60)	310 (12.20)	295 (11.61)
	1PH8186																	
225	1PH8224	75m6	M20	140 (5.51)	79.5 (3.13)	20 (0.79)	579 (22.80)	577 (22.72)	197 (7.76)	258 (10.16)	634 (24.96)	632 (24.88)	230 (9.06)	303 (11.93)	683 (25.12)	666 (26.22)	310 (12.20)	295 (11.61)
	1PH8226																	
	1PH8228																	

7



Synchronous motors

Dimensional drawings

1PH8 motors SH 180/SH 225 – Water cooling

Dimensional drawings

For motor Dimensions in mm (inches)

Shaft height	Type	DIN IEC	a B	D400		D450		D550		b A	D400		D450		D550		c HA	c ₁ LA	e ₁ M	f AB	f ₁ T	g AC
				a ₁ P	D450	D550	b ₁ N	D450	D550		D450	D550										
1PH8, types of construction IM B5/IM B35/IM V15, water cooling																						
180	1PH8184		430 (16.93)	400 (15.75)	450 (17.72)	–	279 (10.98)	300 (11.81)	350 (13.78)	–	15 (0.59)	16 (0.63)	350 (13.78)	400 (15.75)	–	356 (14.02)	5 (0.20)	384 (15.12)				
	1PH8186		520 (20.47)																			
225	1PH8224		445 (17.52)	–	–	550 (21.65)	356 (14.02)	–	–	450 (17.72)	18 (0.71)	20 (0.79)	–	–	500 (19.69)	446 (17.56)	5 (0.20)	474 (18.66)				
	1PH8226		545 (21.46)																			
	1PH8228		635 (25.00)																			

Shaft height	Type	DIN IEC	h H	k LB	m BA	n AA	p ₂ –	s K	w ₁ C	DE shaft extension			Terminal box				
										d D	d ₆ –	l E	t GA	u F	Dimensions as with types of construction IM B3/IM V5		
180	1PH8184		180 (7.09)	670 (26.38)	123 (4.84)	73 (2.87)	372 (14.65)	14.5 (0.57)	121 (4.76)	65m6	M20	140 (5.51)	69 (2.72)	18 (0.71)			
	1PH8186		760 (29.92)														
225	1PH8224		225 (8.86)	770 (30.31)	144 (5.67)	88 (3.46)	462 (18.19)	18.5 (0.73)	149 (5.87)	75m6	M20	140 (5.51)	79.5 (3.13)	20 (0.79)			
	1PH8226		872 (34.33)														
	1PH8228		962 (37.87)														

