

Asynchronous motors

Dimensional drawings

1PH8 motors SH 80 – Forced ventilation

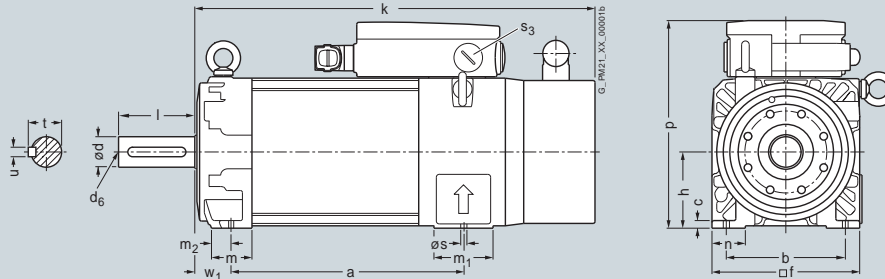
Dimensional drawings

For motor Dimensions in mm (in)

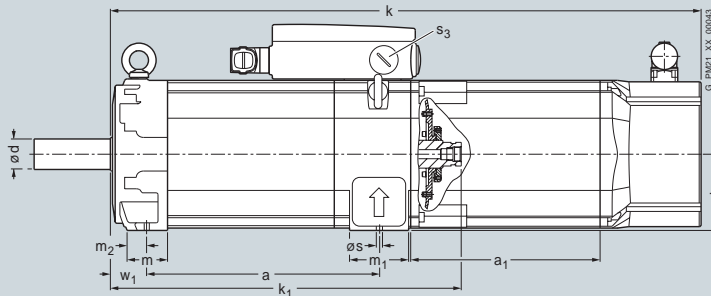
Shaft height	Type	DIN IEC	a B	b A	c HA	f AB	h H	k LB	m BA	m ₁ –	m ₂ –	n AA	p HD	p ₁ –	s K	s ₃ –	w ₁ C
1PH8, type of construction IM B3, forced ventilation																	
80	1PH8083		194 (7.64)	125 (4.92)	8 (0.31)	155 (6.10)	80 (3.15)	375 (14.76)	42 (1.65)	62 (2.44)	20 (0.79)	35 (1.38)	216 (8.5)	253.5 (9.98)	10 (0.39)	M25x1.5	38 (1.50)
	1PH8087		244 (9.61)					425 (16.73)									

Shaft height	Type	DIN IEC	DE shaft extension				Version with hollow shaft		
			d D	d ₆ –	t GA	u F	k LB	k ₁ –	l L
80	1PH8083		32 (1.26)	M12	35 (1.38)	10 (0.39)	575 (22.64)	319.3 (12.57)	80 (3.15)
	1PH8087					625 (24.61)	369.3 (14.54)		

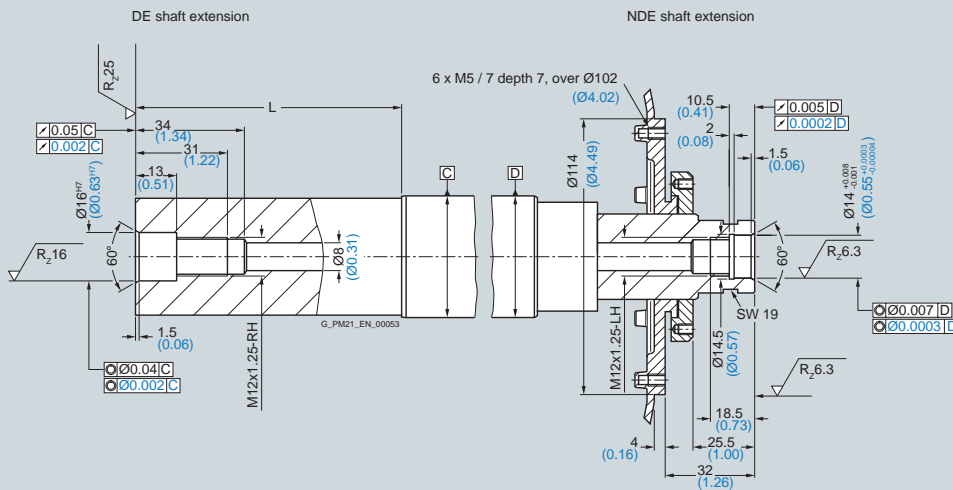
1PH808



Version with hollow shaft



Hollow shaft
1PH808



8

Asynchronous motors

Dimensional drawings

1PH8 motors SH 80 – Forced ventilation

Dimensional drawings

For motor Dimensions in mm (in)

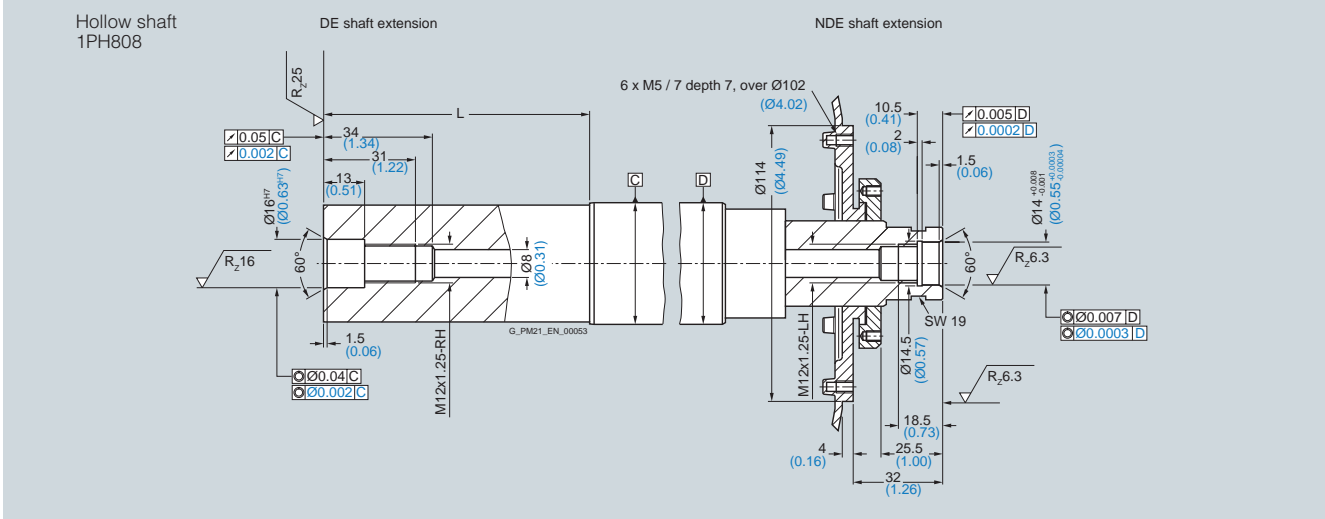
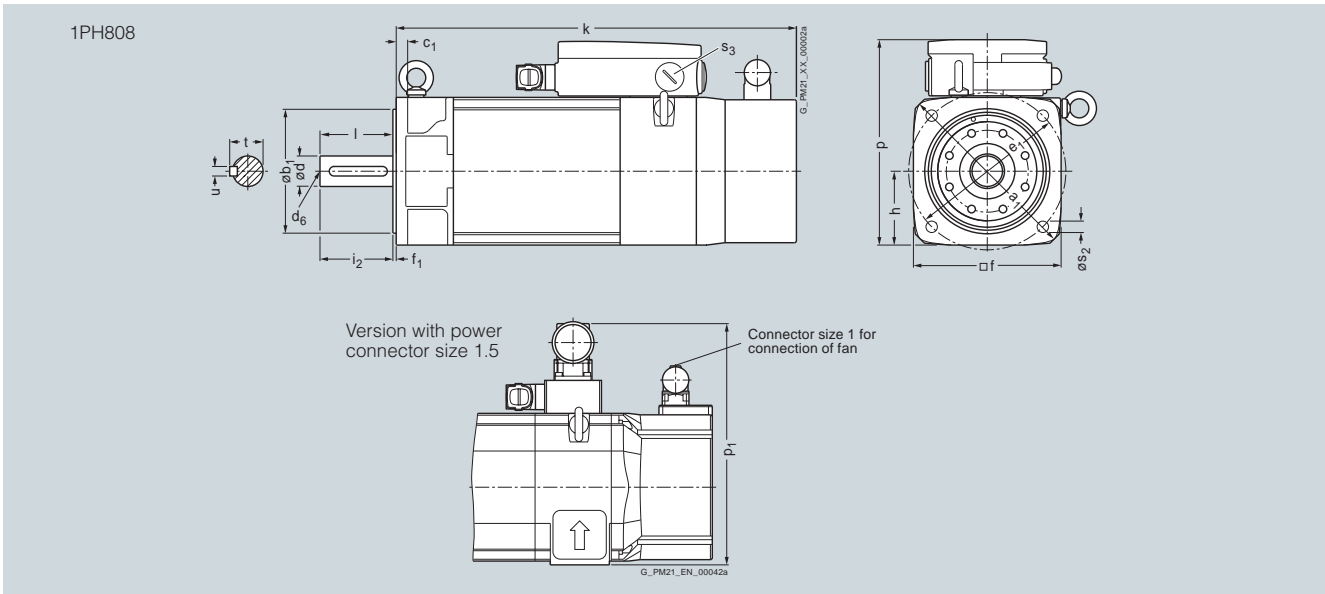
Shaft height	Type	DIN IEC	a ₁ P	b ₁ N	c ₁ LA	e ₁ M	f AB	f ₁ T	h H	k LB	p HD	p ₁ -	s ₂ -	s ₃ -
--------------	------	---------	------------------	------------------	-------------------	------------------	------	------------------	-----	------	------	------------------	------------------	------------------

1PH8, type of construction IM B5, forced ventilation

80	1PH8083		200 (7.87)	130 (5.12)	12 (0.47)	165 (6.50)	155 (6.10)	3.5 (0.14)	77.5 (3.05)	375 (14.76)	213.5 (8.41)	251 (9.88)	12 (0.47)	M25×1.5
	1PH8087									425 (16.73)				

Shaft height	Type	DIN IEC	DE shaft extension					Version with hollow shaft		
			d D	d ₆ -	i ₂ E ₁	t GA	u F	k LB	k ₁ -	l L

80	1PH8083		32 (1.26)	M12	80 (3.15)	35 (1.38)	10 (0.39)	575 (22.64)	319.3 (12.57)	80 (3.15)				
	1PH8087							625 (24.61)	369.3 (14.54)					



Asynchronous motors

Dimensional drawings

1PH8 motors SH 100/SH 132 – Forced ventilation

Dimensional drawings

For motor Dimensions in mm (in)

Shaft height	Type	DIN IEC	a B	b A	c HA	c ₁ LA	f AB	h H	k LB	m BA	m ₁ –	m ₂ –	n AA	p HD	p ₁ –	p ₂ –	p ₃ –	
1PH8, type of construction IM B3, forced ventilation																		
100	1PH8101		167 (6.57)	160 (6.30)	11 (0.43)	–	196 (7.72)	100 (3.94)	369.5 (14.55)	49 (1.93)	74 (2.91)	24 (0.94)	40 (1.57)	252 (9.92)	294 (11.6)	198 (7.80)	276.5 (10.89)	
	1PH8103		202.5 (7.97)						405 (15.94)									
	1PH8105		262 (10.31)						464.5 (18.29)									
	1PH8107		297.5 (11.71)						500 (19.69)									
132	1PH8131		220.5 (8.68)	216 (8.50)	15 (0.59)	18 (0.71)	260 (10.24)	132 (5.20)	439 (17.28)	57 (2.24)	93 (3.66)	27 (1.06)	52 (2.05)	317.5 (12.50)	347 (13.66)	262 (10.31)	357.5 (14.07)	
	1PH8133		265.5 (10.45)						484 (19.06)									
	1PH8135		310.5 (12.22)						529 (20.83)									
	1PH8137		350.5 (13.80)						569 (22.40)									

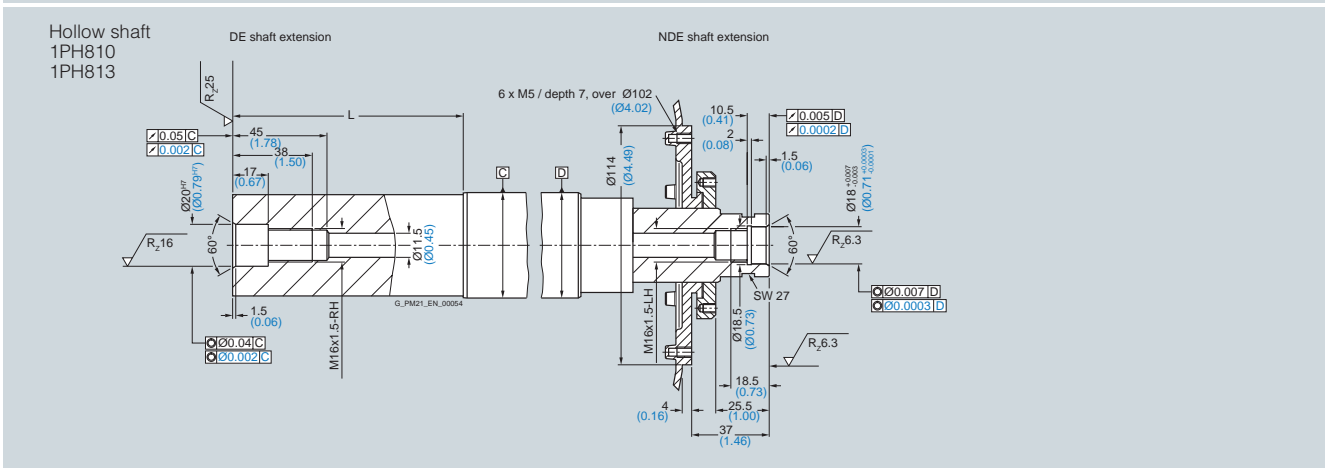
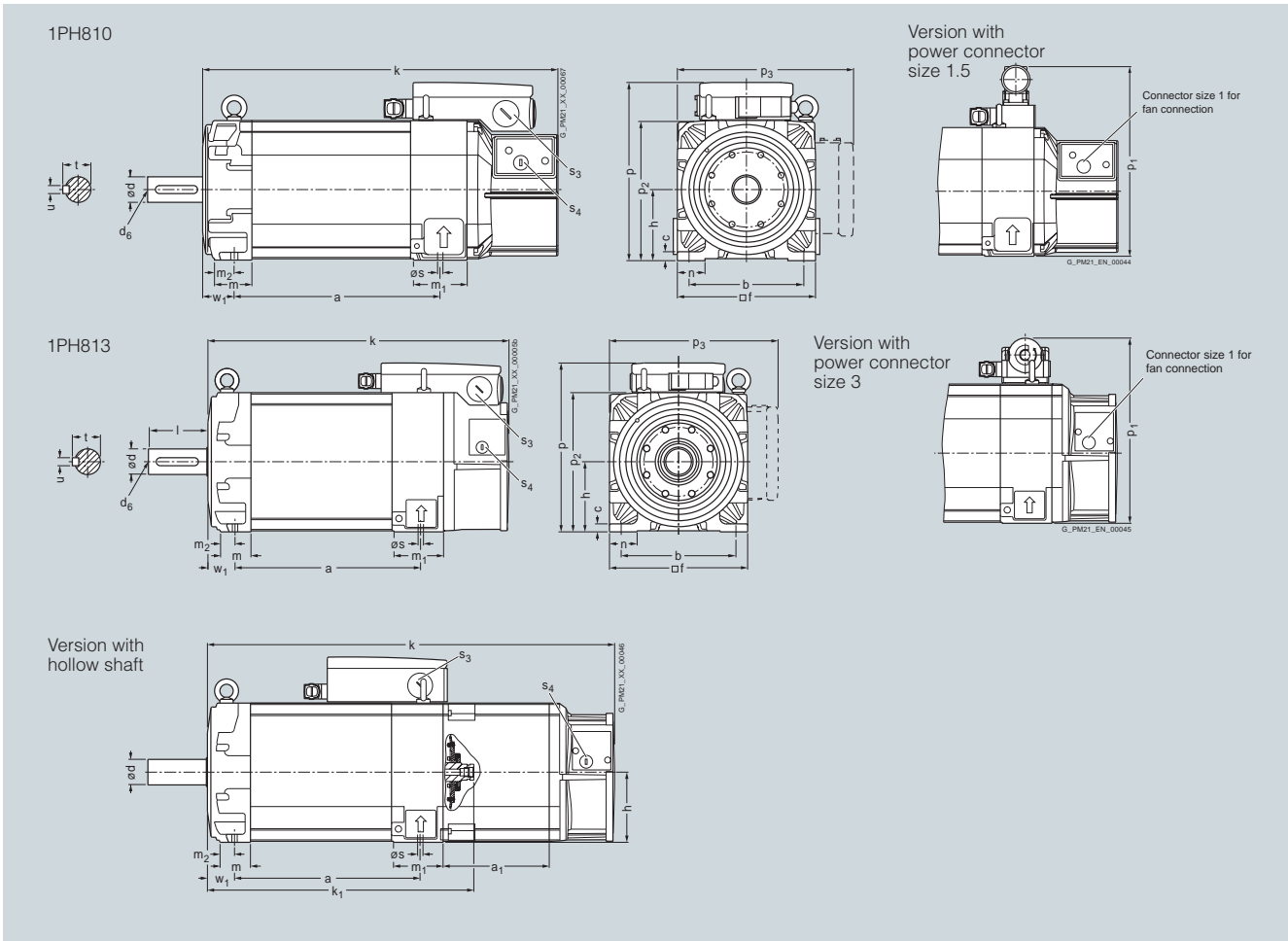
Shaft height	Type	DIN IEC	s K	s ₃ –	s ₄ –	w ₁ C	DE shaft extension				Version with hollow shaft					
							d D	d ₆ –	t GA	u F	k LB	k ₁ –	p HD	p ₃ –	s ₃ –	l L
100	1PH8101		12 (0.47)	M32×1.5	M20×1.5	43 (1.69)	38 (1.50)	M12	41 (1.61)	10 (0.39)	569.5 (22.42)	312.3 (12.30)	266.5 (10.49)	276.5 (10.89)	M32×1.5	80 (3.15)
	1PH8103										605 (23.82)	347.8 (13.69)				
	1PH8105										664.5 (26.16)	407.3 (16.04)				
	1PH8107										700 (27.56)	442.8 (17.43)				
132	1PH8131		12 (0.47)	M40×1.5	M20×1.5	53 (2.09)	48 (1.89)	M16	51.5 (2.03)	14 (0.55)	639 (25.16)	372.8 (14.68)	347.5 (13.68)	357.5 (14.07)	M50×1.5	110 (4.33)
	1PH8133										684 (26.93)	417.8 (16.45)				
	1PH8135										729 (28.70)	462.8 (18.22)				
	1PH8137										769 (30.28)	502.8 (19.80)				

Asynchronous motors

Dimensional drawings

1PH8 motors SH 100/SH 132 – Forced ventilation

Dimensional drawings



Asynchronous motors

Dimensional drawings

1PH8 motors SH 100 – Forced ventilation

Dimensional drawings

For motor Dimensions in mm (in)

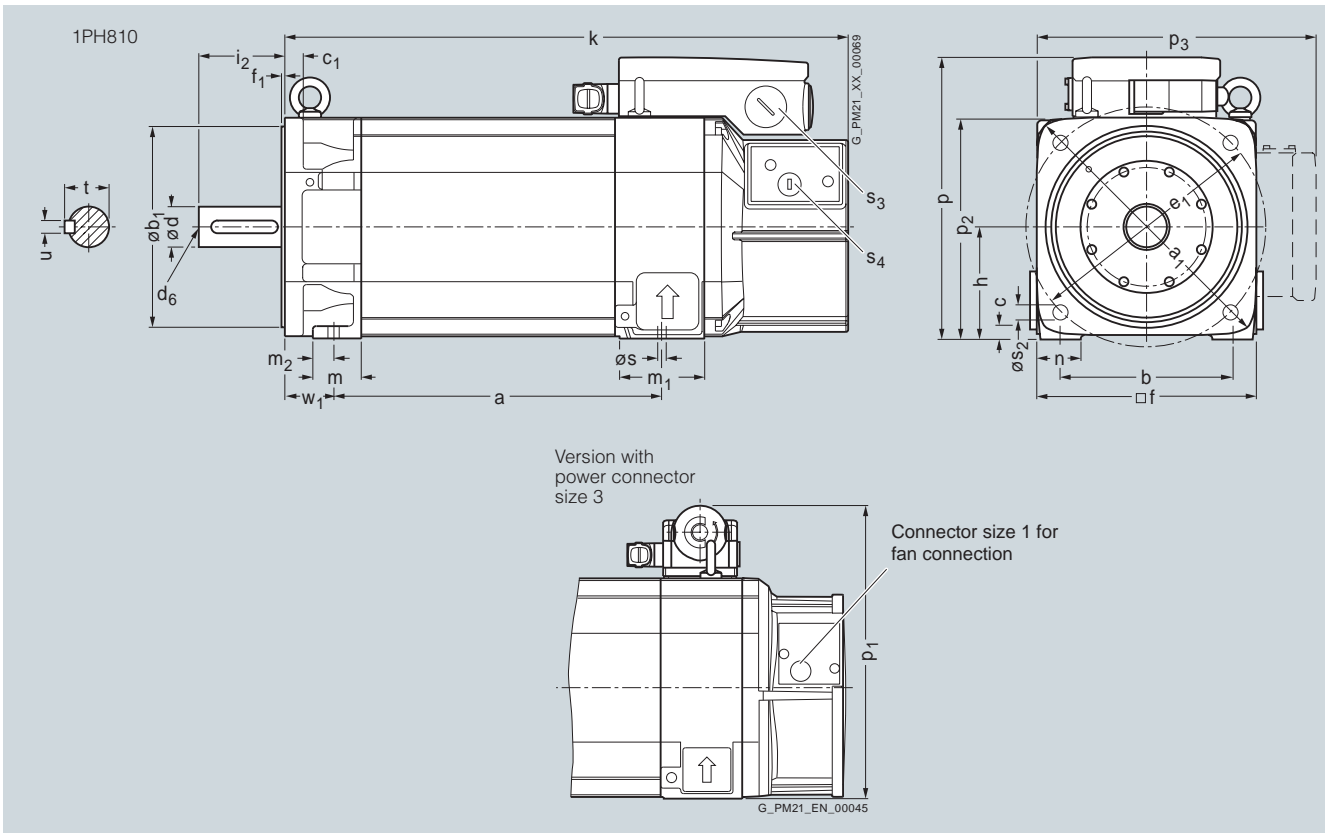
Shaft height	Type	DIN IEC	a B	a ₁ P	b A	b ₁ N	c HA	c ₁ LA	e ₁ M	f AB	f ₁ T	h H	k LB	m BA	m ₁ -	m ₂ -	n AA	p HD	p ₁ -
--------------	------	---------	-----	------------------	-----	------------------	------	-------------------	------------------	------	------------------	-----	------	------	------------------	------------------	------	------	------------------

1PH8, type of construction IM B35, forced ventilation

100	1PH8101		167 (6.57)	250 (9.84)	160 (6.30)	180 (7.09)	11 (0.43)	16 (0.63)	215 (8.46)	196 (7.72)	4 (0.16)	100 (3.94)	369.5 (14.55)	44 (1.73)	74 (2.91)	19 (0.75)	40 (1.57)	252 (9.92)	294 (11.57)
	1PH8103			202.5 (7.97)									405 (15.94)						
	1PH8105			262 (10.31)									464.5 (18.29)						
	1PH8107			297.5 (11.71)									500 (19.69)						

Shaft height	Type	DIN IEC	DE shaft extension								Version with hollow shaft						
			p ₂ -	p ₃ -	s K	s ₂ -	s ₃ -	s ₄ -	w ₁ C	d D	d ₆ -	i ₂ E	t GA	u F	k LB	k ₁ -	p HD

100	1PH8101		198 (7.80)	276.5 (10.89)	12 (0.47)	14 (0.55)	M32×1.5	M20×1.5	43	38 (1.69)	M12	80 (3.15)	41 (1.61)	10 (0.39)	569.5 (22.42)	312.3 (12.30)	266.5 (10.49)	276.5 (10.89)	M32×1.5	80 (3.15)
	1PH8103														605 (23.82)	347.8 (13.69)				
	1PH8105														664.5 (26.16)	407.3 (16.04)				
	1PH8107														700 (27.56)	442.8 (17.43)				



Dimensional drawings

For motor Dimensions in mm (in)

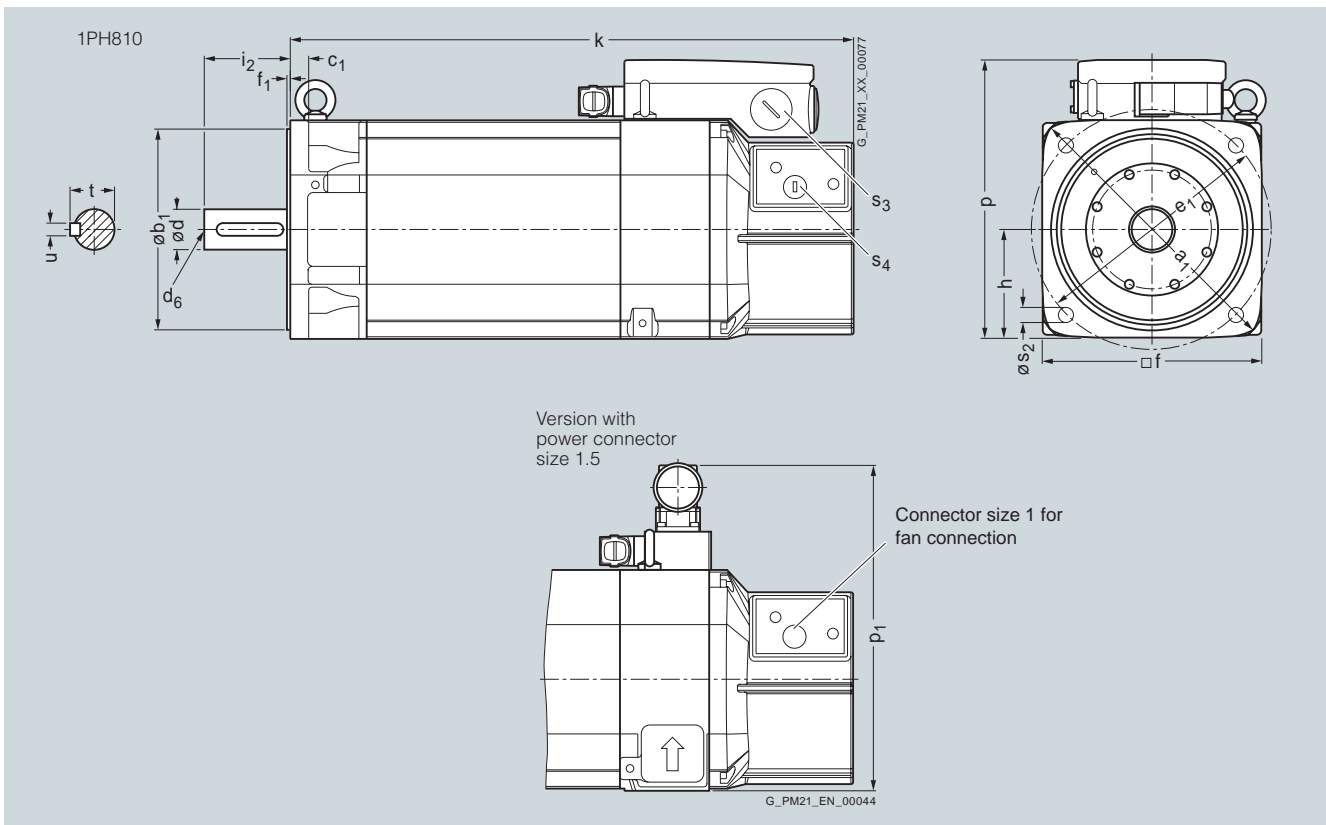
Shaft height	Type	DIN IEC	a ₁ P	b ₁ N	c ₁ LA	e ₁ M	f AB	f ₁ T	h H	k LB	p HD	p ₁ –
--------------	------	---------	------------------	------------------	-------------------	------------------	------	------------------	-----	------	------	------------------

1PH8, type of construction IM B5, forced ventilation

100	1PH8101		250 (9.84)	180 (7.09)	16 (0.63)	215 (8.46)	196 (7.72)	4 (0.16)	98 (3.86)	369.5 (14.55)	250 (9.84)	292 (11.50)
	1PH8103									405 (15.94)		
	1PH8105									464.5 (18.29)		
	1PH8107									500 (19.69)		

Shaft height	Type	DIN IEC	DE shaft extension				Version with hollow shaft					
			s ₂ –	s ₃ –	s ₄ –	d D	d ₆ –	i ₂ E	t GA	u F	k LB	k ₁ –

100	1PH8101		14 (0.55)	M32×1.5	M20×1.5	38 (1.50)	M12	80 (3.15)	41 (1.61)	10 (0.39)	569.5 (22.42)	312.3 (12.30)	264.5 (10.41)	M32×1.5	80 (3.15)
	1PH8103										605 (23.82)	347.8 (13.69)			
	1PH8105										664.5 (26.16)	407.3 (16.04)			
	1PH8107										700 (27.56)	442.8 (17.43)			



Asynchronous motors

Dimensional drawings

1PH8 motors SH 132 – Forced ventilation

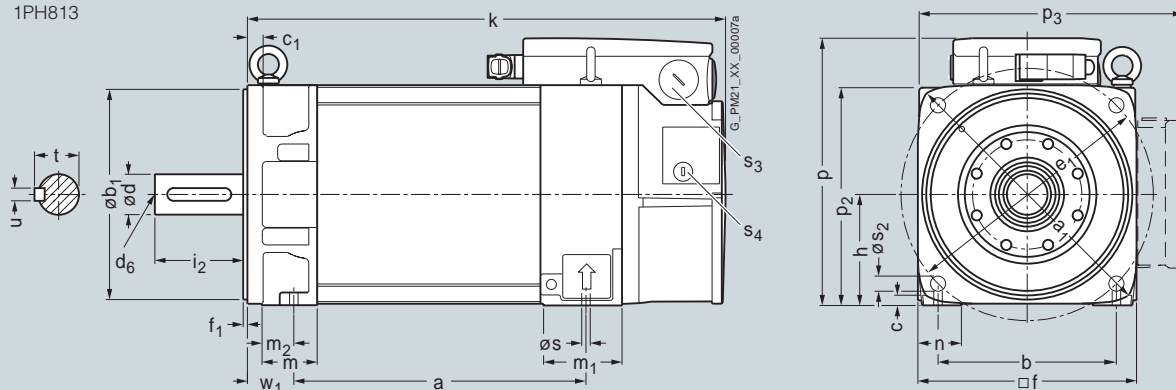
Dimensional drawings

For motor Dimensions in mm (in)

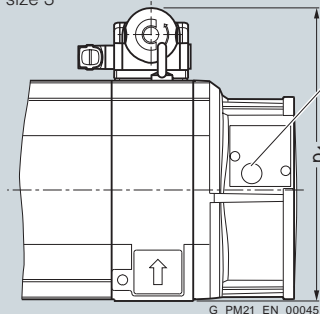
Shaft height	Type	DIN IEC B	a	a ₁ P	b A	b ₁ N	c HA	c ₁ LA	e ₁ M	f AB	f ₁ T	h H	k LB	m BA	m ₁ -	m ₂ -	n AA	p HD	p ₁ -
1PH8, type of construction IM B35, forced ventilation																			
132	1PH8131		220.5 (8.68)	340 (13.39)	216 (8.50)	250 (9.84)	15 (0.59)	18 (0.71)	300 (11.81)	260 (10.24)	5 (0.20)	132 (5.20)	439 (17.28)	65 (2.56)	93 (3.66)	35 (1.38)	52 (2.05)	317.5 (12.50)	347 (13.66)
	1PH8133		265.5 (10.45)										484 (19.06)						
	1PH8135		310.5 (12.22)										529 (20.83)						
	1PH8137		350.4 (13.80)										569 (22.40)						

Shaft height	Type	DIN IEC	DE shaft extension							Version with hollow shaft										
			p ₂ -	p ₃ -	s K	s ₂ -	s ₃ -	s ₄ -	w ₁ C	d D	d ₆ -	i ₂ E	t GA	u F	k LB	k ₁ -	p HD	p ₃ -	s ₃ -	l L
132	1PH8131		262 (10.31)	357.5 (14.07)	12 (0.47)	18 (0.71)	M40×1.5	M20×1.5	53	48 (2.09)	M16	110 (4.33)	51.5 (2.03)	14 (0.55)	639 (25.16)	372.8 (14.68)	347.5 (13.68)	357.5 (14.07)	M50×1.5	110 (4.33)
	1PH8133													684 (26.93)	417.8 (16.45)					
	1PH8135													729 (28.70)	462.8 (18.22)					
	1PH8137													769 (30.28)	502.8 (19.80)					

1PH813



Version with power connector size 3



Connector size 1 for fan connection

Dimensional drawings

For motor Dimensions in mm (in)

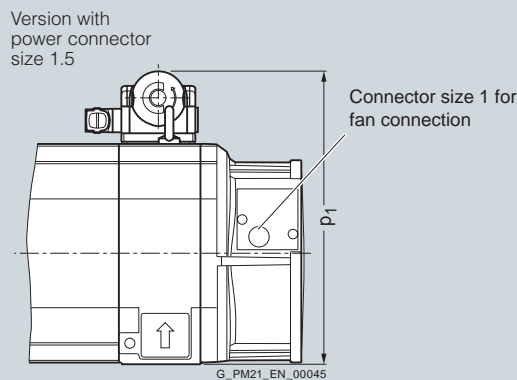
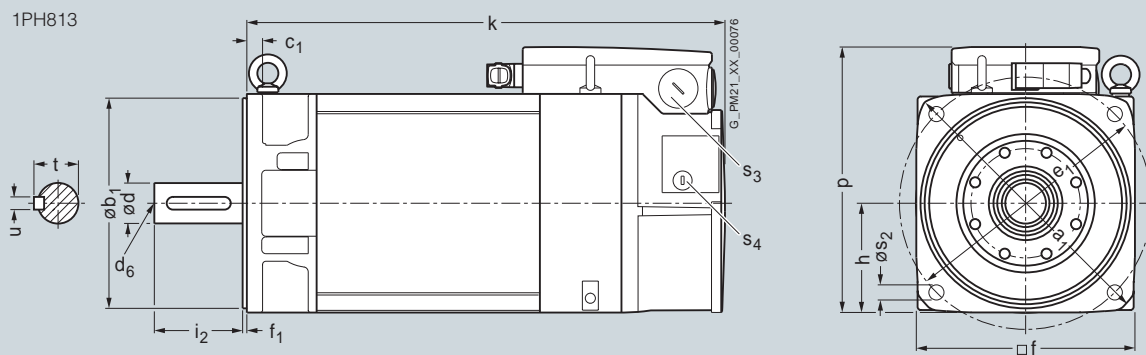
Shaft height	Type	DIN IEC	a ₁ P	b ₁ N	c ₁ LA	e ₁ M	f AB	f ₁ T	h H	k LB	p HD	p ₁ –
--------------	------	---------	------------------	------------------	-------------------	------------------	------	------------------	-----	------	------	------------------

1PH8, type of construction IM B5, forced ventilation

132	1PH8131		340 (13.39)	250 (9.84)	18 (0.71)	300 (11.81)	260 (10.24)	5 (0.20)	130 (5.12)	439 (17.28)	315.5 (12.42)	345 (13.58)
	1PH8133									484 (19.06)		
	1PH8135									529 (20.83)		
	1PH8137									569 (22.40)		

Shaft height	Type	DIN IEC	DE shaft extension			Version with hollow shaft						
			s ₂ –	s ₃ –	s ₄ –	d D	d ₆ –	i ₂ E	t GA	u F	k LB	k ₁ –

132	1PH8131		18 (0.71)	M40×1.5	M20×1.5	48 (1.89)	M16	110 (4.33)	51.5 (2.03)	14 (0.55)	639 (25.16)	372.8 (14.68)	345.5 (13.60)	M50×1.5	110 (4.33)
	1PH8133										684 (26.93)	417.8 (16.45)			
	1PH8135										729 (28.70)	462.8 (18.22)			
	1PH8137										769 (30.28)	502.8 (19.80)			



Asynchronous motors

Dimensional drawings

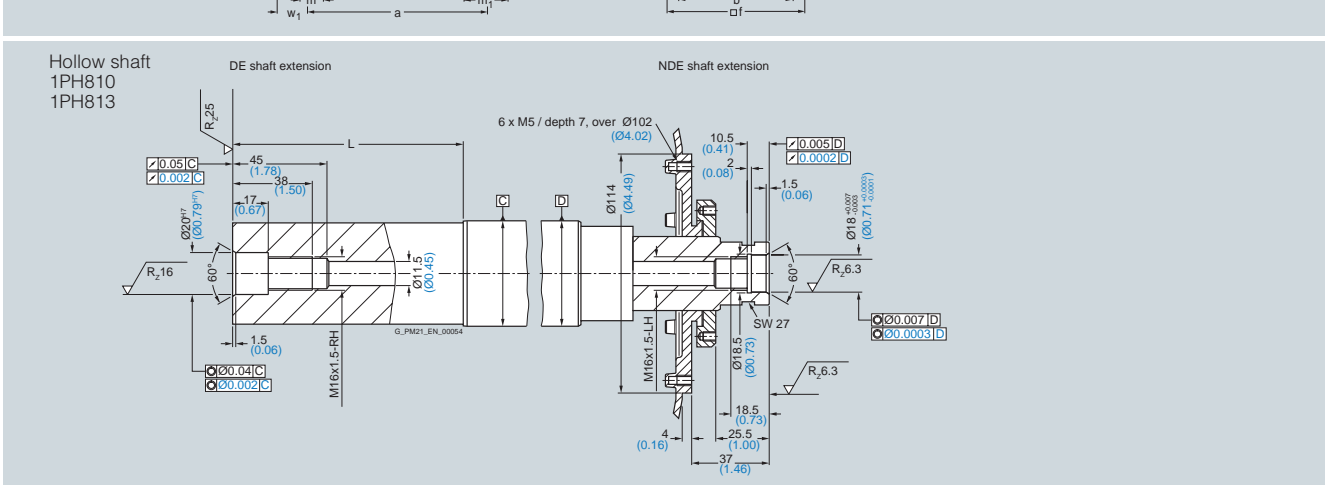
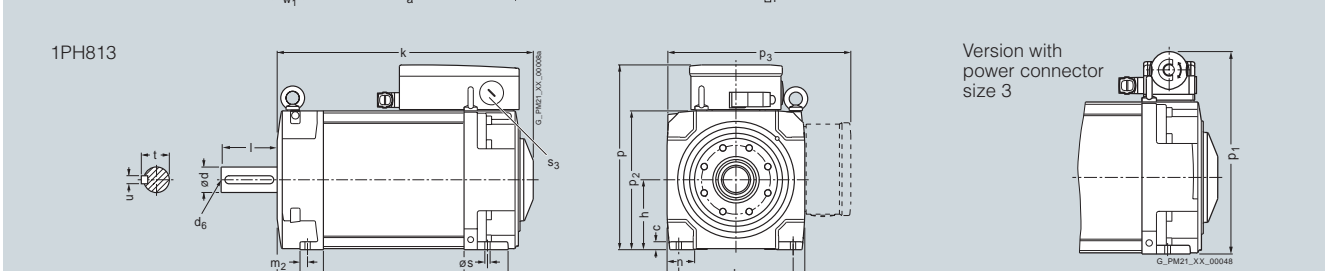
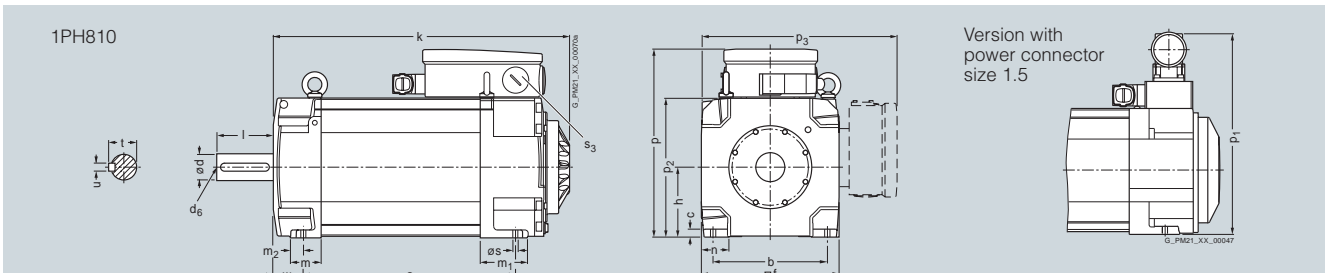
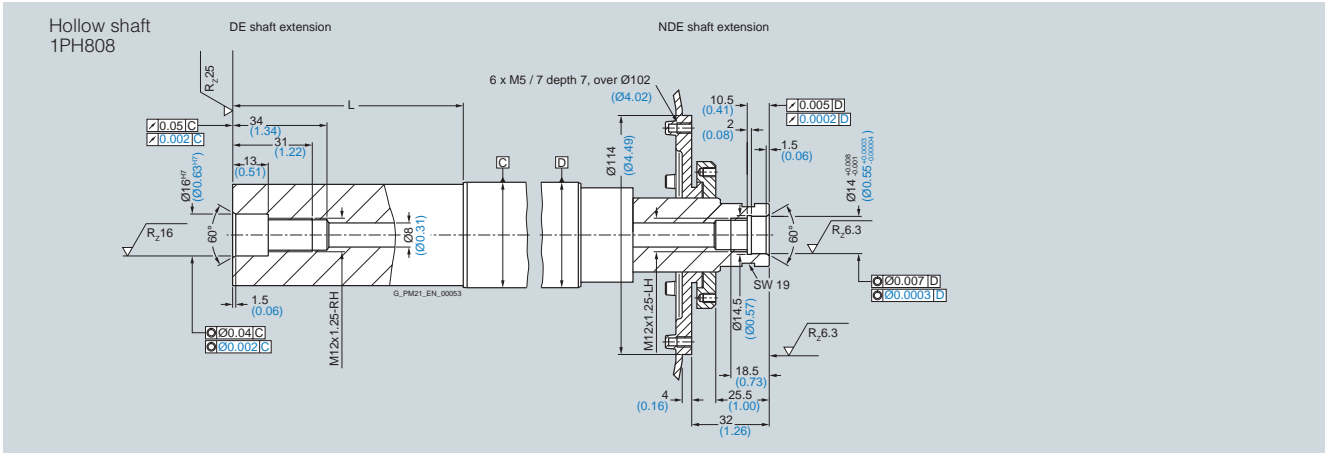
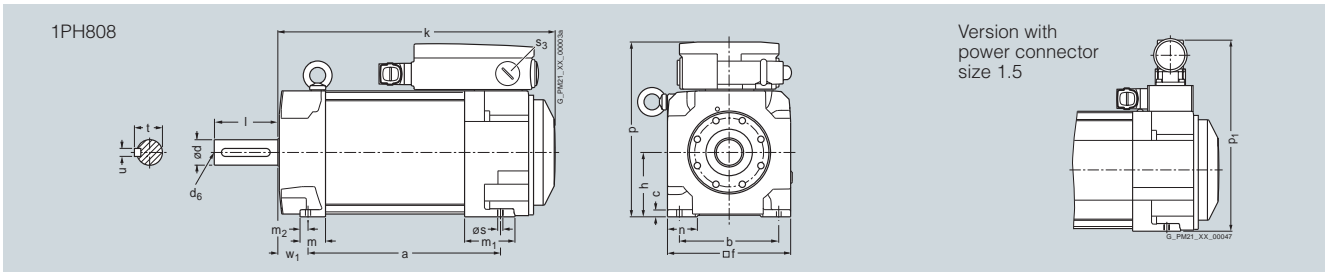
1PH8 motors SH 80 to SH 132 – Water cooling

Dimensional drawings

For motor		Dimensions in mm (in)													
Shaft height	Type	DIN IEC	a B	b A	c HA	f AB	h H	k LB	Standard/ Advanced/ Performance	High Performance/ Hollow shaft encoder		m BA	m ₁ –	m ₂ –	n AA
										without hollow shaft	with hollow shaft				
									k LB	k LB					
1PH8, type of construction IM B3, water cooling															
80	1PH8083		194 (7.64)	125 (4.92)	8 (0.31)	155 (6.10)	80 (3.15)	301.5 (11.87)	306.3 (12.06)	319.3 (12.57)	37 (1.46)	63.5 (2.50)	15 (0.59)	35 (1.38)	
	1PH8087		244 (9.61)					351.5 (13.84)	356.3 (14.03)	369.3 (14.54)					
100	1PH8101		167 (6.57)	160 (6.30)	11 (0.43)	196 (7.72)	100 (3.94)	289.5 (11.40)	294.5 (11.59)	312.3 (12.30)	44 (1.73)	68 (2.68)	19 (0.75)	43 (1.69)	
	1PH8103		202.5 (7.97)					325 (12.80)	330 (12.99)	347.8 (13.69)					
	1PH8105		262 (10.31)					384.5 (15.14)	389.5 (15.33)	407.3 (16.04)					
	1PH8107		297.5 (11.71)					420 (16.54)	425 (16.73)	442.8 (17.43)					
132	1PH8131		220.5 (8.68)	216 (8.50)	15 (0.59)	260 (10.24)	132 (5.20)	347.5 (13.68)	355 (13.98)	372.8 (14.68)	43 (1.69)	81 (3.19)	13 (0.51)	43 (1.69)	
	1PH8133		265.5 (10.45)					392.5 (15.45)	400 (15.75)	417.8 (16.45)					
	1PH8135		310.5 (12.22)					437.5 (17.22)	442 (17.52)	462.8 (18.22)					
	1PH8137		350.5 (13.80)					477.5 (18.80)	485 (19.09)	502.8 (19.80)					
	1PH8138		350.5 (13.80)					477.5 (18.80)	485 (19.09)	502.8 (19.80)					

Shaft height	Type	DIN IEC	p HD	p ₁ –	p ₂ –	p ₃ –	s K	s ₃ –	w ₁ C	DE shaft extension				
										d D	d ₆ –	t GA	u F	l L
80	1PH8083		216 (8.50)	253.5 (9.98)	–	–	10 (0.39)	M25×1.5	38 (1.50)	32 (1.26)	M12	35 (1.38)	10 (0.39)	80 (3.15)
	1PH8087													
100	1PH8101		266.5 (10.49)	294 (11.57)	198 (7.80)	276.5 (10.89)	12 (0.47)	M32×1.5	43 (1.69)	38 (1.50)	M12	41 (1.61)	10 (0.39)	80 (3.15)
	1PH8103													
	1PH8105													
	1PH8107													
132	1PH8131		347.5 (13.68)	347 (13.66)	262 (10.31)	357.5 (14.07)	12 (0.47)	M50×1.5	53 (2.09)	48 (1.89)	M16	51.5 (2.03)	14 (0.55)	110 (4.33)
	1PH8133													
	1PH8135													
	1PH8137													
	1PH8138													

Dimensional drawings



Asynchronous motors

Dimensional drawings

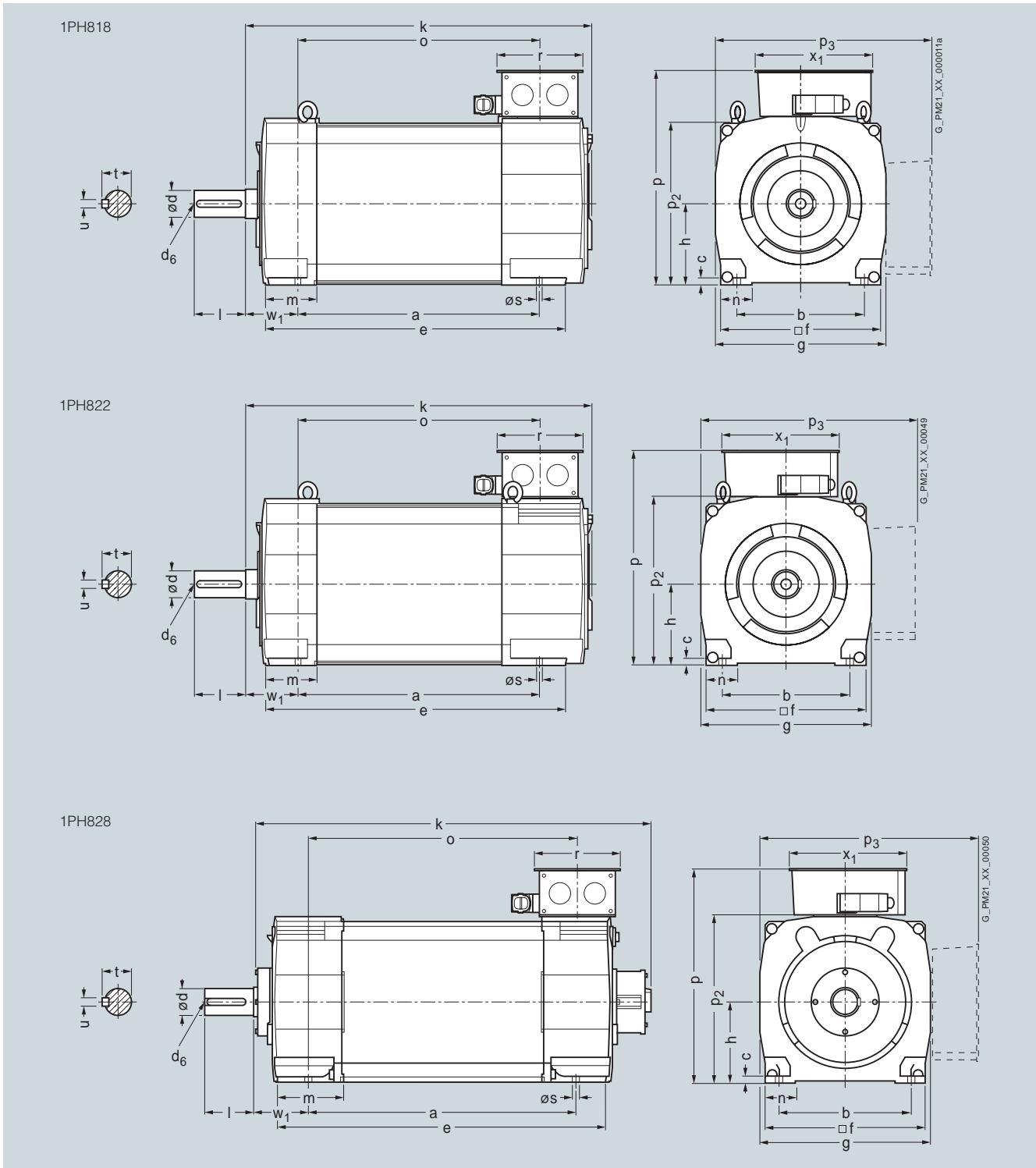
1PH8 motors SH 180 to SH 280 – Water cooling

Dimensional drawings

For motor		Dimensions in mm (in)															DE shaft extension				
Shaft height	Type	DIN IEC	a B	b A	c HA	f AB	g AC	h H	k LB	m BA	n AA	p ₂ –	s K	w ₁ C	d D	d ₆ –	l E	t GA	u F		
1PH8, types of construction IM B3/IM V5, water cooling																					
180	1PH8184		430 (16.93)	279 (10.98)	15 (0.59)	356 (14.02)	384 (15.12)	180 (7.09)	670 (26.38)	138 (5.43)	73 (2.87)	372 (14.65)	14.5 (0.55)	121 (4.76)	65m6	M20	140 (5.51)	69 (2.72)	18 (0.71)		
	1PH8186		520 (20.47)						760 (29.92)												
225	1PH8224		445 (17.52)	356 (14.02)	18 (0.71)	446 (17.56)	474 (18.66)	225 (8.86)	775 (30.51)	154 (6.06)	88 (3.46)	462 (18.19)	18.5 (0.73)	149 (5.87)	75m6	M20	140 (5.51)	79.5 (3.13)	20 (0.79)		
	1PH8226		545 (21.46)					875 (34.45)													
	1PH8228		635 (25.00)					965 (37.99)													
280	1PH8284		684 (26.93)	457 (17.99)	21 (0.83)	556 (21.89)	588 (23.15)	280 (11.02)	1134 (44.64)	220 (8.66)	105 (4.13)	574 (22.60)	24 (0.94)	190 (7.48)	95m6	M24	170 (6.69)	100 (3.94)	25 (0.98)		
	1PH8286		794 (31.26)					1244 (48.98)													
	1PH8288		924 (36.38)					1374 (54.09)													

Shaft height	Type	DIN IEC	Terminal box type															
			1XB7322				1XB7422				1XB7700				1XB7712			
			p HD	p ₃ –	r LL	x ₁ AG	p HD	p ₃ –	r LL	x ₁ AG	p HD	p ₃ –	r LL	x ₁ AG	p HD	p ₃ –	r LL	x ₁ AG
180	1PH8184		484 (19.06)	485 (19.09)	197 (7.76)	258 (10.16)	539 (21.22)	540 (21.26)	230 (9.06)	303 (11.93)	588 (23.15)	574 (22.60)	310 (12.20)	295 (11.61)	–	–	–	–
	1PH8186																	
225	1PH8224		579 (22.80)	577 (22.72)	197 (7.76)	258 (10.16)	634 (24.96)	632 (24.88)	230 (9.06)	303 (11.93)	683 (25.12)	666 (26.22)	310 (12.20)	295 (11.61)	–	–	–	–
	1PH8226																	
	1PH8228																	
280	1PH8284		709 (27.91)	716 (28.19)	197 (7.76)	258 (10.16)	724 (28.5)	731 (28.78)	230 (9.06)	303 (11.93)	770 (30.31)	777 (30.59)	310 (12.20)	295 (11.61)	820 (32.28)	827 (32.56)	377 (14.84)	370 (14.57)
	1PH8286																	318 (12.52)
	1PH8288																	308 (12.13)

Dimensional drawings



Asynchronous motors

Dimensional drawings

1PH8 motors SH 80 to SH 132 – Water cooling

Dimensional drawings

For motor		Dimensions in mm (in)										Standard/ Advanced/ Performance		High Performance/ Hollow shaft encoder	
Shaft height	Type	DIN IEC	a ₁ P	b ₁ N	c ₁ LA	e ₁ M	f AB	f ₁ T	h H	l L	k LB	without hollow shaft		with hollow shaft	
												k LB	k LB	k LB	k LB
1PH8, type of construction IM B5, water cooling															
80	1PH8083		199 (7.83)	130 (5.12)	12 (0.47)	165 (6.50)	155 (6.10)	3.5 (0.14)	77.5 (3.05)	80 (3.15)	301.5 (11.87)	306.3 (12.06)	319.3 (12.57)		
	1PH8087										351.5 (13.84)	356.3 (14.03)	369.3 (14.51)		
100	1PH8101		250 (9.84)	180 (7.09)	16 (0.63)	215 (8.46)	196 (7.72)	4 (0.16)	98 (3.86)	80 (3.15)	289.5 (11.40)	294.5 (11.59)	312.3 (12.30)		
	1PH8103										325 (12.80)	330 (12.99)	347.8 (13.69)		
	1PH8105										384.5 (15.14)	389.5 (15.33)	407.3 (16.04)		
	1PH8107										420 (16.54)	425 (16.73)	442.8 (17.43)		
132	1PH8131		340 (13.39)	250 (9.84)	18 (0.71)	300 (11.81)	260 (10.24)	5 (0.20)	130 (5.12)	110 (4.33)	347.5 (13.68)	355 (13.98)	372.8 (14.68)		
	1PH8133										392.5 (15.45)	400 (15.75)	417.8 (16.45)		
	1PH8135										437.5 (17.22)	445 (17.52)	462.8 (18.22)		
	1PH8137										477.5 (18.80)	485 (19.09)	502.8 (19.80)		
	1PH8138										477.5 (18.80)	485 (19.09)	502.8 (19.80)		

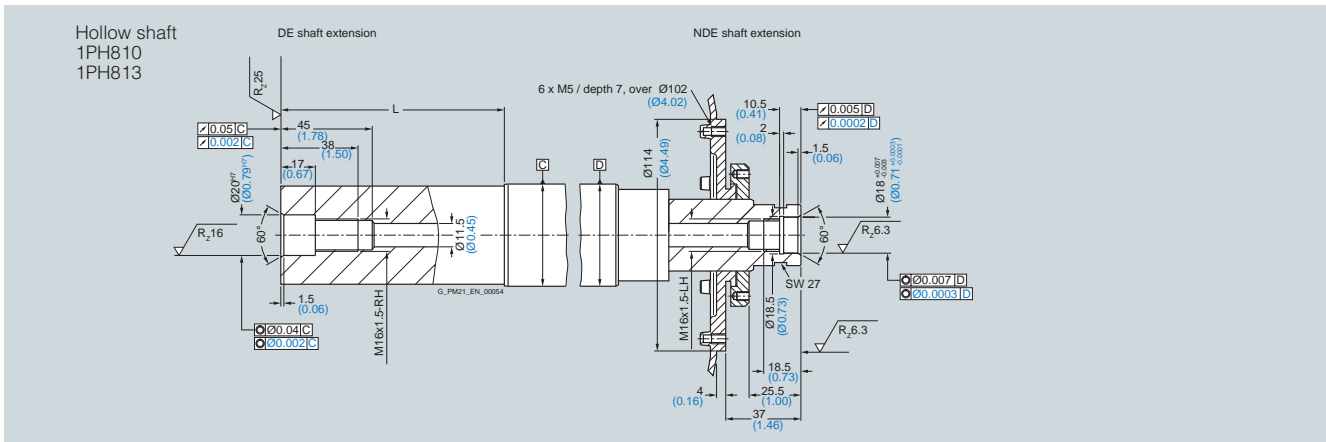
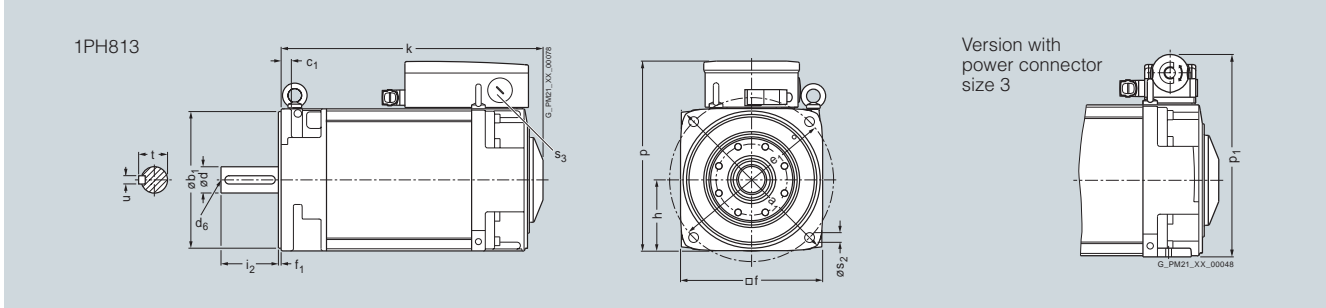
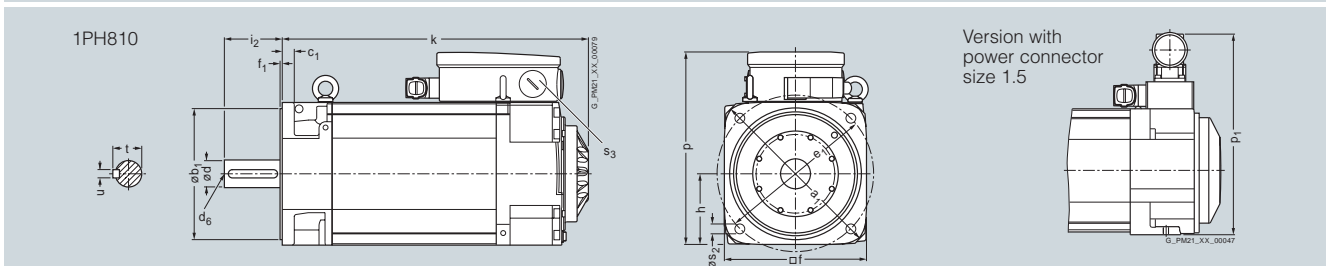
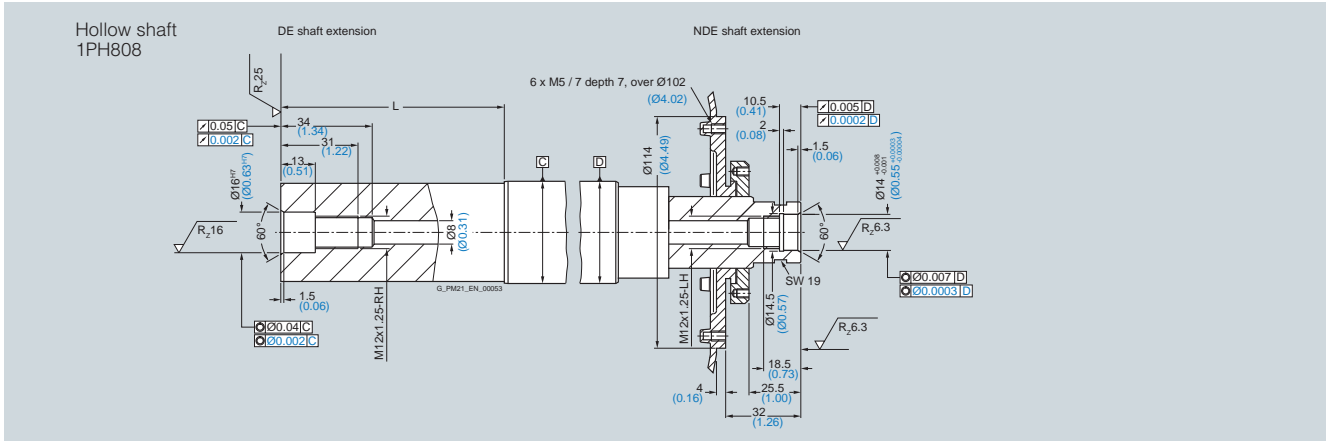
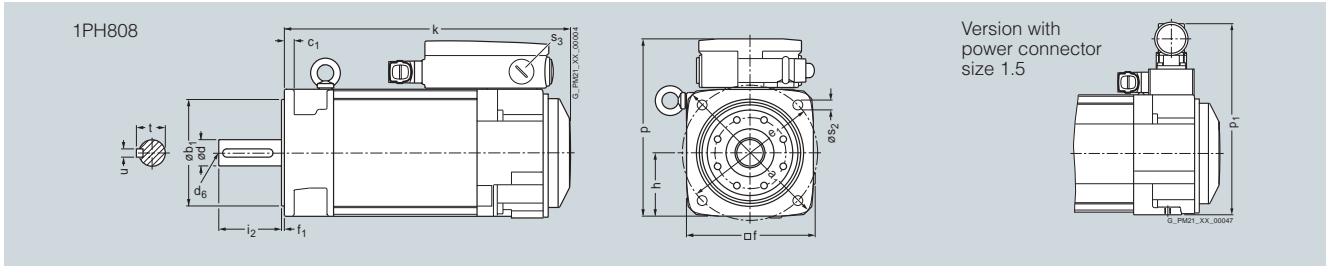
Shaft height	Type	DIN IEC	p HD	p ₁ –	s ₂ –	s ₃ –	DE shaft extension				
							d D	d ₆ –	i ₂ E	t GA	u F
80	1PH8083		213.5 (8.41)	251 (9.88)	12 (0.47)	M25×1.5	32 (1.25)	M12	80 (3.15)	35 (1.38)	10 (0.39)
	1PH8087										
100	1PH8101		264.5 (10.41)	292 (11.50)	14 (0.55)	M32×1.5	38 (1.50)	M12	80 (3.15)	41 (1.61)	10 (0.39)
	1PH8103										
	1PH8105										
	1PH8107										
132	1PH8131		345.5 (13.6)	345 (13.58)	18 (0.71)	M50×1.5	48 (1.89)	M16	110 (4.33)	51.5 (2.03)	14 (0.55)
	1PH8133										
	1PH8135										
	1PH8137										
	1PH8138										

Asynchronous motors

Dimensional drawings

1PH8 motors SH 80 to SH 132 – Water cooling

Dimensional drawings



Asynchronous motors

Dimensional drawings

1PH8 motors SH 100/SH 132 – Water cooling

Dimensional drawings

For motor		Dimensions in mm (in)													Standard/ Advanced/ Performance	High Performance without hollow shaft		with hollow shaft	
Shaft height	Type	DIN IEC	a B	a ₁ P	b A	b ₁ N	c HA	c ₁ LA	e ₁ M	f AB	f ₁ T	h H	l L	k LB	k LB	k LB	m BA		
1PH8, type of construction IM B35, water cooling																			
100	1PH8101		167 (6.57)	250 (9.84)	160 (6.30)	180 (7.09)	11 (0.43)	16 (0.63)	215 (8.46)	196 (7.72)	4 (0.16)	100 (3.94)	80 (3.15)	289.5 (11.40)	294.5 (11.59)	312.3 (12.30)	37 (1.46)		
	1PH8103		202.5 (7.97)											325 (12.80)	330 (12.99)	347.8 (13.69)			
	1PH8105		262 (10.31)											384.5 (15.14)	389.5 (15.33)	407.3 (16.04)			
	1PH8107		297.5 (11.71)											420 (16.54)	425 (16.73)	442.8 (17.43)			
132	1PH8131		220.5 (8.68)	340 (13.39)	216 (8.50)	250 (9.84)	15 (0.59)	18 (0.71)	300 (11.81)	260 (10.24)	5 (0.20)	132 (5.20)	110 (4.33)	347.5 (13.68)	355 (13.98)	372.8 (14.68)	42 (1.65)		
	1PH8133		265.5 (10.45)											392.5 (15.45)	400 (15.75)	417.8 (16.45)			
	1PH8135		310.5 (12.22)											437.5 (17.22)	445 (17.52)	462.8 (18.22)			
	1PH8137		350.5 (13.80)											477.5 (18.8)	485 (19.09)	502.8 (19.80)			
	1PH8138		350.5 (13.80)											477.5 (18.8)	485 (19.09)	502.8 (19.80)			

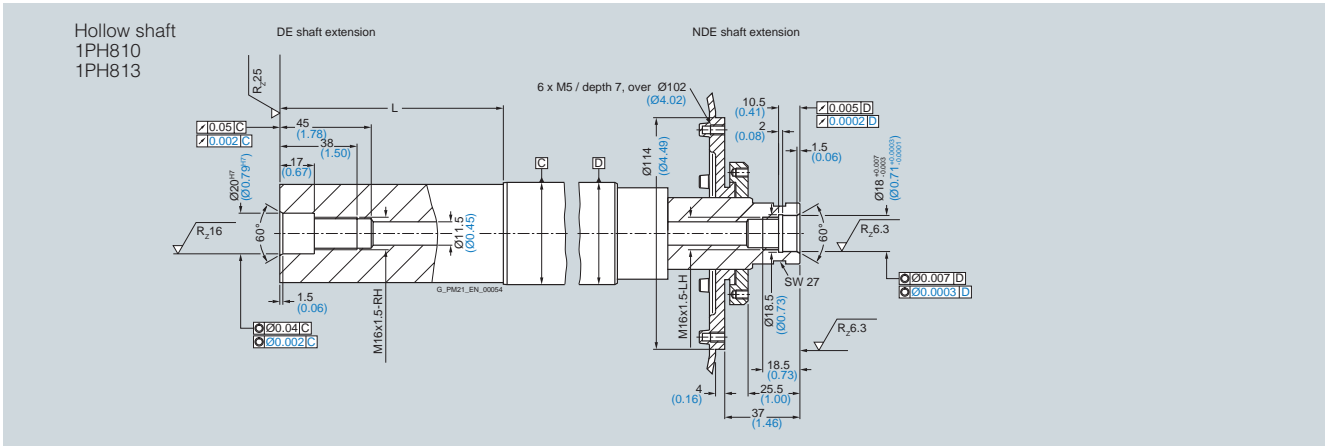
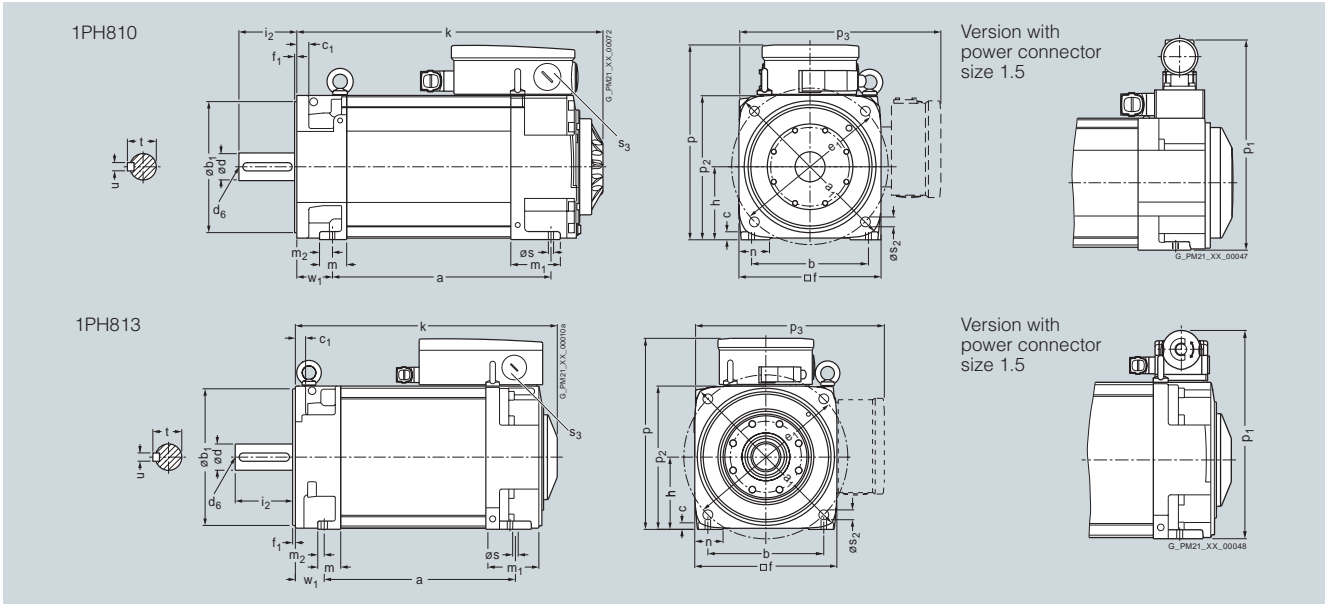
Shaft height	Type	DIN IEC														DE shaft extension				
			m ₁ –	m ₂ –	n AA	p HD	p ₁ –	p ₂ –	p ₃ –	s K	s ₂ –	s ₃ –	w ₁ C	d D	d ₆ –	i ₂ E	t GA	u F		
100	1PH8101		68 (2.68)	12 (0.47)	43 (1.69)	266.5 (10.49)	294 (11.57)	198 (7.80)	276.5 (10.89)	12 (0.47)	14 (0.55)	M32×1.5	43 (1.69)	38 (1.50)	M12	80 (3.15)	41 (1.61)	10 (0.39)		
	1PH8103																			
	1PH8105																			
	1PH8107																			
132	1PH8131		81 (3.19)	12 (0.47)	43 (1.69)	347 (13.66)	347 (13.66)	262 (10.31)	357.5 (14.07)	12 (0.47)	18 (0.71)	M50×1.5	53 (2.09)	48 (1.89)	M16	110 (4.33)	51.5 (2.03)	14 (0.55)		
	1PH8133																			
	1PH8135																			
	1PH8137																			
	1PH8138																			

Asynchronous motors

Dimensional drawings

1PH8 motors
SH 100/SH 132 – Water cooling

Dimensional drawings



Asynchronous motors

Dimensional drawings

1PH8 motors SH 180 to SH 280 – Water cooling

Dimensional drawings

For motor Dimensions in mm (in)

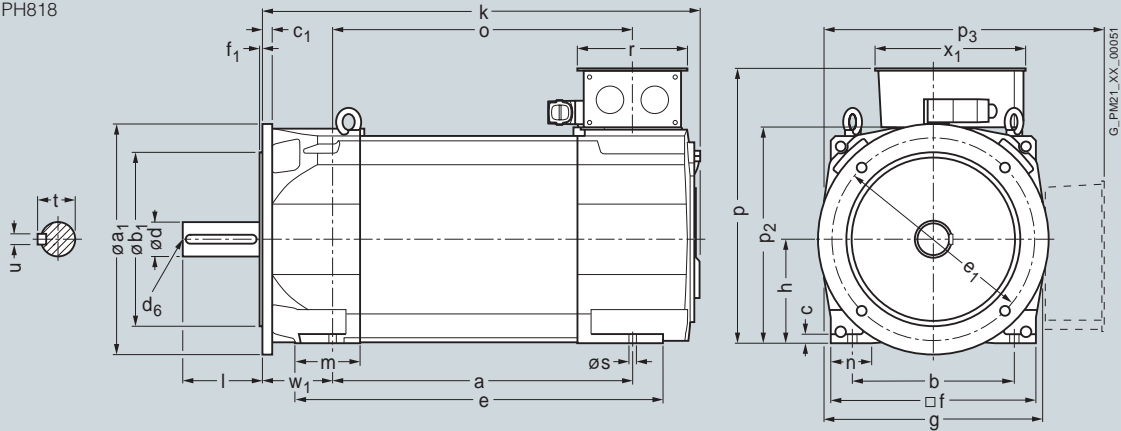
Shaft height	Type	DIN IEC	a B	D400 D450 D550 D660				b A	D400 D450 D550 D660				c HA	c ₁ LA	D400 D450 D550 D660			
				a ₁ P					b ₁ N						e ₁ M			
1PH8, types of construction IM B35/IM B5/IM V15, water cooling																		
180	1PH8184		430 (16.93)	400 (15.75)	450 (17.72)	–	–	279 (10.98)	300 (11.81)	350 (13.78)	–	–	15 (0.59)	16 (0.63)	350 (13.78)	400 (15.75)	–	–
	1PH8186		520 (20.47)															
225	1PH8224		445 (17.52)	–	–	550 (21.65)	–	356 (14.02)	–	–	450 (17.72)	–	18 (0.71)	20 (0.79)	–	–	500 (19.69)	–
	1PH8226		545 (21.46)															
	1PH8228		635 (25.00)															
280	1PH8284		684 (26.93)	–	–	–	660 (26.98)	457 (17.99)	–	–	–	550 (21.65)	21 (0.83)	24 (0.94)	–	–	–	600 (23.62)
	1PH8286		794 (31.26)															
	1PH8288		924 (36.38)															

Shaft height	Type	DIN IEC	f AB	f ₁ T	g AC	h H	i ₂ EB	k LB	m BA	n AA	p ₂ –	s K	w ₁ C	DE shaft extension					
														d D	d ₆ –	l E	t GA	u F	
180	1PH8184		356 (14.02)	5 (0.20)	384 (15.12)	180 (7.09)	125 (4.92)	670 (26.38)	123 (4.84)	73 (2.87)	372 (14.65)	14.5 (0.57)	121 (4.76)	65m6	M20	140 (5.51)	69 (2.72)	18 (0.71)	
	1PH8186							760 (29.92)											
255	1PH8224		446 (17.56)	5 (0.20)	474 (18.66)	225 (8.86)	125 (4.92)	770 (30.31)	144 (5.67)	88 (3.46)	462 (18.19)	18.5 (0.73)	149 (5.87)	75m6	M20	140 (5.51)	79.5 (3.13)	20 (0.79)	
	1PH8226							872 (34.33)											
	1PH8228							962 (37.87)											
280	1PH8284		556 (21.89)	6 (0.24)	588 (23.15)	280 (11.02)	140 (5.51)	1134 (44.65)	220 (8.66)	105 (4.13)	574 (22.60)	24 (0.94)	190 (7.48)	95m6	M24	170 (6.69)	100 (3.94)	25 (0.98)	
	1PH8286							1244 (48.98)											
	1PH8288							1374 (54.09)											

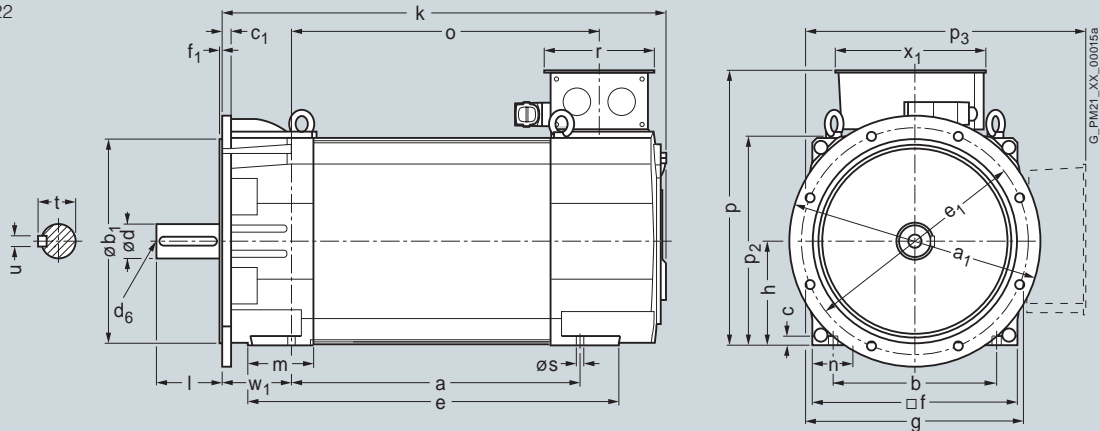
Shaft height	Type	Terminal box type															
		1XB7322				1XB7422				1XB7700				1XB7712			
		p HD	p ₃ –	r LL	x ₁ AG	p HD	p ₃ –	r LL	x ₁ AG	p HD	p ₃ –	r LL	x ₁ AG	p HD	p ₃ –	r LL	x ₁ AG
180	1PH8184	484 (19.06)	485 (19.09)	197 (7.76)	258 (10.16)	539 (21.22)	540 (21.26)	230 (9.06)	303 (11.93)	588 (23.15)	574 (22.60)	310 (12.20)	295 (11.61)	–	–	–	–
	1PH8186																
225	1PH8224	579 (22.80)	577 (22.72)	197 (7.76)	258 (10.16)	634 (24.96)	632 (24.88)	230 (9.06)	303 (11.93)	683 (25.12)	666 (26.22)	310 (12.20)	295 (11.61)	–	–	–	–
	1PH8226																
	1PH8228																
280	1PH8284	709 (27.91)	716 (28.19)	197 (7.76)	258 (10.16)	724 (28.50)	731 (28.78)	230 (9.06)	303 (11.93)	770 (30.31)	777 (30.59)	310 (12.20)	295 (11.61)	820 (32.28)	827 (32.56)	377 (14.84)	370 (14.57)
	1PH8286											318 (12.52)					
	1PH8288											308 (12.13)					

Dimensional drawings

1PH818



1PH822



1PH828

