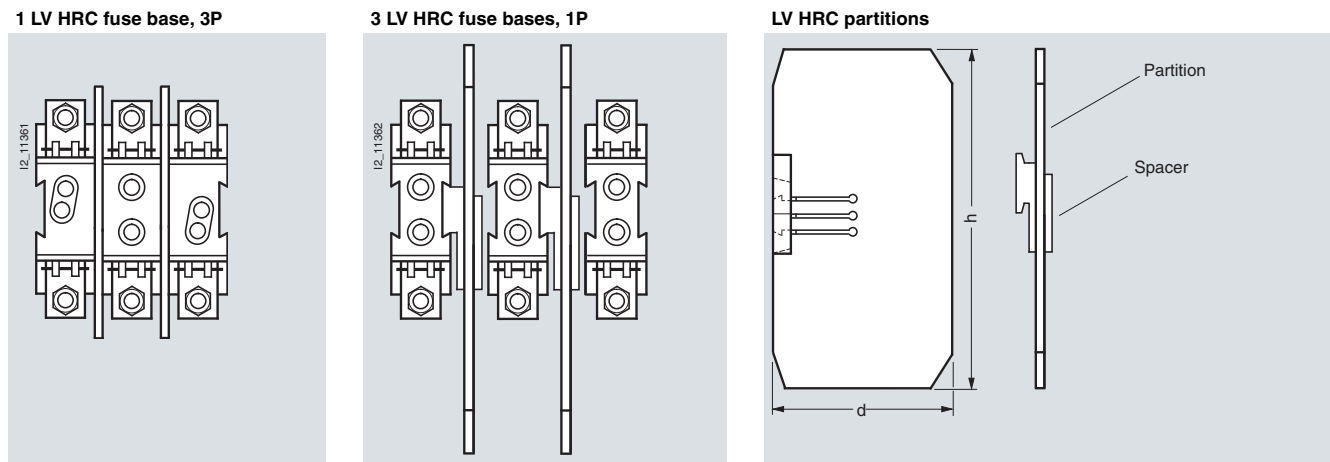


### More information

#### Space requirements when installing LV HRC fuse bases

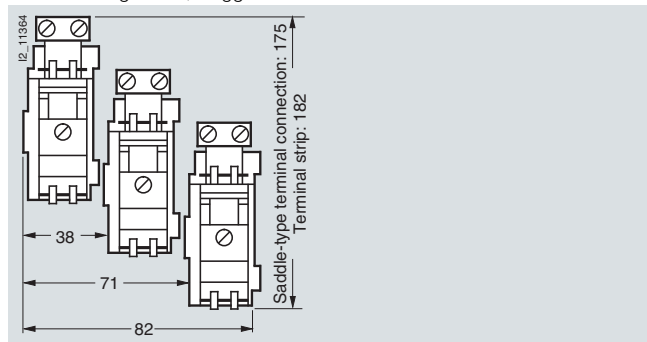


Sizes	Mounting width (mm) of LV HRC fuse bases				Distance through spacer	Mounting height (mm)	Mounting depth (mm)	
	1 unit, 3P		3 units, 1P			3NX2 0.. barriers with matching bases <sup>1)</sup>	h	d
	Bases with phase barrier, without end barrier	Bases with phase barrier and 2 end barriers	Bases with phase barrier, without end barrier	Bases with phase barrier and 2 end barriers				
<b>000/00</b>	102	106	100	104 <sup>2)</sup>	2	138	86	
	For LV HRC bus-mounting bases, see page 3/60				–	114	90	
<b>0</b>	--	--	128	142	7	178	90	
<b>1</b>	163	177	158	172	7	202	110	
<b>2</b>	--	--	184	224	20 <sup>3)</sup>	227	118	
<b>3</b>	--	--	208	272	32 <sup>3)</sup>	242	132	
<b>4</b>	For installation without barriers; for mounting see page 3/60					--	--	
<b>4a</b>	Can only be used in bases with swivel mechanism					--	--	

- 1) This measurement specifies the required overall mounting depth with base d and the overall mounting height h.
- 2) Placing an additional base on the barrier and plug-on part does not increase the distance, rather the bases lie flat directly on top of one another.
- 3) If the bases are installed directly on a side wall in the distribution board, one spacer part can be broken off. This would reduce the distance measurement.

#### Space requirements when installing LV HRC bus-mounting bases

Space requirements for three 1-pole 3NH3 036 and 3NH3 037 LV HRC bus-mounting bases, staggered



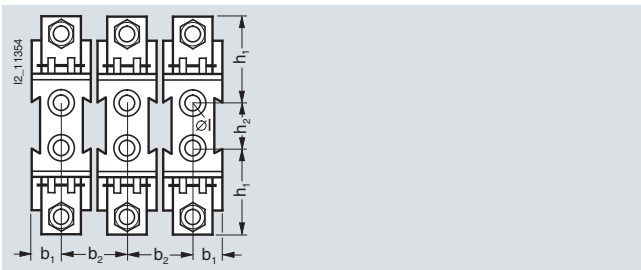
# BETA Protecting Low-Voltage Fuse Systems

## 3NH LV HRC fuse bases

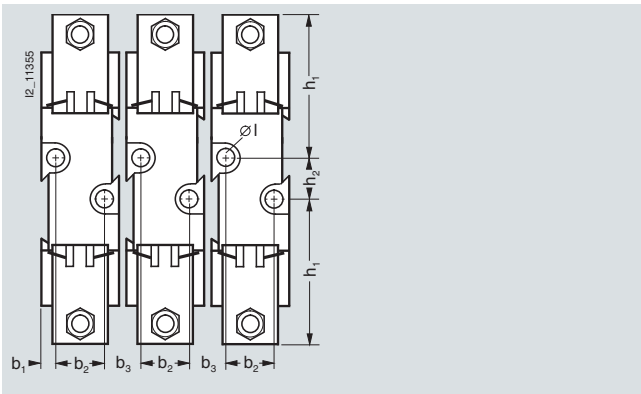
### Drill hole dimensions for base plate mounting

#### LV HRC fuse bases, 3 units, 1P

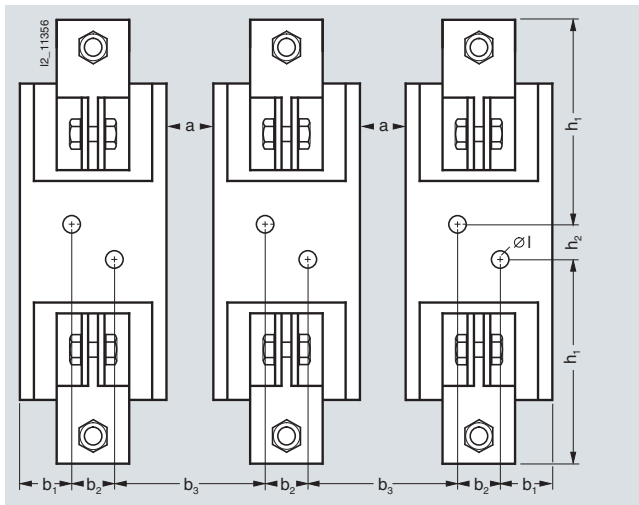
Sizes 000/00 and 0



Sizes 1, 2 and 3



Size 4



Sizes	Type	b <sub>1</sub>	b <sub>2</sub>	b <sub>3</sub>	h <sub>1</sub>	h <sub>2</sub>	l
000/00	3NH3 030, 3NH3 031, 3NH3 032, 3NH3 035, 3NH3 038, 3NH3 050	17	34	--	48	25.5	7.5
0	3NH3 120, 3NH3 122	19	45	--	74	25	7.5
1	3NH3 220, 3NH3 230	9	30	25.5	88	25	10.5
2	3NH3 320, 3NH3 330	9	30	38.5	100	25	10.5
3	3NH3 420, 3NH3 430	9	30	50.5	108	25	10.5
4	3NH3 530	36	30	95	141	25	13

#### Note:

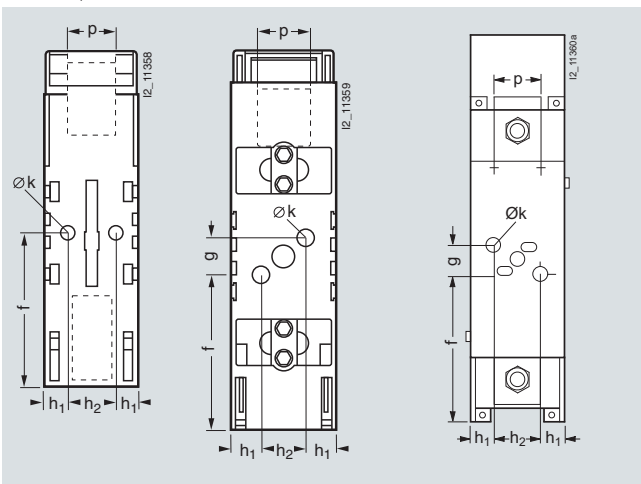
These LV HRC fuse bases are mounted without phase barriers. A minimum clearance of a = 25 mm is required.

#### LV HRC fuse bases with swivel mechanism

Size 000/00

Sizes 1 and 3

Size 4a



Sizes	I <sub>n</sub> A	Type	f	g	h <sub>1</sub>	h <sub>2</sub>	∅ k	p
000/00	160	3NH7 030, 3NH7 031, 3NH7 032	79	--	9.5	25	7	20
1	250	3NH7 230, 3NH7 231, 3NH7 232	102.5	25	19	30	10.5	25
3	630	3NH7 330, 3NH7 331, 3NH7 332	122.5	25	30	30	10.5	40
4a	1250	3NH7 520	170	30	31.5	45	13	50