

Asynchronous motors

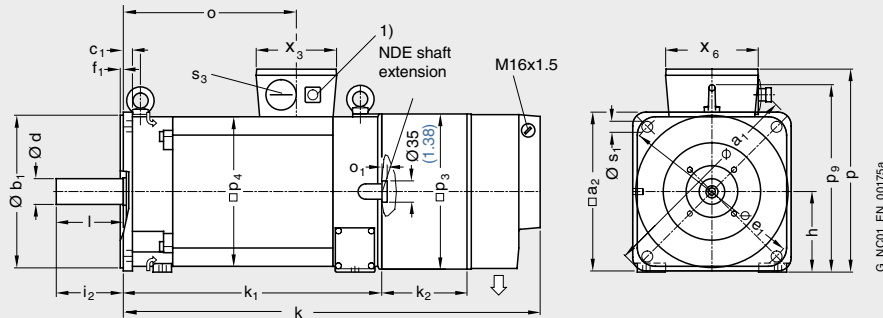
Dimension drawings

1PM6 motors Forced ventilation

For motor		Dimensions in mm (in)														DE shaft extension	
Shaft height	Type	DIN IEC	a ₁ P	a ₂ -	b ₁ N	c ₁ LA	e ₁ M	f ₁ T	h H	i ₂ -	p ₄ AC	s ₁ S	s ₃ -	x ₃ -	x ₆ -	d D	l E
1PM6, type of construction IM B35, forced ventilation																	
100	1PM6101 1PM6105		250 (9.84)	196 (7.72)	180 (7.09)	14 (0.55)	215 (8.46)	4 (0.16)	100 (3.94)	80 (3.15)	190 (7.48)	14 (0.55)	M32x1.5	117 (4.61)	122 (4.80)	38 (1.50)	80 (3.15)
132	1PM6133 1PM6137 1PM6138		350 (13.78)	260 (10.24)	250 (9.84)	15 (0.59)	300 (11.81)	5 (0.20)	132 (5.20)	110 (4.33)	245 (9.65)	18 (0.71)	M40x1.5	132 (5.20)	152 (5.98)	42 (1.65)	110 (4.33)

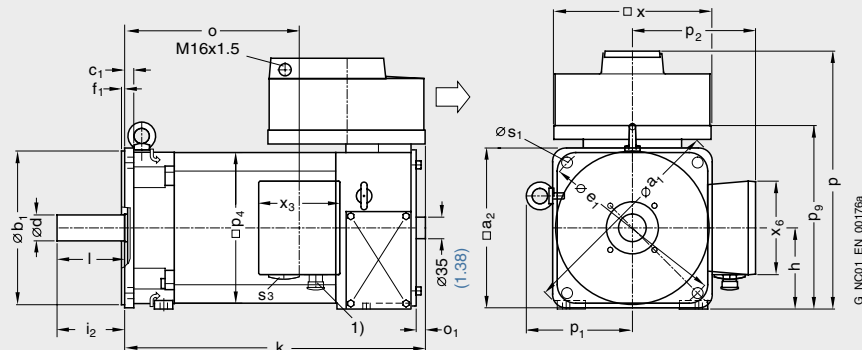
Motor		Dimensions in mm (in)									
Shaft height	Type	DIN IEC	k LB	k ₁ -	k ₂ -	o -	o ₁ -	p HD	p ₃ -	p ₉ -	
With axial fan											
100	1PM6101 1PM6105		614 (24.17) 719 (28.31)	337 (13.27) 442 (17.40)	160 (6.30)	198 (7.80) 304 (11.97)	10 (0.39)	259 (10.20)	195 (7.68)	236 (9.29)	
132	1PM6133 1PM6137 1PM6138		684 (26.93) 804 (31.65) 874 (34.41)	424 (16.69) 544 (21.42) 614 (24.17)	140 (5.51)	284 (11.18) 404 (15.91) 474 (18.66)	-2 (-0.08)	333 (13.11)	254 (10.00)	307 (12.09)	

1PM6 motor with axial fan



Motor		Dimensions in mm (in)								
Shaft height	Type	DIN IEC	k LB	o -	o ₁ -	p HD	p ₁ -	p ₂ -	p ₉ -	x -
With radial fan										
100	1PM6101 1PM6105		389 (15.31) 494 (19.45)	199 (7.83) 304 (11.97)	20 (0.79)	331 (13.03)	133 (5.24)	159 (6.26)	231 (9.09)	190 (7.48)
132	1PM6133 1PM6137 1PM6138		490 (19.29) 610 (24.02) 680 (26.77)	285 (11.22) 405 (15.94) 475 (18.70)	15 (0.59)	420 (16.54)	172 (6.77)	201 (7.91)	302 (11.89)	256 (10.08)

1PM6 motor with radial fan



1) Signal connection