

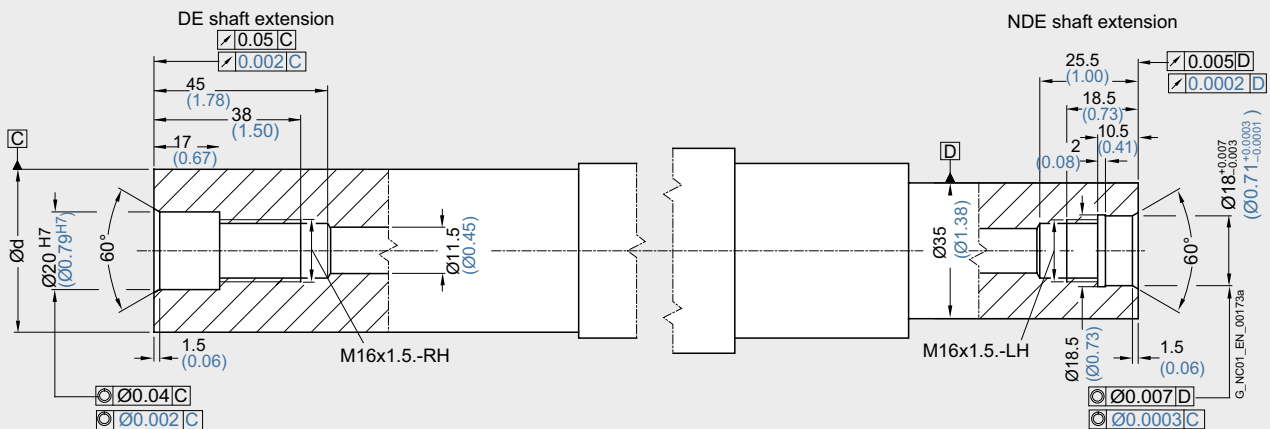
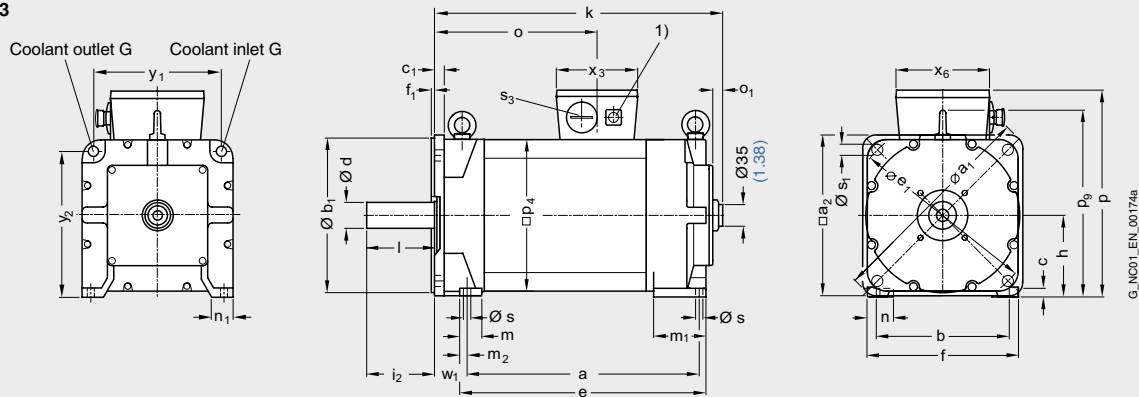
Asynchronous motors Dimension drawings

1PM4 motors Water cooling

| For motor | | Dimensions in mm (in) | | | | | | | | | | | | | | | | | | | |
|---------------------------------------------------------|----------------|-----------------------|-----|------------------|------------------|-----|------------------|------|-------------------|------|------------------|------|------------------|-----|-----|------------------|------|------|------------------|------------------|--|
| Shaft height | Type | DIN IEC | a B | a ₁ P | a ₂ - | b A | b ₁ N | c HA | c ₁ LA | e BB | e ₁ M | f AB | f ₁ T | G - | h H | i ₂ - | k LB | m BA | m ₁ - | m ₂ - | |
| 1PM4, type of construction IM B35, water cooling | | | | | | | | | | | | | | | | | | | | | |
| 100 | 1PM4101 | 304 | 250 | 196 | 160 | 180 | 11 | 12 | 326 | 215 | 190 | 4 | G1/4 | 100 | 80 | 389 | 35 | 60 | 11 | | |
| | 1PM4105 | 409 | | | | | | | 431 | | | | | | | | 494 | | | | |
| 132 | 1PM4133 | 377 | 350 | 260 | 216 | 250 | 14 | 16 | 400 | 300 | 246 | 5 | G3/8 | 132 | 110 | 468 | 36 | 85 | 12 | | |
| | 1PM4137 | 497 | | | | | | | 520 | | | | | | | | 588 | | | | |

| Motor | | Dimensions in mm (in) | | | | | | | | | | | | | | | | | | DE shaft extension | |
|--------------|----------------|-----------------------|------|------------------|-----|------------------|------|-------------------|------------------|-----|------------------|------------------|------------------|----------------|----------------|------------------|------------------|-----|-----|--------------------|--|
| Shaft height | Type | DIN IEC | n AA | n ₁ - | o - | o ₁ - | p HD | p ₄ AC | p ₉ - | s K | s ₁ S | s ₃ - | w ₁ C | x ₃ | x ₆ | y ₁ - | y ₂ - | d D | l E | | |
| 100 | 1PM4101 | 37 | 35 | 199 | 18 | 259 | 190 | 233 | 12 | 14 | M32x1.5 | 44 | 117 | 122 | 154 | 177 | 38 | 80 | | | |
| | 1PM4105 | 304 | | 12 | | | | | | | | | | | | | | | | | |
| 132 | 1PM4133 | 43 | 35 | 264 | 16 | 335 | 245 | 302 | 12 | 18 | M40x1.5 | 53 | 132 | 152 | 206 | 235 | 42 | 110 | | | |
| | 1PM4137 | 384 | | 15.12 | | | | | | | | | | | | | | | | | |

**1PM410
1PM413**



1) Signal connection.