

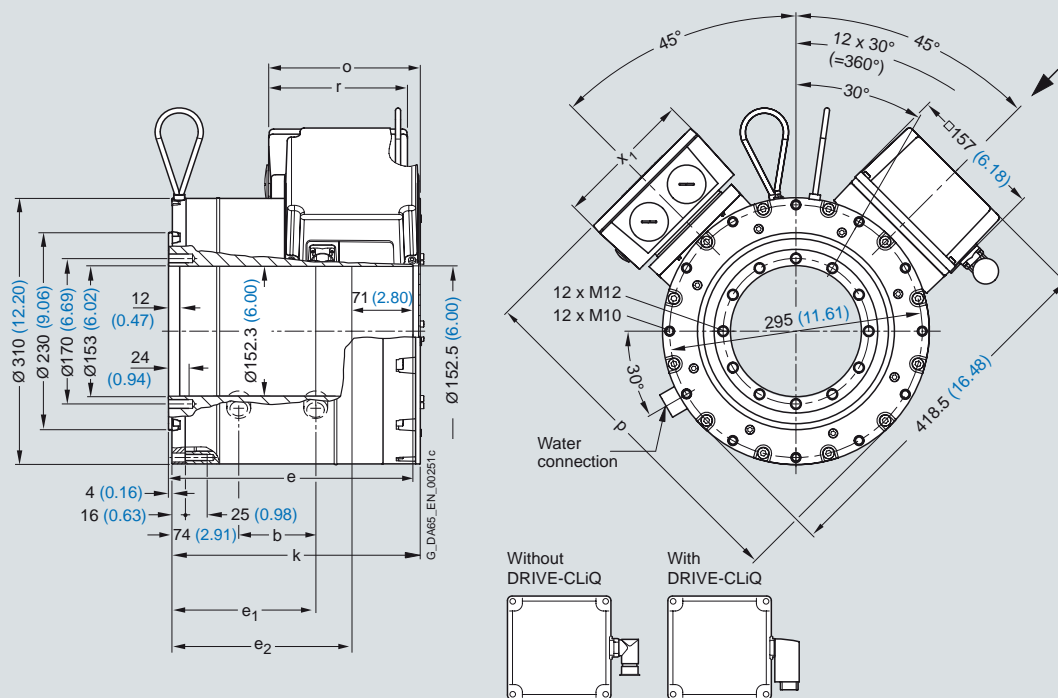
# Direct drives

## Dimensional drawings

### 1FW3 complete torque motors with/without DRIVE-CLiQ – Water cooling

#### Dimensional drawings

For motor		Dimensions in mm (inches)																	
Shaft height	Type	DIN IEC	b	e	e <sub>1</sub>	e <sub>2</sub>	k	Terminal box gk230			Terminal box gk420			Terminal box gk630					
								o	p	r	x <sub>1</sub>	o	p	r	x <sub>1</sub>	o	p	r	x <sub>1</sub>
							L	HD	LL	AG	HD	LL	AG	HD	LL	AG	AG		
<b>1FW3, type of construction IM B14, water cooling, with terminal box, belt-mounted encoder</b>																			
150	1FW3150		68 (2.68)	256 (10.08)	141 (5.55)	185 (7.28)	263 (10.35)	162 (6.38)	393 (15.47)	122 (4.80)	117 (4.61)	179.5 (7.07)	410 (16.14)	162 (6.38)	162 (6.38)	228 (8.98)	427 (16.81)	210 (8.27)	210 (8.27)
	1FW3152		125 (4.92)	313 (12.32)	198 (7.80)	242 (9.53)	320 (12.60)												
	1FW3154		174 (6.85)	362 (14.25)	247 (9.72)	291 (11.46)	369 (14.53)												
	1FW3155		226 (8.90)	414 (16.30)	299 (11.77)	343 (13.50)	421 (16.57)												
	1FW3156		279 (10.98)	467 (18.39)	352 (13.86)	396 (15.59)	474 (18.66)												

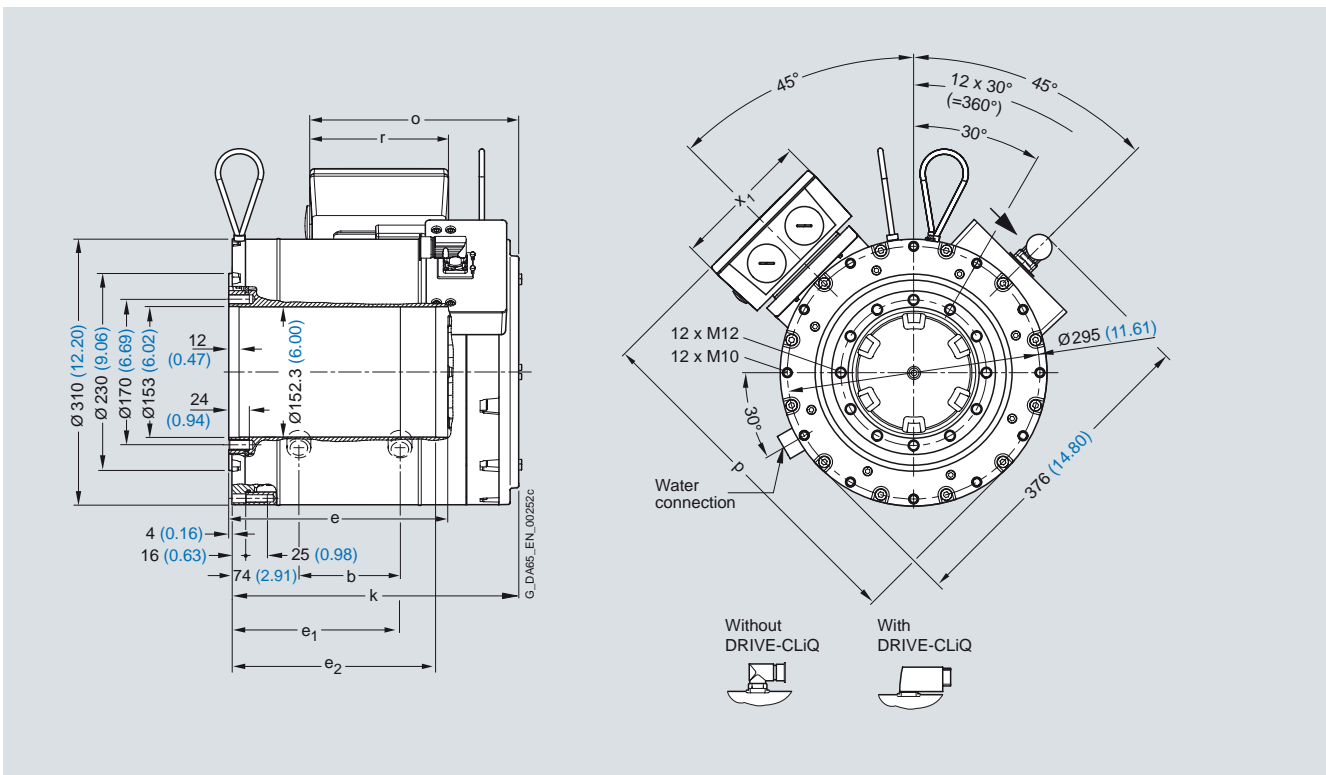


# Direct drives Dimensional drawings

## 1FW3 complete torque motors with/without DRIVE-CLiQ – Water cooling

### Dimensional drawings

For motor		Dimensions in mm (inches)																	
Shaft height	Type	DIN IEC	b	e	e <sub>1</sub>	e <sub>2</sub>	k	Terminal box gk230			Terminal box gk420			Terminal box gk630					
								o	p	r	x <sub>1</sub>	o	p	r	x <sub>1</sub>	o	p	r	x <sub>1</sub>
							L	HD	LL	AG	HD	LL	AG	HD	LL	LL	AG		
<b>1FW3, type of construction IM B14, water cooling, with terminal box, coaxial mounted encoder</b>																			
150	1FW3150		68	199	141	185	277.5	177	393	122	117	194	410	162	162	243	427	210	210
			(2.68)	(7.83)	(5.55)	(7.28)	(10.93)	(6.97)	(15.47)	(4.80)	(4.61)	(7.64)	(16.14)	(6.38)	(6.38)	(9.57)	(16.81)	(8.27)	(8.27)
	1FW3152		125	256	198	242	334.5												
			(4.92)	(10.08)	(7.80)	(9.53)	(13.17)												
	1FW3154		174	305	247	291	383.5												
			(6.85)	(12.01)	(9.72)	(11.46)	(15.10)												
	1FW3155		226	357	299	343	435.5												
			(8.90)	(14.06)	(11.77)	(13.50)	(17.15)												
	1FW3156		279	410	352	396	488.5												
			(10.98)	(16.14)	(13.86)	(15.59)	(19.23)												



# Direct drives

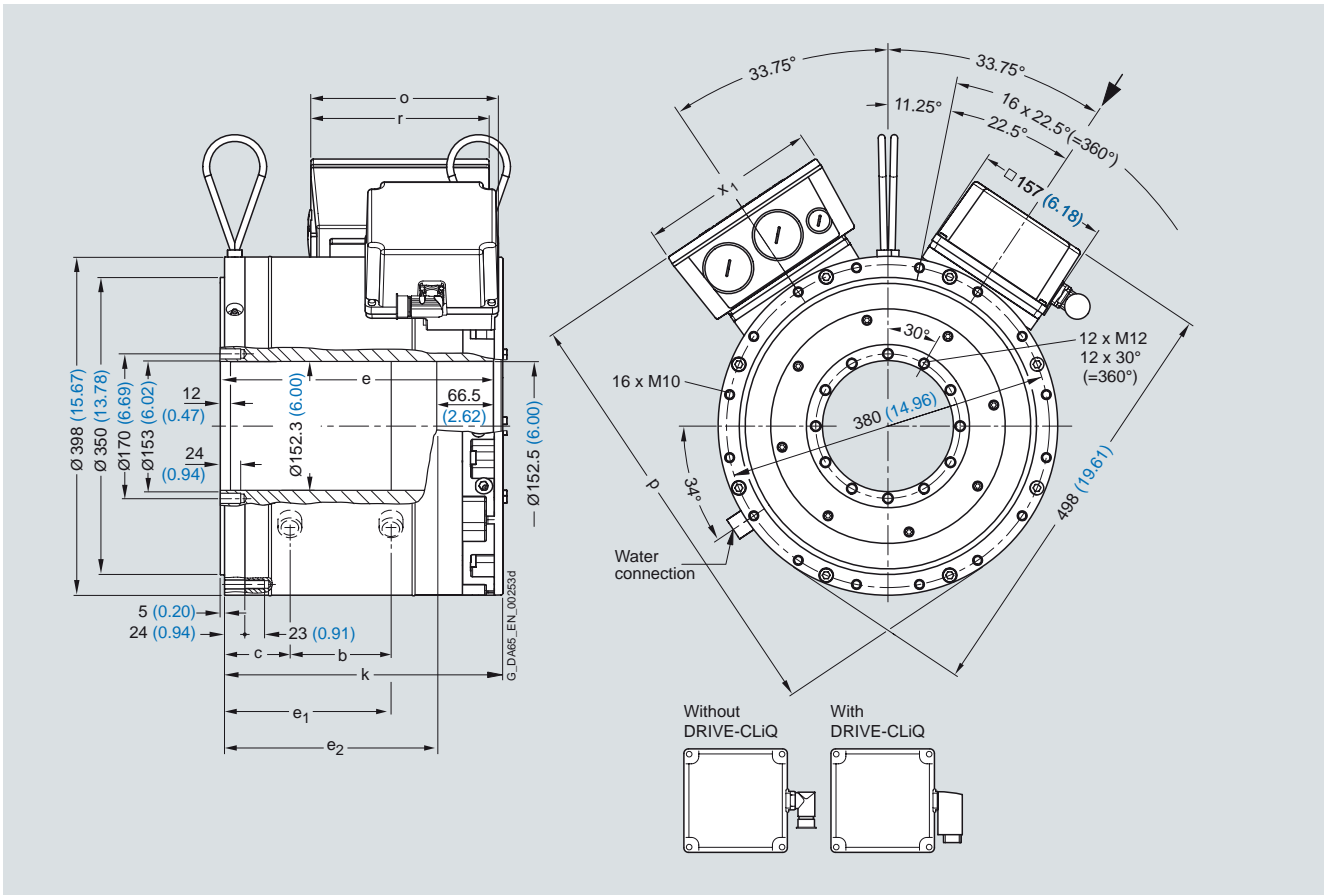
## Dimensional drawings

### 1FW3 complete torque motors with/without DRIVE-CLiQ – Water cooling

#### Dimensional drawings

For motor		Dimensions in mm (inches)										Terminal box gk230			Terminal box gk420			Terminal box gk630			
Shaft height	Type	DIN IEC	b	c	e	e <sub>1</sub>	e <sub>2</sub>	k	o	p	r	x <sub>1</sub>	o	p	r	x <sub>1</sub>	o	p	r	x <sub>1</sub>	
			C	C	-	-	-	L	-	HD	LL	AG	-	HD	LL	AG	-	HD	LL	AG	
<b>1FW3, type of construction IM B14, water cooling, with terminal box, belt-mounted encoder</b>																					
200	1FW3201	48.5	67.5	229	120	162.5	235.5	158	474	122	117	175	490	162	162	226	508	210	210		
		(1.91)	(2.66)	(9.02)	(4.72)	(6.40)	(9.27)	(6.22)	(18.66)	(4.80)	(4.61)	(6.89)	(19.29)	(6.38)	(6.38)	(8.90)	(20.00)	(8.27)	(8.27)		
	1FW3202	94.5	67.5	275	166	208.5	281.5														
		(3.72)	(2.66)	(10.83)	(6.54)	(8.21)	(11.08)														
	1FW3203	137	69.5	321.5	212	255	328														
		(5.39)	(2.74)	(12.66)	(8.35)	(10.04)	(12.91)														
	1FW3204	206	69.5	390.5	281	324	397														
		(8.11)	(2.74)	(15.37)	(11.06)	(12.76)	(15.63)														
	1FW3206	298.5	69.5	483	374	416.5	489.5														
		(11.75)	(2.74)	(19.02)	(14.72)	(16.40)	(19.27)														
	1FW3208	413.5	69.5	598	489	531.5	604.5														
		(16.28)	(2.74)	(23.54)	(19.25)	(20.93)	(23.80)														

6

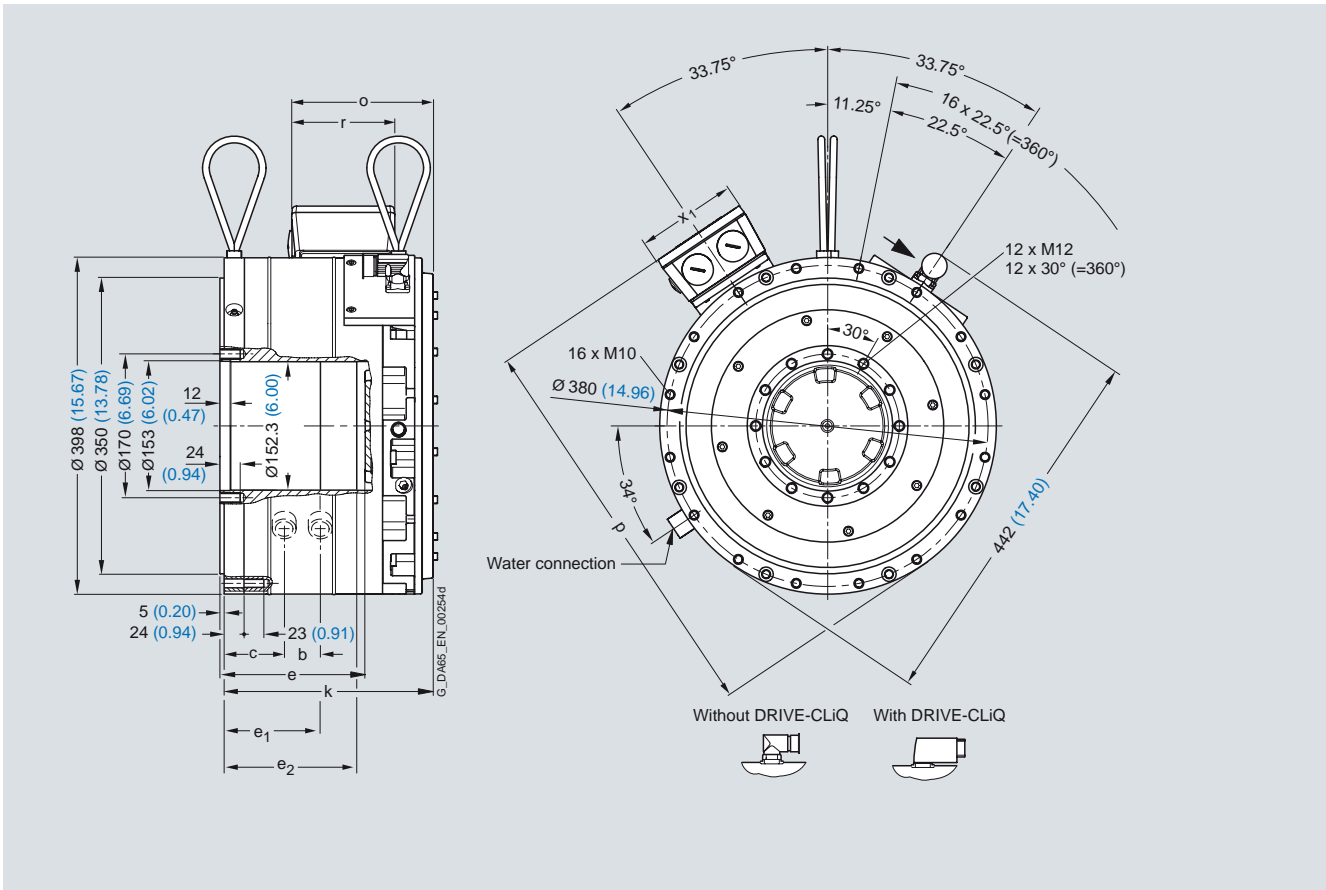


# Direct drives Dimensional drawings

## 1FW3 complete torque motors with/without DRIVE-CLiQ – Water cooling

### Dimensional drawings

For motor		Dimensions in mm (inches)																			
Shaft height	Type	DIN IEC	Terminal box gk230						Terminal box gk420						Terminal box gk630						
			b	c	e	e <sub>1</sub>	e <sub>2</sub>	k	o	p	r	x <sub>1</sub>	o	p	r	x <sub>1</sub>	o	p	r	x <sub>1</sub>	
			-	C	-	-	L	-	HD	LL	AG	-	HD	LL	AG	-	HD	LL	AG		
<b>1FW3, type of construction IM B14, water cooling, with terminal box, coaxial mounted encoder</b>																					
200	1FW3201		48.5 (1.91)	67.5 (2.66)	172 (6.77)	120 (4.72)	162.5 (6.40)	247.5 (9.74)	170.5 (6.71)	474 (18.66)	122 (4.80)	117 (4.61)	188 (7.40)	490 (19.29)	162 (6.38)	162 (6.38)	239 (9.41)	508 (20.00)	210 (8.27)	210 (8.27)	
	1FW3202		94.5 (3.72)	67.5 (2.66)	218 (8.58)	166 (6.54)	208.5 (8.21)	293.5 (11.56)													
	1FW3203		137 (5.39)	69.5 (2.74)	264.5 (10.41)	212 (8.35)	255 (10.04)	340 (13.39)													
	1FW3204		206 (8.11)	69.5 (2.74)	333.5 (13.13)	281 (11.06)	324 (12.76)	409 (16.10)													
	1FW3206		298.5 (11.75)	69.5 (2.74)	426 (16.77)	374 (14.72)	416.5 (16.40)	501.5 (19.74)													
	1FW3208		413.5 (16.28)	69.5 (2.74)	541 (21.30)	489 (19.25)	531.5 (20.93)	616.5 (24.27)													



# Direct drives

## Dimensional drawings

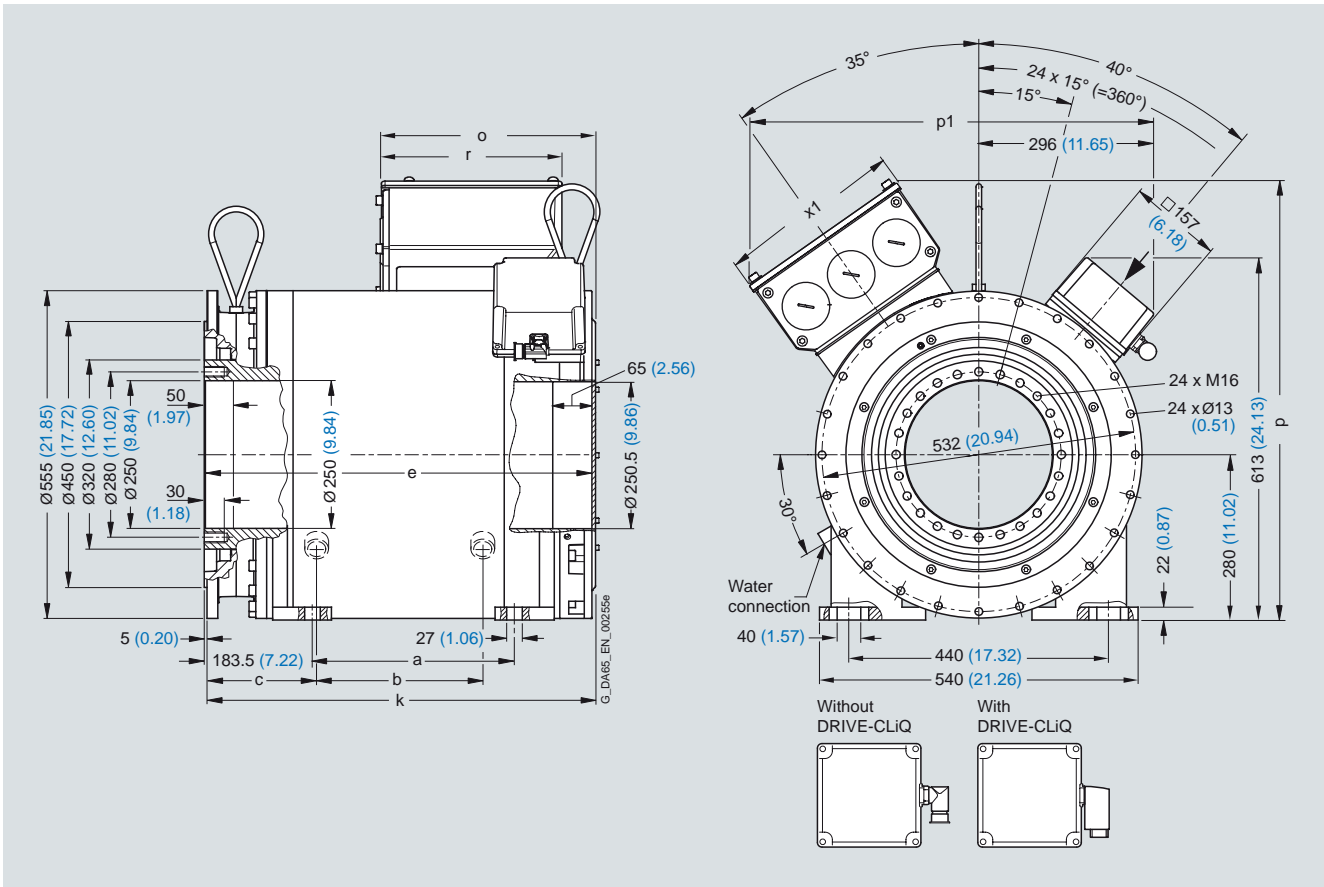
### 1FW3 complete torque motors with/without DRIVE-CLiQ – Water cooling

#### Dimensional drawings

For motor Dimensions in mm (inches)

Shaft height	Type	DIN IEC	Terminal box 1XB7700						Terminal box 1XB7712								
			a B	b -	c C	e -	k L	o -	p HD	p <sub>1</sub> -	r LL	x <sub>1</sub> AG	o -	p HD	p <sub>1</sub> -	r LL	x <sub>1</sub> AG
<b>1FW3, type of construction IM B35, water cooling, with terminal box, belt-mounted encoder</b>																	
280	1FW3281		258 (10.16)	217 (8.54)	174 (6.85)	571 (22.48)	574 (22.60)	363 (14.29)	743 (29.25)	684 (26.93)	306 (12.05)	306 (12.05)	385 (15.16)	846 (33.31)	777 (30.59)	371 (14.61)	371 (14.61)
	1FW3283		342.5 (13.48)	301.5 (11.87)		655.5 (25.81)	658.5 (25.93)										
	1FW3285		468.5 (18.44)	427.5 (16.83)		781.5 (30.77)	784.5 (30.89)										
	1FW3287		637 (25.08)	596 (23.46)		950 (37.40)	953 (37.52)										

6



# Direct drives Dimensional drawings

## 1FW3 complete torque motors with/without DRIVE-CLiQ – Water cooling

### Dimensional drawings

For motor Dimensions in mm (inches)

Shaft height	Type	DIN IEC	Terminal box 1XB7700						Terminal box 1XB7712								
			a B	b -	c C	e -	k L	o -	p HD	p <sub>1</sub> -	r LL	x <sub>1</sub> AG	o -	p HD	p <sub>1</sub> -	r LL	x <sub>1</sub> AG
<b>1FW3, type of construction IM B35, water cooling, with terminal box, coaxial mounted encoder</b>																	
280	1FW3281		258 (10.16)	217 (8.54)	174 (6.85)	514 (20.24)	599.5 (23.60)	389 (15.31)	743 (29.25)	665 (26.18)	306 (12.05)	306 (12.05)	411 (16.18)	846 (33.31)	758 (29.84)	371 (14.61)	371 (14.61)
	1FW3283		342.5 (13.48)	301.5 (11.87)		598.5 (23.56)	684 (26.93)										
	1FW3285		468.5 (18.44)	427.5 (16.83)		724.5 (28.52)	810 (31.89)										
	1FW3287		637 (25.08)	596 (23.46)		893 (35.16)	978.5 (38.52)										

